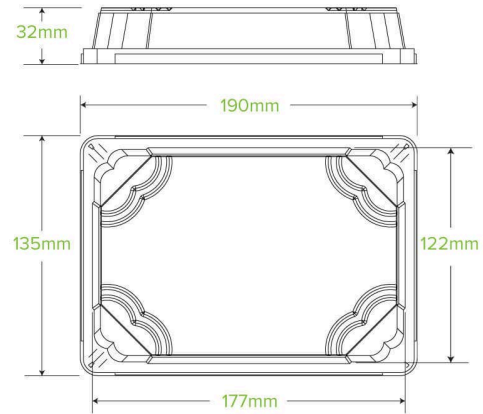


Medium Plant Fibre Sushi Tray PET Lid B-STL-MEDIUM-PET



Compatible with our medium plant fibre sushi trays, this PET lid keeps sushi fresh and visually appealing, providing a secure and stylish seal that's perfect for deliveries or takeaways. It is recyclable if not contaminated by food.

Carton quantity: 600	Sleeves per carton: 12	Units per sleeve: 50
Carton Size LxWxH (cm): 67.5x39x30	Carton gross weight (kg): 8.050000	Raw material: Plastic - PET (Polyethylene Terephthalate)
Lining/coating: Anti-fog	Window material: None	Printing Type: None
Inks: None	Dimensions top LxW (mm): 193x135	Dimensions base LxW (mm): 169x93
Product Depth: 32	Product weight (g): 12.7	Thickness: 0.32
Use: Cold, Wet & Dry Products	Manufactured: Taiwan	Customise: Sleeve print
MOQ custom: 1000000	Mould fees: Yes - see custom packaging	Environmental production certified: ISO 14001
Facility Quality Systems: No	Factory food safety certified: ISO 22000	Corporate social accreditation: SMETA
Home compostable: No	Industrially compostable: No	Recyclable: Yes