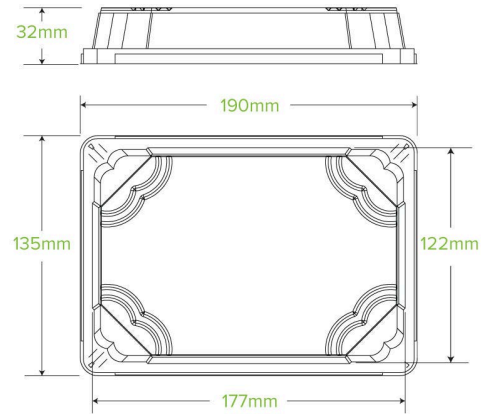


## Medium PLA Sushi Tray Lid B-STL-MEDIUM



Compatible with our medium plant fibre sushi trays, these lids keep sushi fresh and visually appealing, providing a secure and stylish seal that's perfect for deliveries or takeaways. Note: For cold use only. PLA softens in higher temperatures. Store below 35°C and out of direct sunlight. Refer to our [PLA Care Guide](#).

<b>Carton quantity:</b> 600	<b>Sleeves per carton:</b> 12	<b>Units per sleeve:</b> 50
<b>Carton Size LxWxH (cm):</b> 67.5x39x30	<b>Carton gross weight (kg):</b> 6.900000	<b>Carton barcode:</b> 19344062044625
<b>Raw material:</b> Bioplastic - PLA	<b>Lining/coating:</b> None	<b>Window material:</b> None
<b>Printing Type:</b> None	<b>Inks:</b> None	<b>Dimensions top LxW (mm):</b> 193x135
<b>Dimensions base LxW (mm):</b> 169x93	<b>Product Depth:</b> 32	<b>Product weight (g):</b> 9.8
<b>Use:</b> Cold, Wet & Dry Products	<b>Manufactured:</b> Taiwan	<b>Customise:</b> None
<b>MOQ custom:</b> 1000000	<b>Mould fees:</b> Yes - see custom packaging	<b>Environmental production certified:</b> ISO 14001
<b>Facility Quality Systems:</b> No	<b>Factory food safety certified:</b> ISO 22000	<b>Corporate social accreditation:</b> SMETA
<b>Home compostable:</b> No	<b>Industrially compostable:</b> Certified to AS4736 Australian Standards, Certified to EN13432 European Standards	<b>Recyclable:</b> No