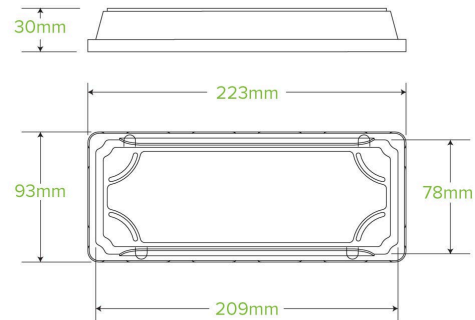


Long PLA Sushi Tray Lid B-STL-LONG



Compatible with our long plant fibre sushi trays, these lids keep sushi fresh and visually appealing, providing a secure and stylish seal that's perfect for deliveries or takeaways. Note: For cold use only. PLA softens in higher temperatures. Store below 35°C and out of direct sunlight. Refer to our [PLA Care Guide](#).

Carton quantity: 600	Sleeves per carton: 12	Units per sleeve: 50
Carton Size LxWxH (cm): 67.5x39.5x25	Carton gross weight (kg): 5.900000	Carton barcode: 19344062044649
Raw material: Bioplastic - PLA	Lining/coating: None	Window material: None
Printing Type: None	Inks: None	Dimensions top LxW (mm): 223x93
Dimensions base LxW (mm): 169x93	Product Depth: 30	Product weight (g): 8.15
Use: Cold, Wet & Dry Products	Manufactured: Taiwan	Customise: None
MOQ custom: 1000000	Mould fees: Yes - see custom packaging	Environmental production certified: ISO 14001
Facility Quality Systems: No	Factory food safety certified: ISO 22000	Corporate social accreditation: SMETA
Home compostable: No	Industrially compostable: Certified to AS4736 Australian Standards, Certified to EN13432 European Standards	Recyclable: No