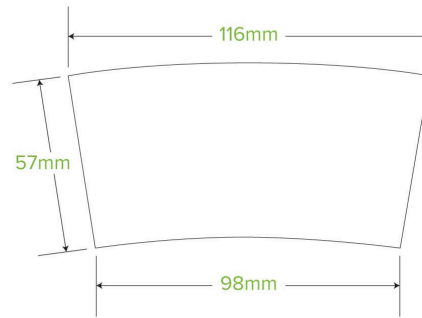


8oz (80mm) Paper Cup Sleeve BCS-8



Our small paper coffee cup sleeves are made from premium paperboard and are both home compostable/recyclable. They are an eco-friendly choice compared to double-cupping hot drinks.

Carton quantity: 1000	Sleeves per carton: 10	Units per sleeve: 100
Carton Size LxWxH (cm): 32x25.5x32.5	Carton gross weight (kg): 4.500000	Carton barcode: 19344062028366
Raw material: Paper - FSC™ Recycled	Lining/coating: None	Window material: None
Printing Type: Offset	Inks: None	Dimensions top LxW (mm): 80x80
Dimensions base LxW (mm): 65x65	Product weight (g): 4.01	Thickness: 270gsm
Use: Dry Contents Only, Hot or Cold	Manufactured: China	Customise: Print
MOQ custom: 30000	Mould fees: No	Environmental production certified: ISO 14001
Facility Quality Systems: ISO 9001	Factory food safety certified: BRC	Corporate social accreditation: SMETA
Home compostable: No	Industrially compostable: No	Recyclable: Yes - If Not Contaminated By Food