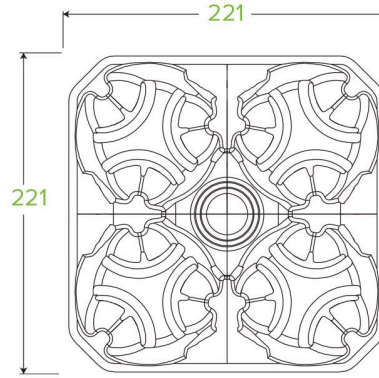


4-Cup Pulp BioCup Tray B-CC-832



Our 4 cup holder is made from 100% recycled paper pulp. This 4 drink cup carrier is suitable for clear and paper cups from 6oz to 22oz. Home compostable and recyclable.

Carton quantity: 300	Sleeves per carton: 4	Units per sleeve: 75
Carton Size LxWxH (cm): 44.3x44.3x33.1	Carton gross weight (kg): 13.350000	Carton barcode: 19344062000300
Raw material: Paper - FSC™ Recycled	Lining/coating: None	Window material: None
Printing Type: None	Inks: None	Dimensions top LxW (mm): 220x220
Product Depth: 48	Product weight (g): 42	Use: Dry Contents Only, Hot or Cold
Manufactured: China	Customise: None	MOQ custom: N/A
Mould fees: No	Facility Quality Systems: ISO 9001	Factory food safety certified: No Certification
Corporate social accreditation: SMETA	Home compostable: No	Industrially compostable: No
Recyclable: Yes - If Not Contaminated By Food		