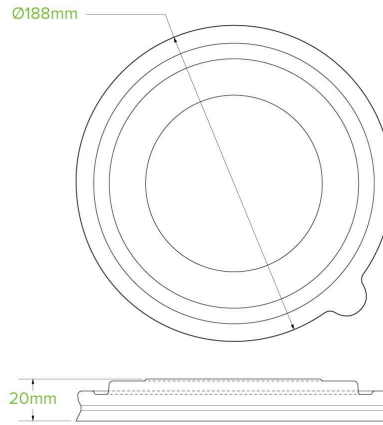


## 1,300ml PLA Kraft BioBowl Lid BB-BLL-184-PLA



These PLA clear lids are designed to fit our wider 1300ml kraft bowls which are ideal for poke bowls, salad bowls and more. Note: For cold use only. PLA softens in higher temperatures. Store below 35°C and out of direct sunlight. Refer to our [PLA Care Guide](#).

<b>Carton quantity:</b> 200	<b>Sleeves per carton:</b> 8	<b>Units per sleeve:</b> 25
<b>Carton Size LxWxH (cm):</b> 41x42x40	<b>Carton gross weight (kg):</b> 6.000000	<b>Carton barcode:</b> 19344062052187
<b>Raw material:</b> Bioplastic - PLA	<b>Lining/coating:</b> None	<b>Window material:</b> None
<b>Printing Type:</b> None	<b>Inks:</b> None	<b>Dimensions top LxW (mm):</b> 184x184
<b>Dimensions base LxW (mm):</b> 184x184	<b>Product Depth:</b> 20	<b>Product weight (g):</b> 25
<b>Use:</b> Cold, Wet & Dry Products	<b>Manufactured:</b> China	<b>Customise:</b> Emboss
<b>MOQ custom:</b> 50000	<b>Mould fees:</b> Yes - see custom packaging	<b>Environmental production certified:</b> ISO 14001
<b>Facility Quality Systems:</b> ISO 9001	<b>Factory food safety certified:</b> BRC, ISO 22000	<b>Corporate social accreditation:</b> SMETA
<b>Home compostable:</b> No	<b>Industrially compostable:</b> Certified to AS4736 Australian Standards, Certified to EN13432 European Standards	<b>Recyclable:</b> No