



BALL VALVE WATERMARKED LILAC

WPEMRW

Series

Specifications

- Working temperature -20°C to 60°C
- Max. pressure rating 1600kPa

Features

- DR Brass handle
- Watermark approved
- Full Bore
- 100% pressure tested
- No disassembly required, pipe can be inserted without disassembling the fitting
- Triple lip seal
- No fidly thimbles or grab rings
- Spare parts available



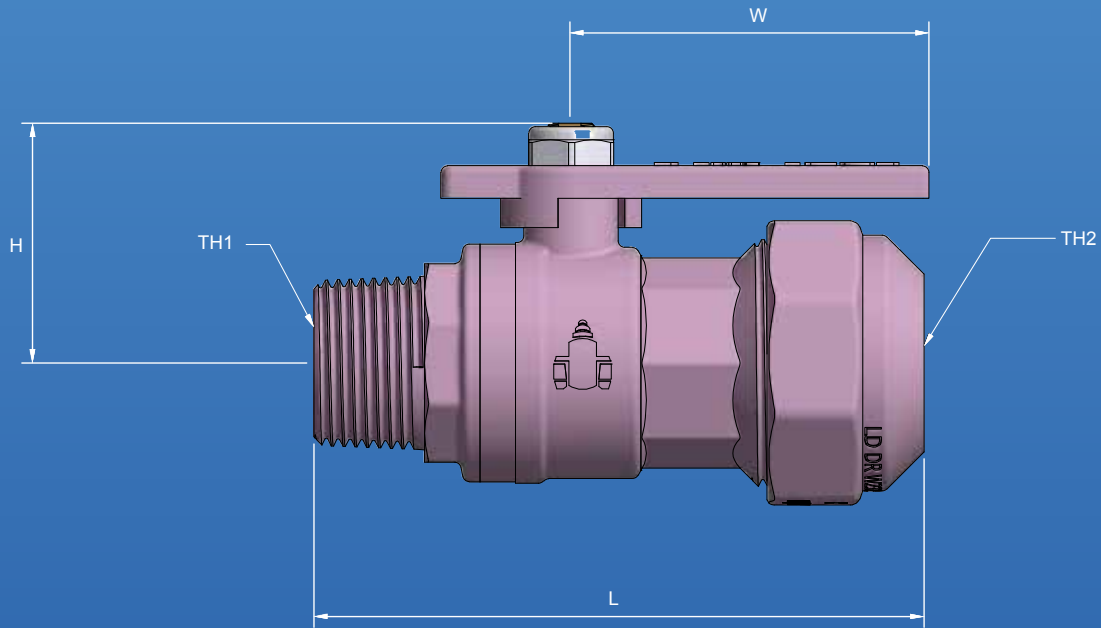
Austworld
PO Box 311
Ashmore City
QLD 4214

P: 1300 780 430
F: 1300 780 441
E: info@austworld.com.au
W: www.austworld.com.au





BALL VALVE WATERMARKED LILAC



Sizing Chart MM

	L	H	W	TH1	TH2
WPE2025MRW	94	37	55	Rp 3/4"	25PE
WPE2532MRW	107	41	55	Rp 1"	32PE

Material Chart

Part	Material
Body	DR Brass
Body Nut	DR Brass
Spindle	SS 316
Ball	SS 316
Handle	DR Brass
Lock Nut	SS 316
Cap	DR Brass



Austworld
PO Box 311
Ashmore City
QLD 4214

P: 1300 780 430
F: 1300 780 441
E: info@austworld.com.au
W: www.austworld.com.au

