



BALL VALVE WATERMARKED LOCKABLE

WPEFL

Series

Specifications

- Working temperature -20°C to 60°C
- Max. pressure rating 1600kPa

Features

- DR Brass handle
- Watermark approved
- Full Bore
- 100% pressure tested
- No disassembly required, pipe can be inserted without disassembling the fitting
- Triple lip seal
- No fiddy thimbles or grab rings
- Spare parts available



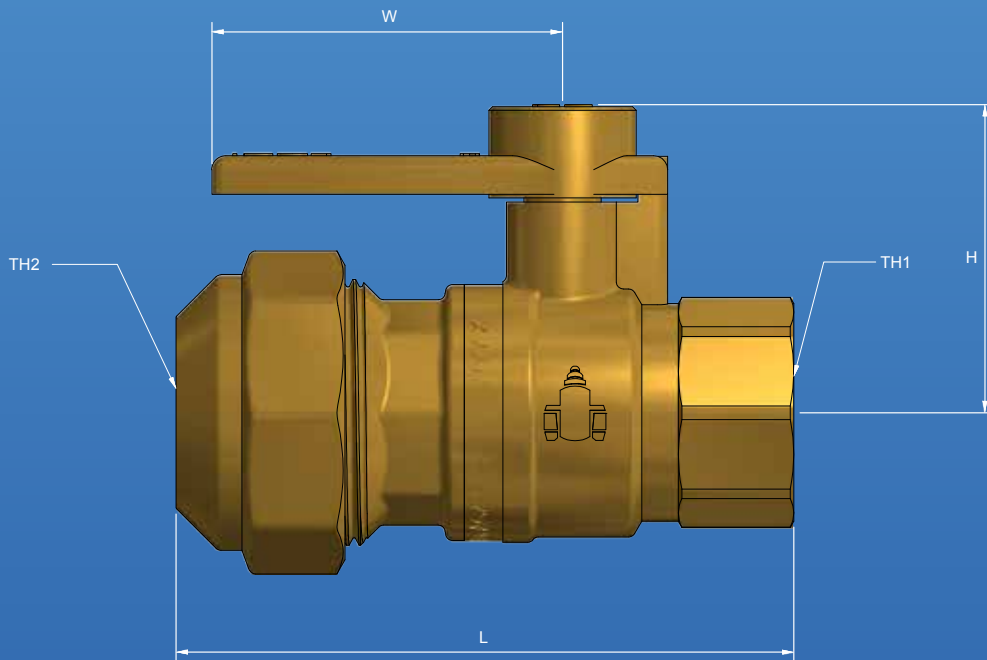
Austworld
PO Box 311
Ashmore City
QLD 4214

P: 1300 780 430
F: 1300 780 441
E: info@austworld.com.au
W: www.austworld.com.au





BALL VALVE WATERMARKED LOCKABLE



Sizing Chart MM

	L	H	W	TH1	TH2
WPE2025FL	88	44	50	Rp 3/4"	25PE
WPE2532FL	100	50	56	Rp 1"	32PE

Material Chart

Part	Material
Body	DR Brass
Body Nut	DR Brass
Spindle	SS 316
Ball	SS 316
Seal	PTFE
O Ring	Viton
Handle	DR Brass
Retaining Ring	POM
Pipe Seal	EDPM
Handle Nut	SS 316



Austworld
PO Box 311
Ashmore City
QLD 4214

P: 1300 780 430
F: 1300 780 441
E: info@austworld.com.au
W: www.austworld.com.au

