



# BALL VALVE WATERMARKED POLY TO FEMALE

## WPEF

Series

### Specifications

- Working temperature -20°C to 60°C
- Max. pressure rating 1600kPa

### Features

- DR Brass handle
- Watermark approved
- Full Bore
- 100% pressure tested
- No disassembly required, pipe can be inserted without disassembling the fitting
- Triple lip seal
- No fidly thimbles or grab rings
- Spare parts available



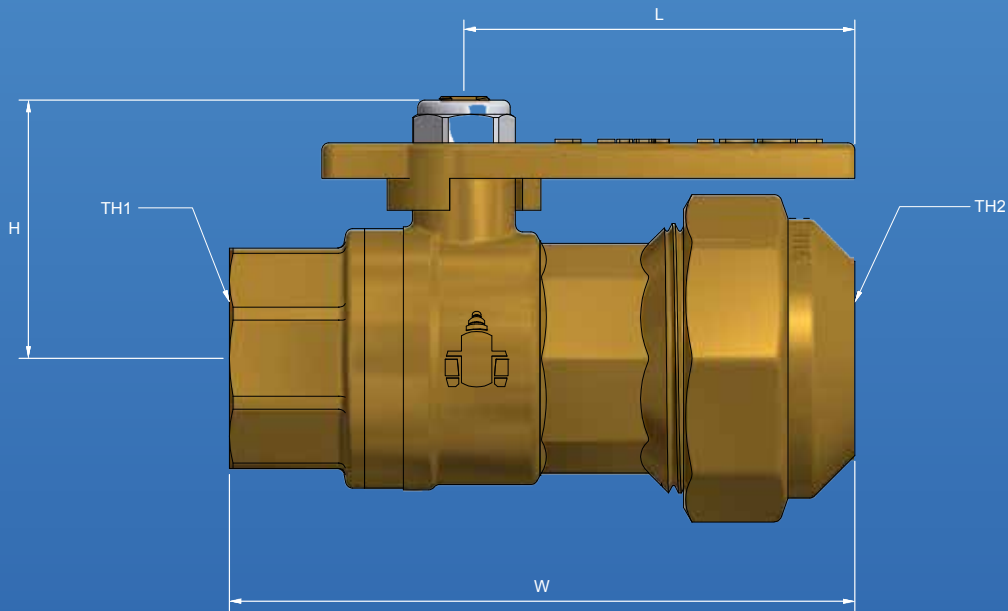
Austworld  
PO Box 311  
Ashmore City  
QLD 4214

P: 1300 780 430  
F: 1300 780 441  
E: [info@austworld.com.au](mailto:info@austworld.com.au)  
W: [www.austworld.com.au](http://www.austworld.com.au)





# BALL VALVE WATERMARKED POLY TO FEMALE



## Material Chart

Part	Material
Body	DR Brass
Body Nut	DR Brass
Spindle	SS 316
Ball	SS 316
Seal	PTFE
O Ring	Viton
Handle	DR Brass
Retaining Ring	POM
Pipe Seal	EDPM
Handle Nut	SS 316

## Sizing Chart MM

	L	H	W	TH1	TH2
WPE2025F	55	36	88	Rp 3/4"	25PE
WPE2532F	55	40	101	Rp 1"	32PE



Austworld  
PO Box 311  
Ashmore City  
QLD 4214

P: 1300 780 430  
F: 1300 780 441  
E: [info@austworld.com.au](mailto:info@austworld.com.au)  
W: [www.austworld.com.au](http://www.austworld.com.au)

