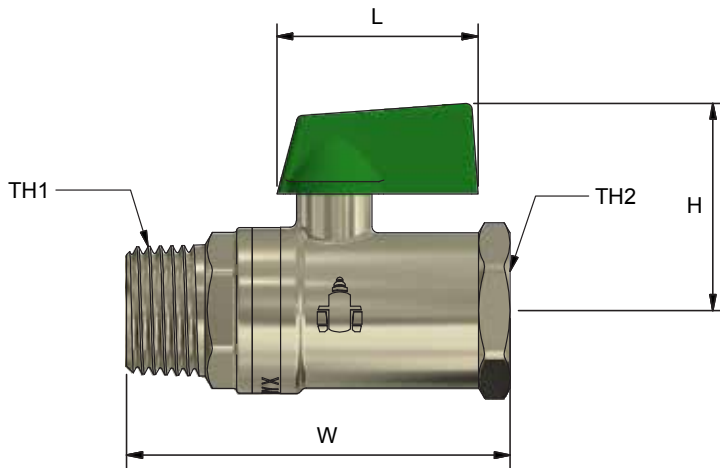


WATERMARKED BALL VALVE

Mini Ball Valve MI X FI

Product Specifications



Specifications

Working temperature -20°C to 120°C

Maximum pressure rating 2500kPa

Sizing Chart [MM]

	L	H	W	TH1	TH2
WMBV06MH	32	27	48	R1/4"	Rp1/4"
WMBV10MH	32	27	49	R3/8"	Rp3/8"
WMBV20MH	32	33	61	R1/2"	Rp1/2"

Features



Watermark approved

Full bore

100% pressure tested

Available in sizes from 6mm [1/4"] to 20mm [3/4"]

Tested and certified to WMTS012

Material Chart

Part	Material
Ball	DR Brass
Handle	Aluminium
Body	DR Brass
Cap	DR Brass
O Ring	FKM
Spindle	DR Brass

For more information on Logi Valve, contact:
Austworld 15 Activity Crescent, Molendinar, Queensland 4214 Australia
P. 1300 780 430 F. 1300 780 441 E. info@austworld.com.au

Austworld Pty Ltd. All rights reserved 2018. Austworld and Logi Valve are registered trade mark belonging to Austworld Pty Ltd.

