

Metforge[®]
b r a s s w a r e

DUAL OUTLET HOSE TAP

TH78

Specifications

- Maximum working temperature
-water 0°C to 60°C
- Maximum pressure rating 1000kPa

Features

- 100% pressure tested
- Blow proof spindle
- Watermark Approved



Austworld
PO Box 311
Ashmore City
QLD 4214

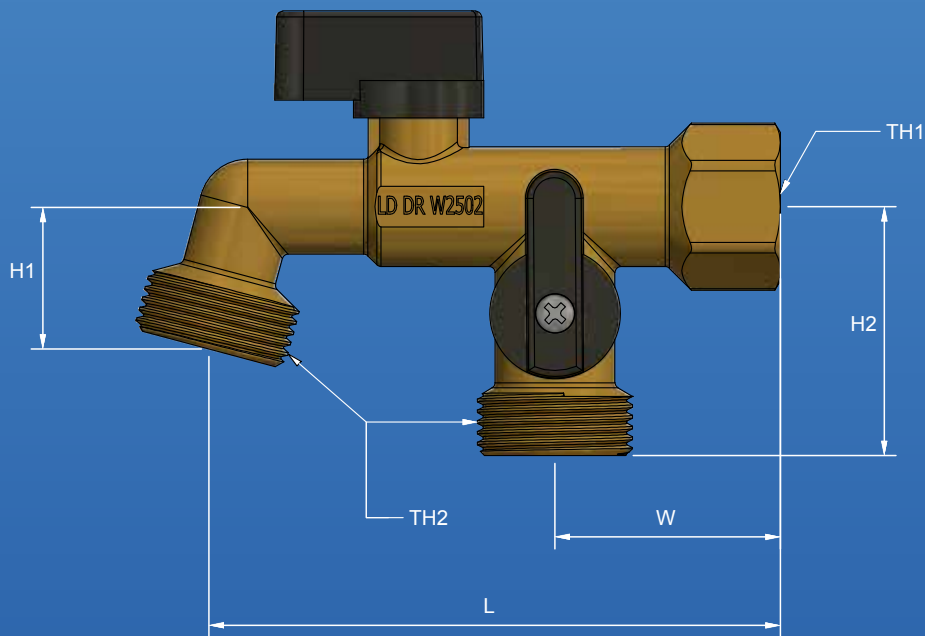
P: 1300 780 430
F: 1300 780 441
E: info@austworld.com.au
W: www.austworld.com.au



DISCLAIMER: AS PART OF AUSTWORLD COMMITMENT TO QUALITY PRODUCTS, AUSTWORLD RESERVES THE RIGHT TO ALTER THE DESIGN OR SPECIFICATION OF ITS PRODUCT WITHOUT NOTICE. THE PRODUCT IMAGES SHOWN ARE FOR ILLUSTRATION PURPOSES ONLY AND MAY NOT BE AN EXACT REPRESENTATION OF THE PRODUCT.

Ver 1.0

DUAL OUTLET HOSE TAP



Sizing Chart MM

	H1	H2	W	L	TH1	TH2
TH78	24	42	38	96	G 1/2" BSP	G 3/4"