

MT MONOPOLY™
T A P W A R E

PLUG AND WASTE POP UP BASIN WITH ADJUSTABLE 32MM X 40MM PART

PWAD32

Specifications

- 32mm outlet
- 40mm outlet

Features

- Watermark approved
- Available in overflow and non overflow



Austworld
PO Box 311
Ashmore City
QLD 4214

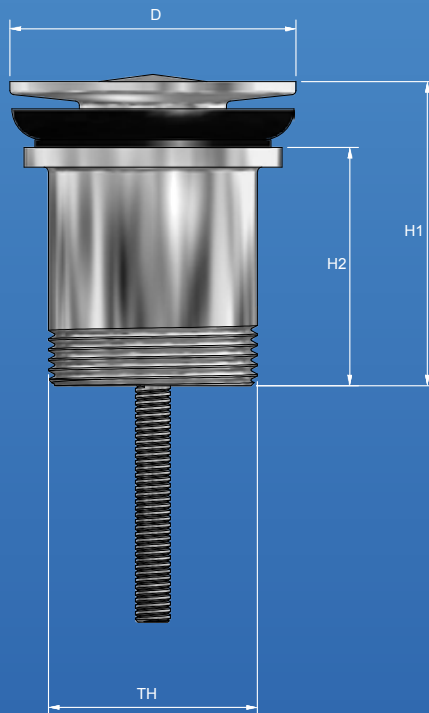
P: 1300 780 430
F: 1300 780 441
E: info@austworld.com.au
W: www.austworld.com.au



DISCLAIMER: AS PART OF AUSTWORLD COMMITMENT TO QUALITY PRODUCTS, AUSTWORLD RESERVES THE RIGHT TO ALTER THE DESIGN OR SPECIFICATION OF ITS PRODUCT WITHOUT NOTICE. THE PRODUCT IMAGES SHOWN ARE FOR ILLUSTRATION PURPOSES ONLY AND MAY NOT BE AN EXACT REPRESENTATION OF THE PRODUCT

Ver 1.0

PLUG AND WASTE POP UP BASIN WITH ADJUSTABLE 32MM X 40MM PART



Sizing Chart MM

	H1	H2	D	TH
PWAD32	55	45	63	G 1 1/2" BSP