



POLY CONNECTOR UNION PE X MI

MI UNION

Specifications

- Working temperature -20°C to 60°C
- Max. pressure rating 1600kPa

Features

- DR Brass
- Watermark approved
- No disassembly required, pipe can be inserted without disassembling the fitting
- Triple lip seal
- No fidly thimbles or grab rings
- Spare parts available



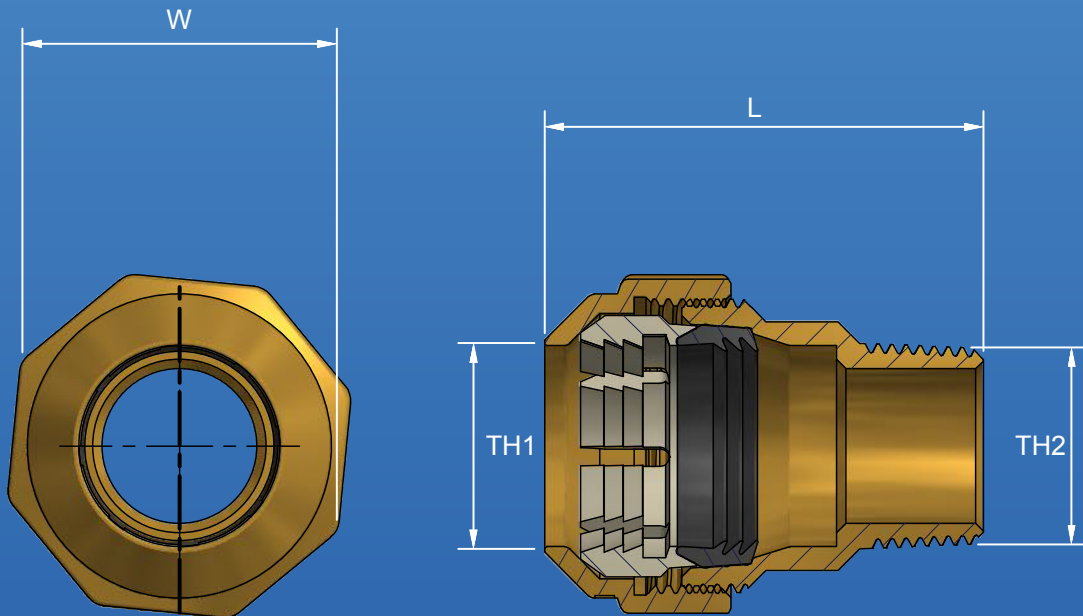
Austworld
PO Box 311
Ashmore City
QLD 4214

P: 1300 780 430
F: 1300 780 441
E: info@austworld.com.au
W: www.austworld.com.au





POLY CONNECTOR UNION PE X MI



Sizing Chart MM

| | L | W | TH1 | TH2 |
|--------|----|----|------|--------|
| AW4200 | 57 | 41 | 25PE | R 3/4" |
| AW4203 | 60 | 43 | 25PE | R 1" |
| AW4204 | 60 | 50 | 32PE | R 1" |



Austworld
PO Box 311
Ashmore City
QLD 4214

P: 1300 780 430
F: 1300 780 441
E: info@austworld.com.au
W: www.austworld.com.au



DISCLAIMER: AS PART OF AUSTWORLD COMMITMENT TO QUALITY PRODUCTS, AUSTWORLD RESERVES THE RIGHT TO ALTER THE DESIGN OR SPECIFICATION OF ITS PRODUCT WITHOUT NOTICE. THE PRODUCT IMAGES SHOWN ARE FOR ILLUSTRATION PURPOSES ONLY AND MAY NOT BE AN EXACT REPRESENTATION OF THE PRODUCT