

# Any-Vet Series

## Advanced Digital Vet X-ray System



*Any Vet-R*



*Any Vet-S*

*Excellent radiographic imaging at an economical price*



# Any-Vet Series

## X-RAY TUBE

- Max 125kV
- Focal Spot 1.0/2.0mm or 0.6/1.5mm

## COLLIMATOR

- LED Collimator Lamp

## MONITOR

- 19" Display
- Acquired images are Displayed

## CONSOLE

- Easy Operation
- 3,000 Anatomical programs

## TABLE TOP

- 4-Way Float Top Table
- Designed for Veterinary

## ADVANCED HIGH FREQUENCY GENERATOR

- Single Phase
- Output Power 32kW or 40kW
- Inside Table Base
- Easy Install and Easy Maintenance

## DUAL FOOT SWITCH

- 4-Way Float Top Table Moving
- Hands Free Collimator Lamp Control

Model. Any Vet-R



## IMAGE FIELD SIZE 17" x 17" OR 14" x 17"

- High spatial resolution with 140µm pixel array
- Stable and reliable automatic exposure detection
- Viewer software running on Windows OS
- Communication interface through Gigabit Ethernet
- Simple and easy integration with all kinds of digital radiography systems



## NETWORKING & SUPPORT

"Remote Access Support"



"Remote Diagnosis via Internet"



"Exam Room"



"Operating Room"



"Treatment Room"

# Any-Vet Series

Model. *Any Vet-S*



## PORTABLE X-RAY GENERATOR

- Model : EPX-F2800 / Output Power 2.8kW  
Single Phase 120VAC  
Max 120kV / Max 40mA
- Model : EPX-F5000 / Output Power 5Kw  
Single Phase 220VAC  
Max 120kV / Max 100mA
- Membrane Operation Console

## COLLIMATOR

- LED Collimator Lamp
- Integrated Laser Aimer

## TABLE TOP

- 4-Way Float Top Table
- Designed For Veterinary Application

## SIMPLE

- Compact Design
- Easy Install
- Easy Detector Interface

## CONVENIENT

- Compact Designed for Moving

## DUAL FOOT SWITCH

- 4-Way Float Top Table Moving



## IMAGE FIELD SIZE 17" x 17" OR 14" x 17"

- High spatial resolution with 140µm pixel array
- Stable and reliable automatic exposure detection
- Viewer software running on Windows OS
- Communication interface through Gigabit Ethernet
- Simple and easy integration with all kinds of digital radiography systems



## NETWORKING & SUPPORT

*"Remote Access Support"*



*"Remote Diagnosis via Internet"*



*"Exam Room"*



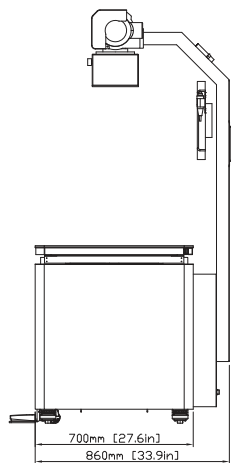
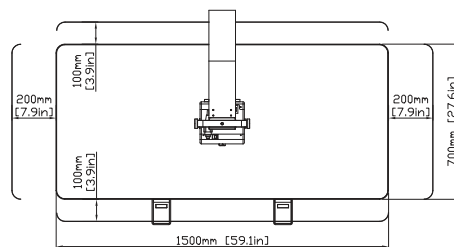
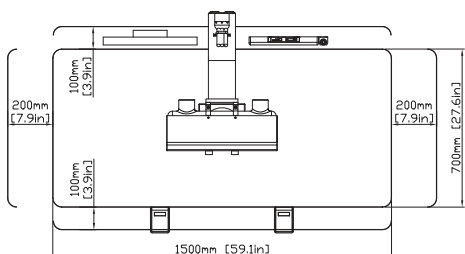
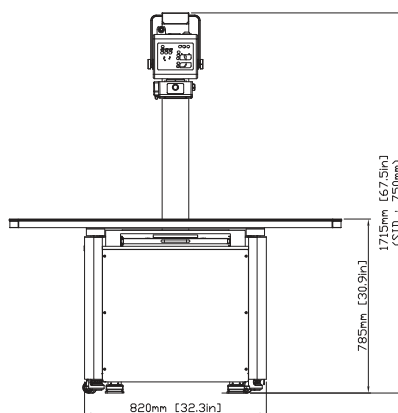
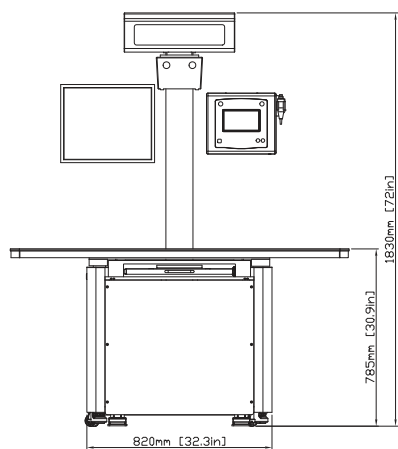
*"Operating Room"*



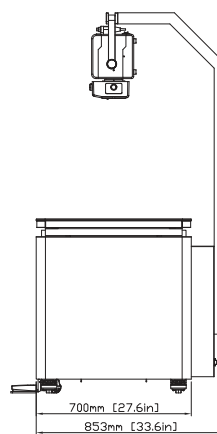
*"Treatment Room"*

# The Ecotron Any-Vet Series is a new standard for Veterinary imaging

## Dimension Specification



*Any Vet-R*



*Any Vet-S*



**ECOTRON Co., Ltd.**

4FL & 5FL, Hanshin IT Tower II, 47, Digital-ro 9-gil, Geumcheon-gu, Seoul, 08511, Korea  
Tel. +82-2-2025-3760, Fax. +82-2-2025-3764, e-mail : export@ecotron.co.kr

BUSINESS PARTNER

P. 1300 596 664 \* + 61 2 6059 6664  
E. info@arosystems.com.au \* www.arosystems.com.au  
3/67 Wigg Street WODONGA 3690 Victoria

**Rev A, ©ECOTRON – All rights reserved.**

Reproduction in whole or in part is prohibited without the written consent of the copyright-holder.  
Specifications and features are subject to change without