

XArm Weight Bearing Platform

Digital Radiography



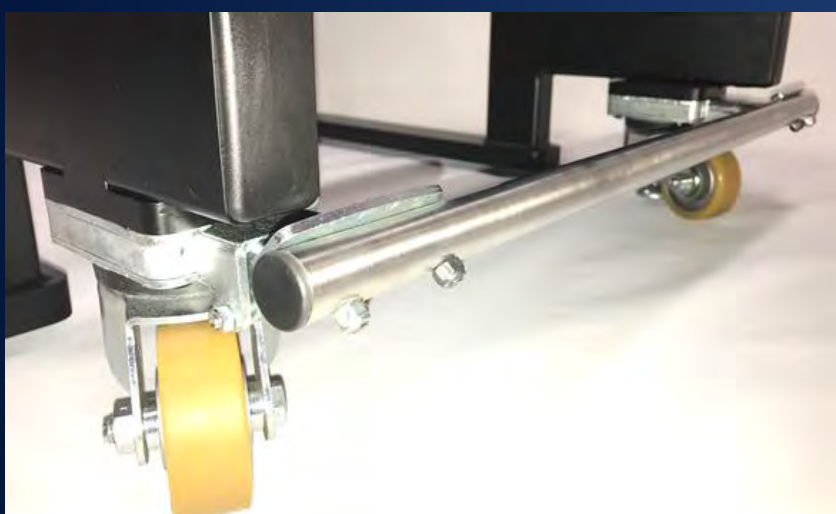
Our Classic Straight Arm /U-Arm Weight Bearing Platform

Certified Laboratory Tested 500 lbs.

Quick Wheels Lock with Trip Release Bar

Clear Polycarbonate Top

Designed and tested for ease of mobility while allowing secure lock-down for patient safety





RC Imaging

your radiology resource

No, it is NOT the new MARVEL UNIVERSE ROBOT HERO

Although...it is a TOUR de FORCE

Introducing the new RC Imaging

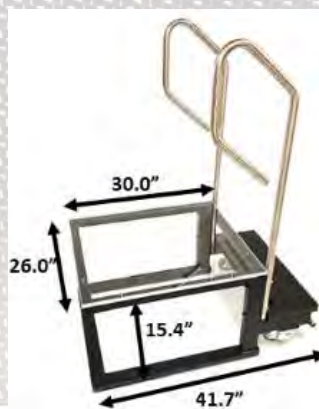
XARM™

After years of being courted to produce a straight arm weight bearing platform that could accommodate every gizmo device on the market at a WALMART price point and last forever, we decided to stop trying to please everyone by boiling the ocean and design, test, and manufacture this spectacular apparatus.



PRESENTING the *sans pareil* WEIGHT BEARING PLATFORM for STRAIGHT ARMS & U-ARMS

We took great pains to research and verify players in the arena. Not only the manufacturers, also the provider environments and procedures. Our XARM™ Weight Bearing Solution is sturdy, secure, maneuvers like an Alfa Romeo yet locks down like a bollard. And the price? Yeah, we locked that in quite nicely. Stainless rails, sturdy gripping platform, locking castors, German engineered front rollers, Independent Laboratory tested at 750lb. capacity...this is the real deal.



BUSINESS PARTNER



P. 1300 596 664 * + 61 2 6059 6664
E. info@arosystems.com.au * www.arosystems.com.au
3/67 Wigg Street WODONGA 3690 Victoria