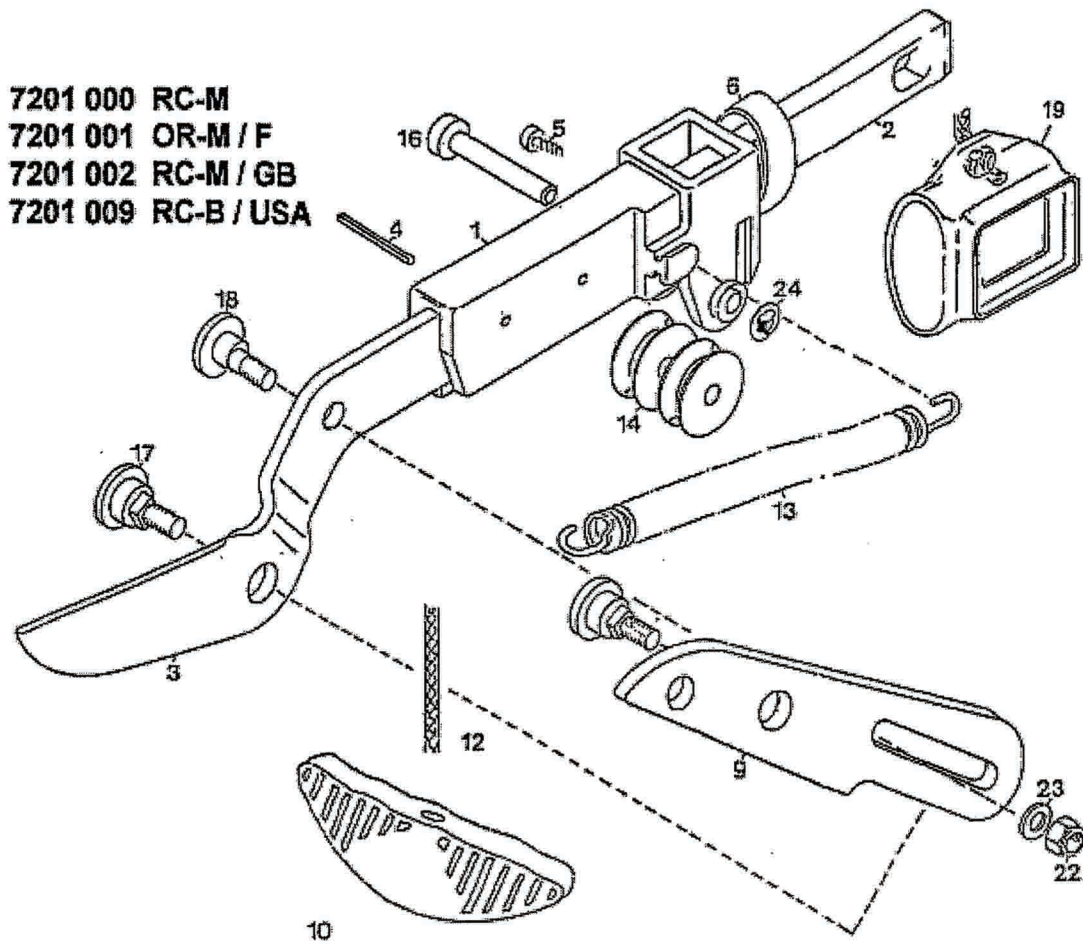


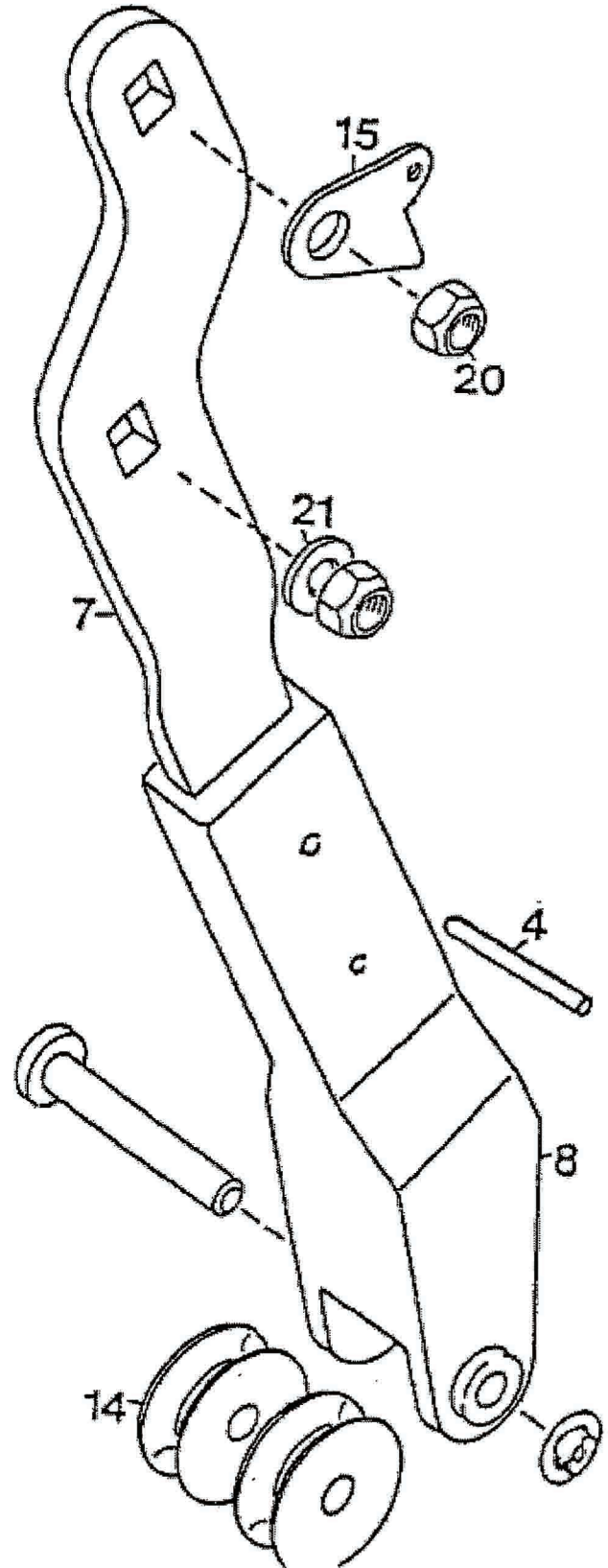
Spare Parts Diagram for WORCM



7201 000 RC-M
7201 001 OR-M / F
7201 002 RC-M / GB
7201 009 RC-B / USA

Item	Part Number	Quantity	Designation	DIN	Additional
1	7201106		BAG FOR BLADES		
2	7231224		CONNECTOR		
3	7208408		BLADE COATED		
4	0018836		DOWEL PIN		
5	0012894		SCREW		
****	7201020		Messertasche kpl./Ersatzteil R	C-M	
4	0018836		DOWEL PIN		
7	7201404		LEVER	7201404	
8	7201112		Lever bag		
****	7201021		7201021	7201021	
6	1315101		COLLAR		
9	7208401		COUNTER BLADE RS-A		
10	5702105		RCM CORD HANDLE		
12	7201101		TACKLE-LINE		
13	7201202		Tension spring		
14	7201203		PLASTIC ROLL		
15	7201201		SPRING SHACKLE		
16	0018106		BOLT		
17	7208202		BEARING		
18	7208204		SCREW		
19	7201300		NUT		
20	0016069		HEXAGONAL NUT M8	0016069	
21	0017123		WASHER		
22	0016356		NUT	-DIN980	
23	0017121		WASHER A6,4		
24	7082503		AXLE CAP		

Spare Parts Diagram for WORCM



Item	Part Number	Quantity	Designation	DIN	Additional
1	7201106		BAG FOR BLADES		
2	7231224		CONNECTOR		
3	7208408		BLADE COATED		
4	0018836		DOWEL PIN		
5	0012894		SCREW		
****	7201020		Messertasche kpl./Ersatzteil R	C-M	
4	0018836		DOWEL PIN		
7	7201404		LEVER	7201404	
8	7201112		Lever bag		
****	7201021		7201021	7201021	
6	1315101		COLLAR		
9	7208401		COUNTER BLADE RS-A		
10	5702105		RCM CORD HANDLE		
12	7201101		TACKLE-LINE		
13	7201202		Tension spring		
14	7201203		PLASTIC ROLL		
15	7201201		SPRING SHACKLE		
16	0018106		BOLT		
17	7208202		BEARING		
18	7208204		SCREW		
19	7201300		NUT		
20	0016069		HEXAGONAL NUT M8	0016069	
21	0017123		WASHER		
22	0016356		NUT	-DIN980	
23	0017121		WASHER A6,4		
24	7082503		AXLE CAP		