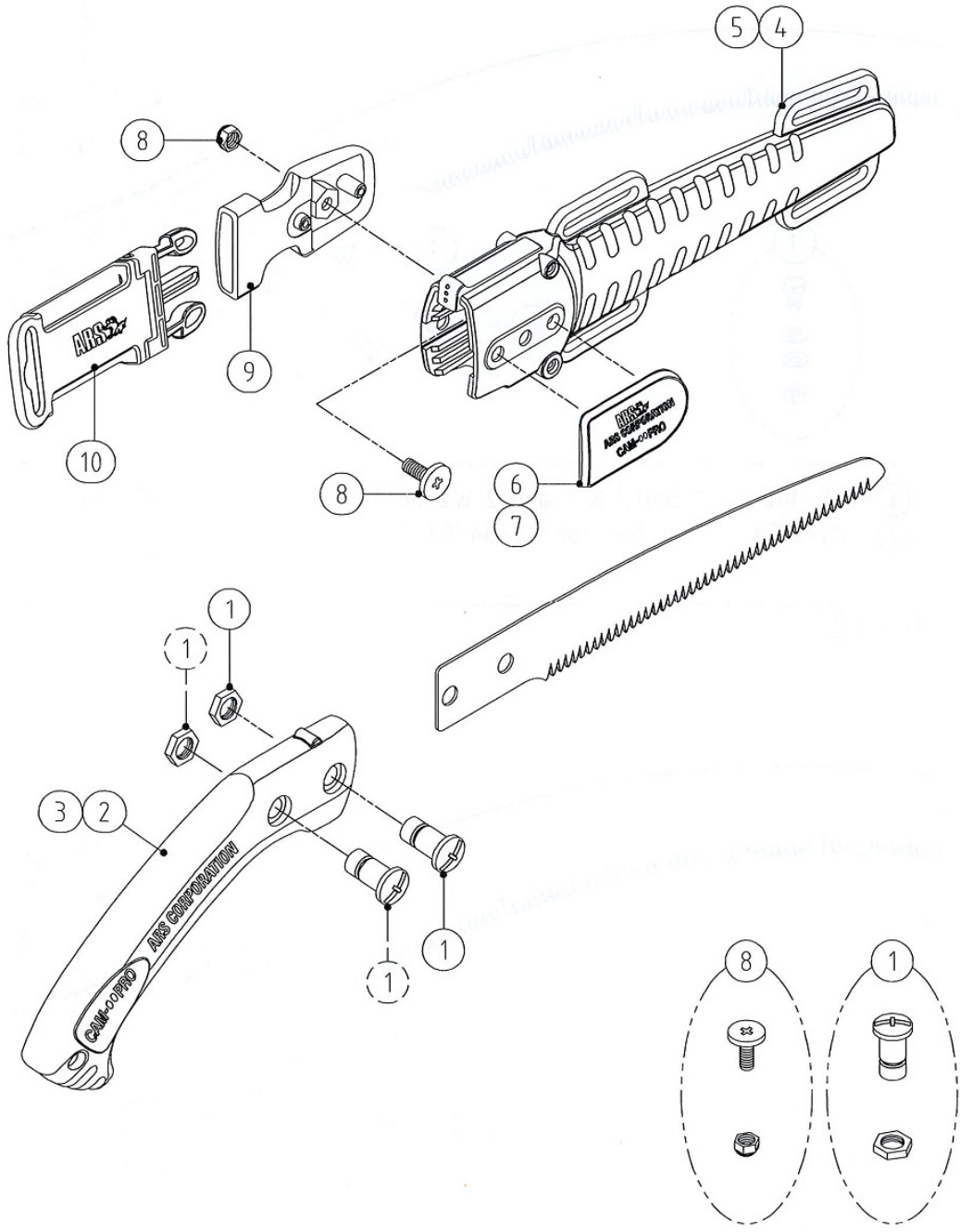


Parts Diagram for ARCAM18PRO & ARCAM24PRO



Blades: AR18PRO1 Replacement Blade for ARCAM18PRO
 AR24PRO1 Replacement Blade for ARCAM24PRO



- | | | | | |
|----|---------|----------------------------|-----|--------------------------------|
| 1. | ARSP359 | Bolt & Nut for 18PRO/24PRO | 6. | Name Plate for ARCAM18PRO |
| 2. | | Grip for CAM18PRO | 7. | Name Plate for ARCAM24PRO |
| 3. | | Grip for CAM 24PRO | 8. | Belt & nylon nut for Belt clip |
| 4. | ARSP362 | Sheath only for ARCAM18PRO | 9. | Belt clip |
| 5. | ARSP363 | Sheath only for ARCAM24PRO | 10. | Belt |

*Parts in grey not stocked