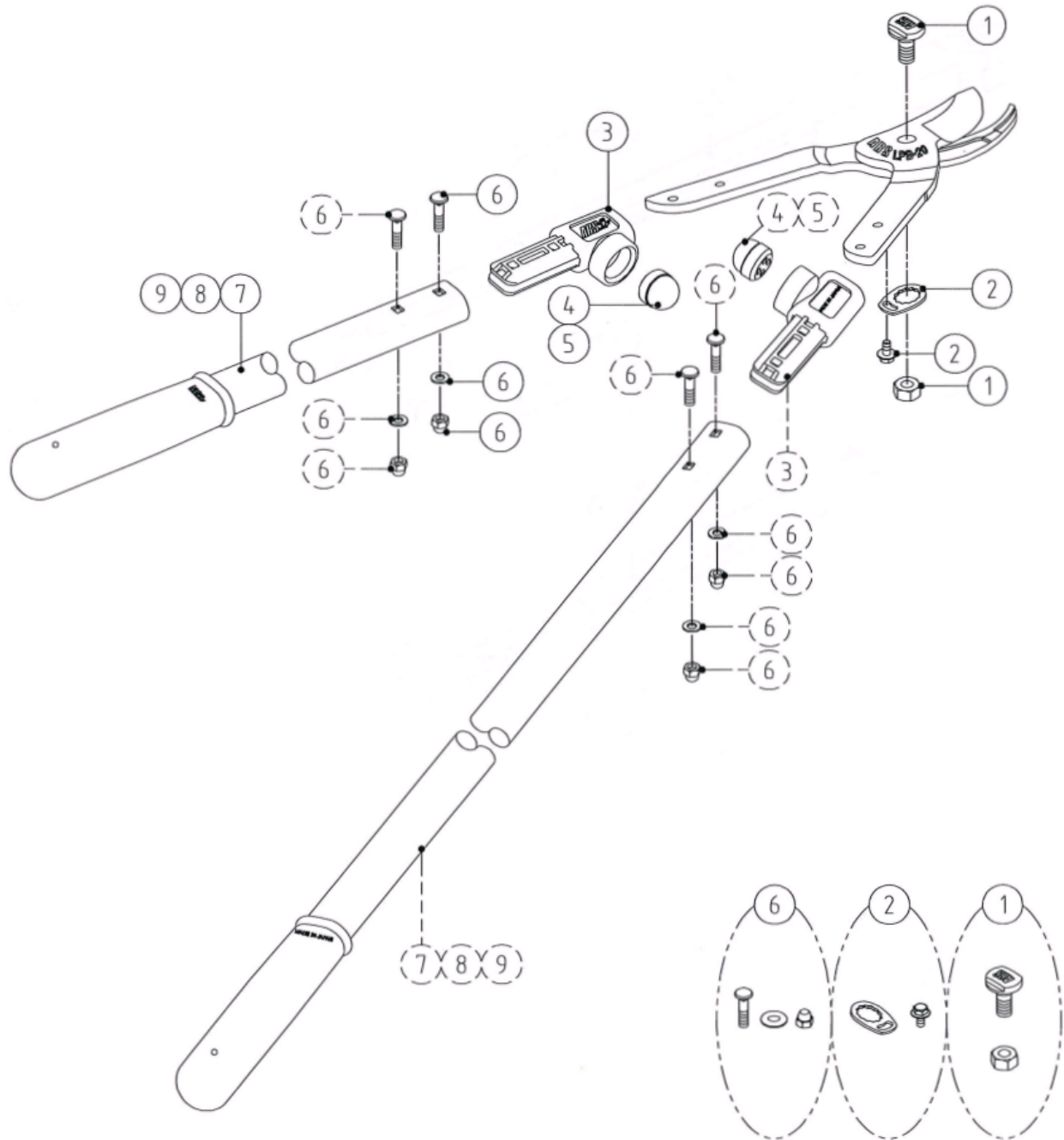


## Parts Diagram for ARLPB20/30

Blades:	ARLPB201	Blade for ARLPB20S Loppers
	ARLPB202	Counter Blade for ARLPB20S Loppers
	ARLPB301	Blade for ARLPB30 Loppers
	ARLPB302	Counter Blade for ARLPB30 Loppers



- |    |         |   |
|----|---------|---|
| 1. | ARSP288 | Centre Bolt & Nut For LPB20/30 Loppers            |
| 2. | ARSP426 | Centre Nut Retainer Set for LPB Loppers           |
| 3. | ARSP419 | Bumper Socket for LPB Series Loppers              |
| 4. | ARSP420 | Shock Absorber for LPB20S & LPB30S                |
| 5. | ARSP421 | Shock Absorber for LPB30M & LPB30L                |
| 6. | ARSP387 | Blade Holding Bolt, Nut & Washer for ARLPB Series |
| 7. |         | Pipe with grip for ARLPB20S/30S                   |
| 8. |         | Pipe with grip for ARLPB30M                       |
| 9. |         | Pipe with grip for ALPB30L                        |

\*Parts in grey not stocked