



HTG-BB



HTG-BS

Model	Resistance	Bezel	Range
HTG-BB	240-30 Ohms	Plastic	Low - Full
HTG-BS	240-30 Ohms	Stainless	Low - Full

Code numbers

HTG-BB, HTG-BS.

Operating voltage

12 VDC - default;

- Compatible also with 24V for stepping motor and LCD type gauges;
- Require an extra resistor to work with 24V for cross coil type gauge;

Material

316 stainless steel bezel with curved glass;

Protection

IP67 protection rating for the whole gauge;

can work up to 1m underwater;

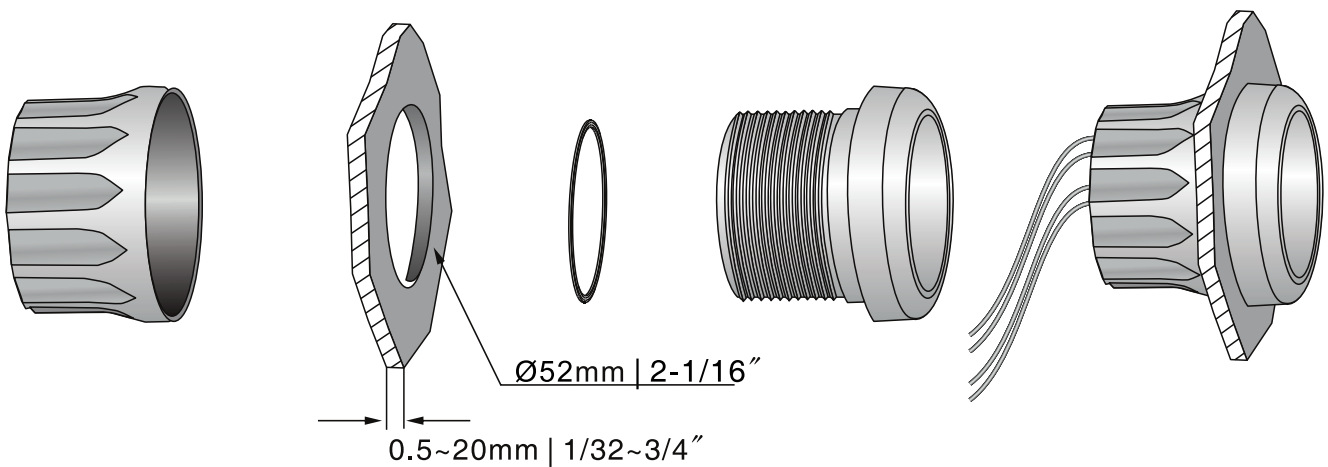
Features

Excellent anti-fogging performance;

Easy installation with multi-plug socket connection design;

Backlight

red or yellow.



Proudly distributed by:



16 Parkinson Lane
O'Connor WA 6163
Australia

Phone +61 8 9331 3100
Fax +61 8 9331 5150
Email mail@amelec.com.au
Web www.amelec.com.au