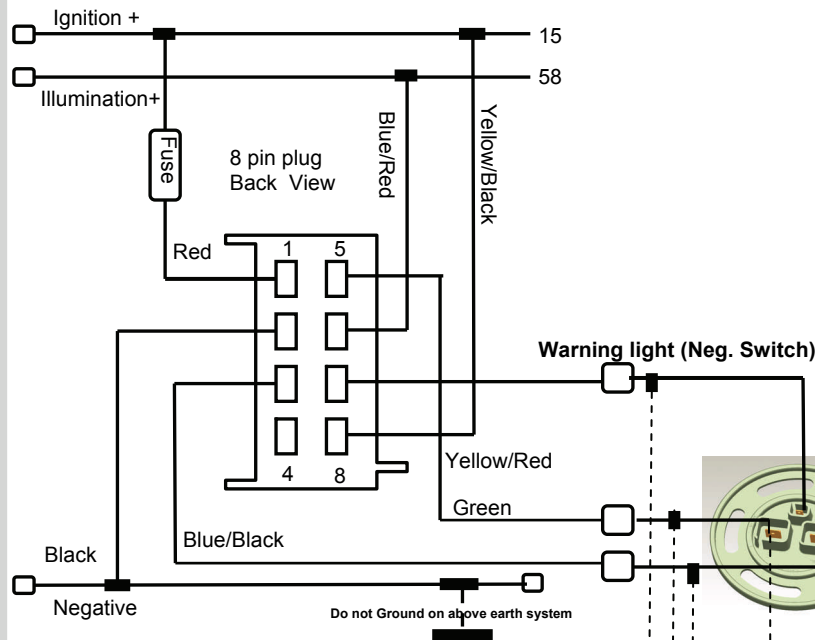


Fuel Gauge – Arm & Reed Switch Type Senders



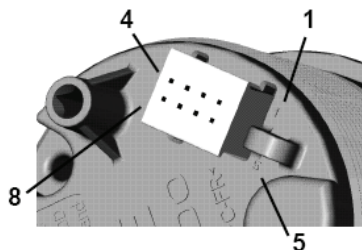
Version with Warning Contact

Arm type sender

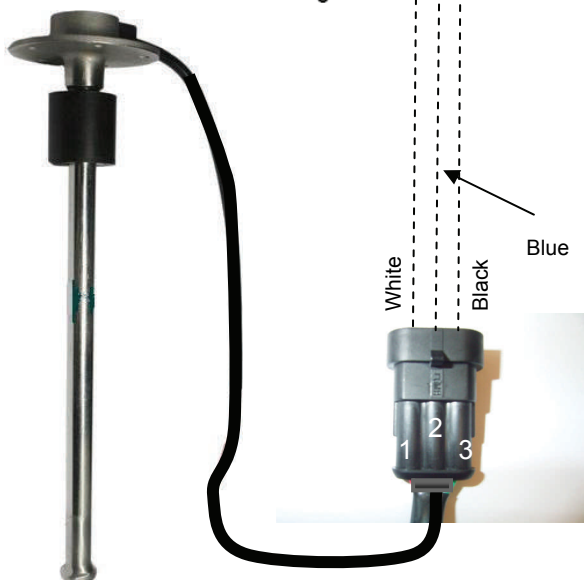
Version without Warning Contact



8 way connector Kit
p/n A2C59510850



Reed Switch sender



Pin 1 - Wh - Low Fuel Warning
Pin 2 - Bl - Output signal
Pin 3 - Bk - Negative

0 to 1/1

Indication	0	1/4	1/2	3/4	1/1
Resistance (Ω)	3	45	85	138	180
Deflection ($^\circ \angle$)	0	17.2	41.2	73.8	88.8
Tolerance ($^\circ \angle$)	+ 3.6 - 3.6	\pm 3.6	\pm 3.6	\pm 3.6	+ 3.6 - 3.6