



IPPR-BB-0-5



IPPR-BS-0-10

The Oil Pressure Gauge allows the user to monitor the oil pressure of their system, ensuring all the components are properly lubricated for optimal performance. The Engine Oil Pressure Gauge are available in 0-75 psi (0-5 bar), 0-145 psi (0-10 bar).

Model	Resistance	Bezel	Range
IPPR-BB-0-5	10-185 Ohms	Plastic	0 - 5 bar
IPPR-BS-0-5	10-185 Ohms	Stainless	0 - 5 bar
IPPR-BB-0-10	10-185 Ohms	Plastic	0 - 10 bar
IPPR-BS-0-10	10-185 Ohms	Stainless	0 - 10 bar

**Code numbers**

IPPR-BB-0-5, IPPR-BS-0-5, IPPR-BB-0-10, IPPR-BS-0-10.

**Operating voltage**

12 VDC - default;

- Compatible also with 24V for stepping motor and LCD type gauges;

- Require an extra resistor to work with 24V for cross coil type gauge;

**Material**

316 stainless steel bezel with curved glass;

**Protection**

IP67 protection rating for the whole gauge;

can work up to 1m underwater;

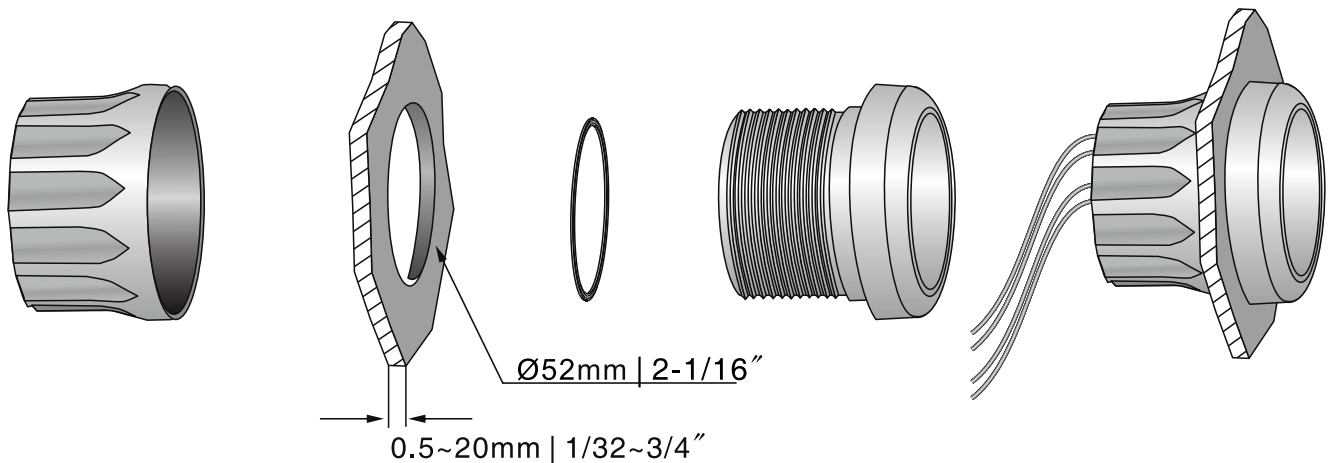
**Features**

Excellent anti-fogging performance;

Easy installation with multi-plug socket connection design;

**Backlight**

red or yellow.





IPPR-BB-0-25



IPPR-BS-0-25

The Oil Pressure Gauge allows the user to monitor the oil pressure of their system, ensuring all the components are properly lubricated for optimal performance. The Gear Oil Pressure Gauge is available in 0-365 psi (0-25bar).

Model	Resistance	Bezel	Range
IPPR-BB-0-25	10-185 Ohms	Plastic	0 - 25 bar
IPPR-BS-0-25	10-185 Ohms	Stainless	0 - 25 bar

**Code numbers** IPPR-BB-0-25, IPPR-BS-0-25.

**Operating voltage** 12 VDC - default;

- Compatible also with 24V for stepping motor and LCD type gauges;
- Require an extra resistor to work with 24V for cross coil type gauge;

**Material** 316 stainless steel bezel with curved glass;

**Protection** IP67 protection rating for the whole gauge;

can work up to 1m underwater;

**Features** Excellent anti-fogging performance;

Easy installation with multi-plug socket connection design;

**Backlight** red or yellow.

