



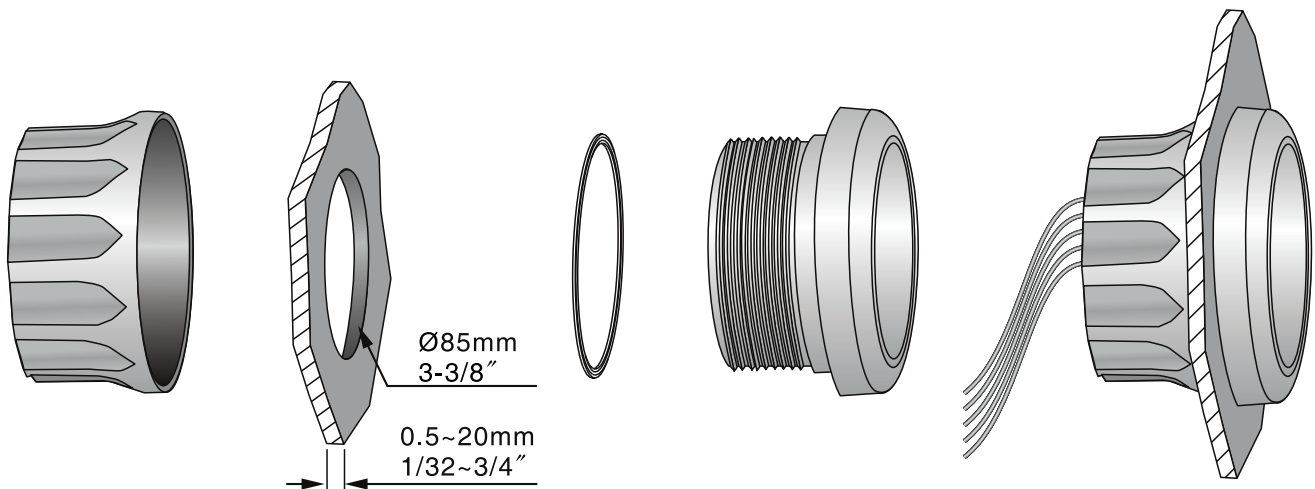
A range of RPM indicators for petrol engine applications with the added benefit of an integrated hourmeter. Suitable for conventional ignition (2 and 4 cycle) signal input.

Model	Bezel	Range
IMHB-BB-8KL	Plastic	0 - 8000 rpm
IMHB-BS-8KL	Stainless	0 - 8000 rpm

IMHB-BS-8KL

IMHB-BB-8KL

- Code numbers** IMHB-BB-8KL, IMHB-BS-8KL.
- Input voltage** universal connection 9-32VDC;
- Material** 316 stainless steel bezel with curved glass;
- Protection** IP67 protection rating for the whole gauge;
can work up to 1m underwater;
- Features** Suitable for conventional (2 and 4 cycle) signal input;
Excellent anti-fogging performance;
- Backlight** Easy installation with multi-plug socket connection design;
red or yellow.





IQHB-BB-4KL



IQHB-BS-4KL

A range of diesel engine RPM indicators with the added benefit of an integrated hourmeter. Available with alternator and inductive (flywheel ring gear) signal input.

Model	Bezel	Range
IQHB-BB-4KL	Plastic	0 - 4000 rpm
IQHB-BS-4KL	Stainless	0 - 4000 rpm

Code numbers
Input voltage
Operating voltage

IQHB-BB-4KL, IQHB-BS-4KL.
universal connection 9-32VDC;
12 VDC - default;

Material
Protection

- Compatible also with 24V for stepping motor and LCD type gauges;
- Require an extra resistor to work with 24V for cross coil type gauge;
316 stainless steel bezel with curved glass;
IP67 protection rating for the whole gauge;
can work up to 1m underwater;

Features

Suitable for alternator and inductive (flywheel ring gear) signal input;
Excellent anti-fogging performance;
Easy installation with multi-plug socket connection design;

Backlight

red or yellow.

