

ML-Series Remote Battery Switches

500A magnetic latching switch provides high amperage switching under load, manually or from remote location

- Silver alloy contacts provide high reliability for switching live loads
- LED output to remotely indicate switch state - requires optional LED or Remote Control Contura Switch with integrated LED (included in retail package)
- 3/8"-16 Tin-plated Copper studs for maximum conductivity and corrosion resistance
- One-piece stainless flange nuts ensure safe and secure connections
- Label recesses for circuit identification



Remote Control Contura Switch Included in retail package



Duetch DTM Cable End now offered for both retail and bulk units. Other connector plugs are available for high volume OEM applications.

TECH TIP

ML-Series Solenoid & RBS Update

A number of ML-Series Solenoids and Remote Battery Switches are now rated to 64V DC, making them ideal for use in 36V DC and 48V DC nominally-rated systems. The new 64V DC rating applies only to the contact voltage, while maintaining the existing 12V DC or 24V DC control voltage, making them ideal for use in multi-voltage systems like solar or golf-carts. The new higher voltage rating was tested to 2,000 live-switching cycles at maximum operating voltage per UL 1107 requirements.

Related Products



9160 Paralleling Link Bus
For paralleling ML-Remote Battery Switches and Automatic Charging Relays

- Tin-plated copper for maximum conductivity and corrosion resistance
- Sold individually

Specs

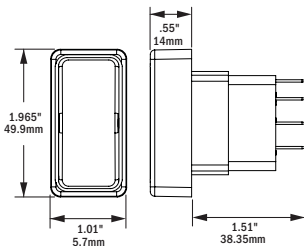
Part #	Contact Voltage	Control Voltage	Signal Voltage	Cable End
7700	0-64V	9-16V	12V Momentary	Stripped Wire
7700100	0-64V	9-16V	12V Momentary	Deutsch DTM
7702	0-64V	18-32V	24V Momentary	Stripped Wire
7702100	0-64V	18-32V	24V Momentary	Deutsch DTM
7713	9-16V	9-16V	12V Continuous	Stripped Wire
7713100	9-16V	9-16V	12V Continuous	Deutsch DTM
7717	18-32V	18-32V	24V Continuous	Stripped Wire
7717100	18-32V	18-32V	24V Continuous	Deutsch DTM
9160	Paralleling link bus			

Wire Size and Current Ratings

Wire Size	Cranking 30 sec.	Intermittent 5 min.	Continuous (UL 1107)
2/0 AWG (70 mm ²)	1,000A	400A	225A
4/0 AWG (120 mm ²)	1,100A	400A	300A
2x 4/0 AWG (2x 120 mm ²)	1,450A	700A	500A

Remote Control Contura Switch (2145, 2155)

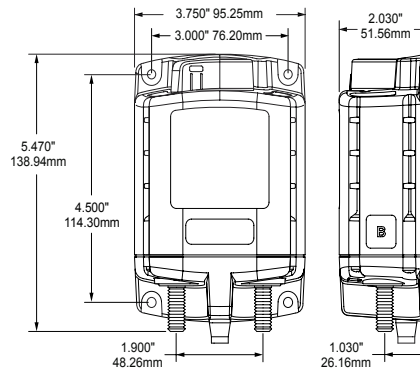
Amperage Max. Operating	20A @ 12V DC, 15A @ 24V DC
Amperage Operating Current	18mA
Temperature Range	-40°C (-40°F) to 85°C (185°F)
Pole/Throw	SPDT
Lighting	LED rated 100,000 hours half-life
Seals	Internal and external gasket panel seal
Mounting Hole	1.45" x 0.83" (36.83 mm x 21.08 mm)
Regulatory	Meets UL 1500 and ISO 8846 external ignition protection requirements, Switch front is IP67 when mounted with gasket in place - protected against immersion up to 1 meter for 30 minutes



Selection Chart



Part #	7700 7700100	7702 7702100	7713 7713100	7717 7717100
Manual Control	Yes			
Operating Voltage (contacts)	0-64V		9-16V	18-32V
Nominal Control Voltage	12V DC	24V DC	12V DC	24V DC
Control Voltage	9-16V	18-32V	9-16V	18-32V
Cranking Rating (30 sec.)	1,450A DC			
Intermittent Rating (5 min.)	700A DC			
Continuous Rating	500A DC			
Amperage Operating Current - continuous @ 25°C nominal VDC	0mA		< 13mA	
Amperage Operating Current - when changing state	< 7.0A DC	< 4.0A DC	< 7.0A DC	< 4.0A DC
Switching Cycles	100,000			
Live Switching Cycles	10,000 @ 12V, 300A 10,000 @ 24V, 150A 2000 @ 48V, 100A		10,000 @ 12V, 300A	10,000 @ 24V, 150A
Control Signal	Momentary		Continuous	
Coil Function	Magnetic Latching Bi-Stable		Magnetic Latching Auto-Releasing	
Remote Control Switch Included	2145 SPDT (ON)-OFF-(ON)		2155 SPDT ON-ON	
Control Circuit Connection	Tinned Wire or Deutsch Connector			
Mounting	#10 or M5			
Terminal Stud Size	3/8"-16 (M10)			
Terminal Stud Length	7/8" (22 mm)			
Maximum Terminal Stud Torque	140 in-lb (15.5 Nm)			
Cable Size to Meet Ratings	4/0 AWG (120 mm ²) x 2			
Terminal Ring Diameter Clearance	1.12" (28.4 mm)			
Weight	2.05lb (0.93 kg)			
Regulatory	CE marked, Meets ISO 8846 and SAE J1171 external ignition protection requirements IP66 - protected against powerful water jets			



Specifications subject to change. See blueseasystems.com for current information.