



Electromagnetic Battery Switch Single Pole 300A

CODE NUMBER: 530000 - 12 VDC

GENERAL

Low coil holding current. Surface mount U bracket.
Tested to 200 hours salt spray resistance.

ELECTRICAL - CONTROL CIRCUIT

Inrush Current:	7 Amps
Holding Current:	0.3 Amps
Engaging Voltage:	≥9 Volts
Disengaging Voltage:	≤4 Volts
Power Dissipation:	≤6 Watts

ELECTRICAL - POWER CIRCUIT

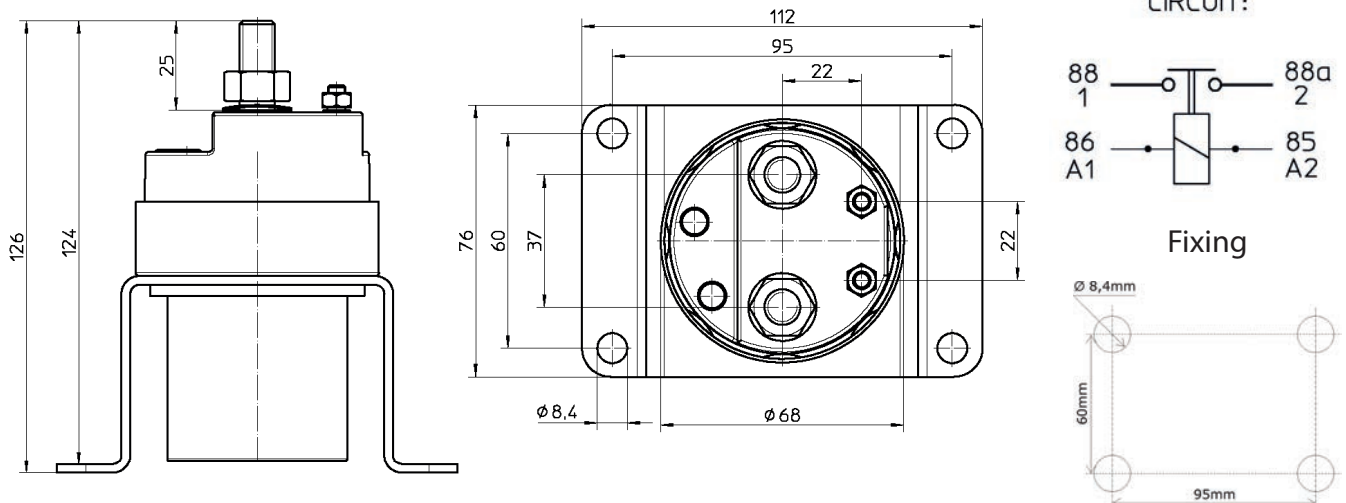
Rated Voltage:	48VDC maximum
Rated Current:	300/2400 Amps sustained/1 sec
Configuration:	Normally Open (N/O)

PHYSICAL

Termination- Power:	M10 copper studs
Stud Torque - Power:	14 ± 1.5 Nm
Termination - Control:	M5 brass studs
Stud Torque - Control:	4 ± 1.0 Nm
Contacts:	Copper
Hardware:	Brass nuts and washers
Construction:	Reinforced plastic base with black zinc plated steel body and frame.
Environmental:	IP65
Operating Temp:	-40°C to +85°C
Dimensions:	112mmL x 76mmW x 126mmH
Weight (nominal):	1.1 Kilogram



A heavy duty remote operated contactor for switching high current loads in commercial, industrial and marine transport applications. Featuring sealed design, robust construction and easy mounting, all in a compact housing.





Electromagnetic Battery Switch Single Pole 300A

CODE NUMBER: 530001 - 24 VDC

GENERAL

Low coil holding current. Surface mount U bracket.
Tested to 200 hours salt spray resistance.

ELECTRICAL - CONTROL CIRCUIT

Inrush Current:	4.5 Amps
Holding Current:	0.25 Amps
Engaging Voltage:	≥18 Volts
Disengaging Voltage:	≤6 Volts
Power Dissipation:	≤6 Watts

ELECTRICAL - POWER CIRCUIT

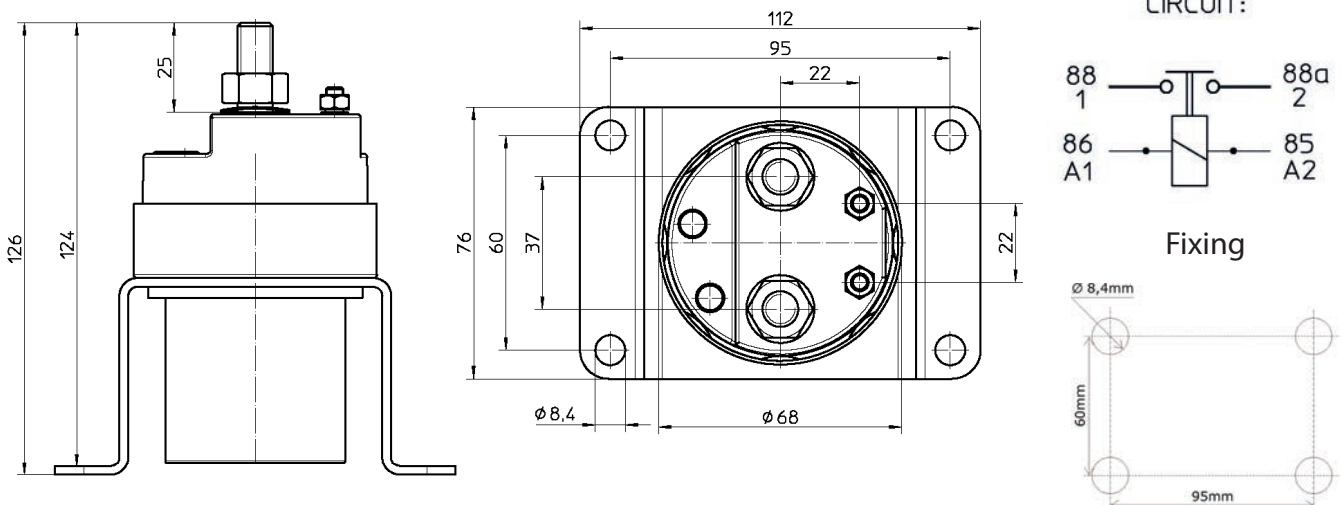
Rated Voltage:	48VDC maximum
Rated Current:	300/2400 Amps sustained/1 sec
Configuration:	Normally Open (N/O)

PHYSICAL

Termination- Power:	M10 copper studs
Stud Torque - Power:	14 ± 1.5 Nm
Termination - Control:	M5 brass studs
Stud Torque - Control:	4 ± 1.0 Nm
Contacts:	Copper
Hardware:	Brass nuts and washers
Construction:	Reinforced plastic base with black zinc plated steel body and frame.
Environmental:	IP65
Operating Temp:	-40°C to +85°C
Dimensions:	112mmL x 76mmW x 126mmH
Weight (nominal):	1.1 Kilogram



A heavy duty remote operated contactor for switching high current loads in commercial, industrial and marine transport applications. Featuring sealed design, robust construction and easy mounting, all in a compact housing.





Electromagnetic Battery Switch Single Pole 300A

CODE NUMBER: 530010 - 12 VDC

GENERAL

Low coil holding current. Recessed mount flat bracket. Tested to 200 hours salt spray resistance.

ELECTRICAL - CONTROL CIRCUIT

Inrush Current: 7 Amps
 Holding Current: 0.3 Amps
 Engaging Voltage: ≥ 9 Volts
 Disengaging Voltage: ≤ 4 Volts
 Power Dissipation: ≤ 6 Watts

ELECTRICAL - POWER CIRCUIT

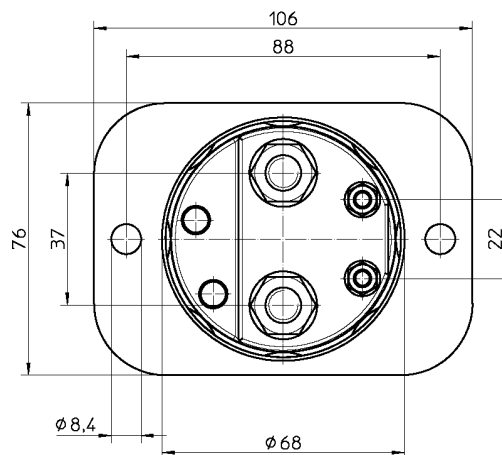
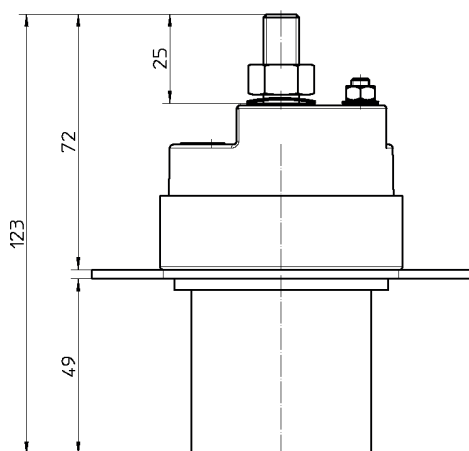
Rated Voltage: 48VDC maximum
 Rated Current: 300/2400 Amps sustained/1 sec
 Configuration: Normally Open (N/O)

PHYSICAL

Termination- Power: M10 copper studs
 Stud Torque - Power: 14 ± 1.5 Nm
 Termination - Control: M5 brass studs
 Stud Torque - Control: 4 ± 1.0 Nm
 Contacts: Copper
 Hardware: Brass nuts and washers
 Construction: Reinforced plastic base with black zinc plated steel body and frame.
 Environmental: IP65
 Operating Temp: -40°C to $+85^{\circ}\text{C}$
 Dimensions: 106mmL x 76mmW x 123mmH
 Weight (nominal): 1.0 Kilogram

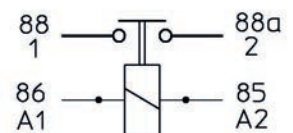


A heavy duty remote operated contactor for switching high current loads in commercial, industrial and marine transport applications. Featuring sealed design, robust construction and easy mounting, all in a compact housing.

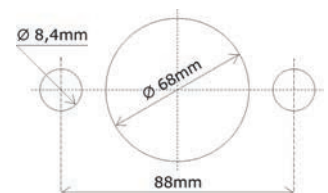


Connection

CIRCUIT:



Fixing





Electromagnetic Battery Switch Single Pole 300A

CODE NUMBER: 530011 - 24 VDC

GENERAL

Low coil holding current. Recessed mount flat bracket. Tested to 200 hours salt spray resistance.

ELECTRICAL - CONTROL CIRCUIT

Inrush Current: 4.5 Amps
 Holding Current: 0.25 Amps
 Engaging Voltage: ≥ 18 Volts
 Disengaging Voltage: ≤ 6 Volts
 Power Dissipation: ≤ 6 Watts

ELECTRICAL - POWER CIRCUIT

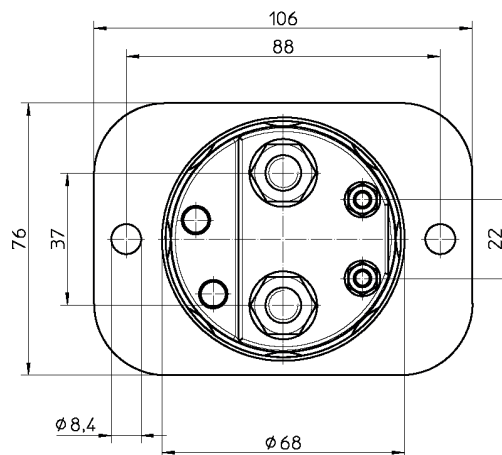
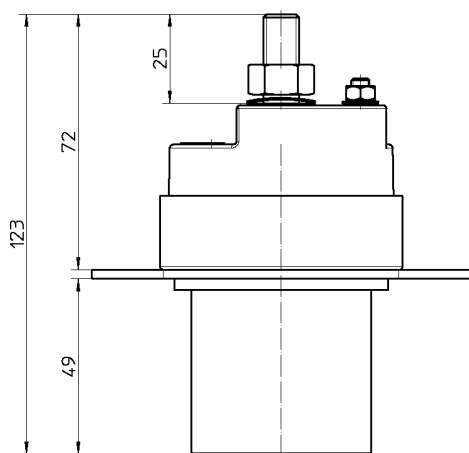
Rated Voltage: 48VDC maximum
 Rated Current: 300/2400 Amps sustained/1 sec
 Configuration: Normally Open (N/O)

PHYSICAL

Termination- Power: M10 copper studs
 Stud Torque - Power: 14 ± 1.5 Nm
 Termination - Control: M5 brass studs
 Stud Torque - Control: 4 ± 1.0 Nm
 Contacts: Copper
 Hardware: Brass nuts and washers
 Construction: Reinforced plastic base with black zinc plated steel body and frame.
 Environmental: IP65
 Operating Temp: -40°C to $+85^{\circ}\text{C}$
 Dimensions: 106mmL x 76mmW x 123mmH
 Weight (nominal): 1.0 Kilogram

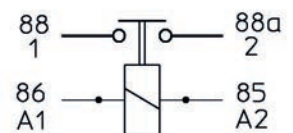


A heavy duty remote operated contactor for switching high current loads in commercial, industrial and marine transport applications. Featuring sealed design, robust construction and easy mounting, all in a compact housing.



Connection

CIRCUIT:



Fixing

