



Battery Master Switch Single Pole 300A

CODE NUMBER: 500013

GENERAL

Environmentally sealed to IP67 for high protection.
Fixed T handle is removable and replaceable.

ELECTRICAL

Rated Voltage: 48VDC maximum
Rated Current: 300/3000 Amps sustained/5 secs
Configuration: Normally Open (N/O)

PHYSICAL

Termination: M10 copper studs
Stud Torque: 15 ± 1.0 Nm
Contacts: Copper
Hardware: Brass nuts and washers
Construction: Reinforced plastic body with zinc plated die cast frame and die cast T handle.

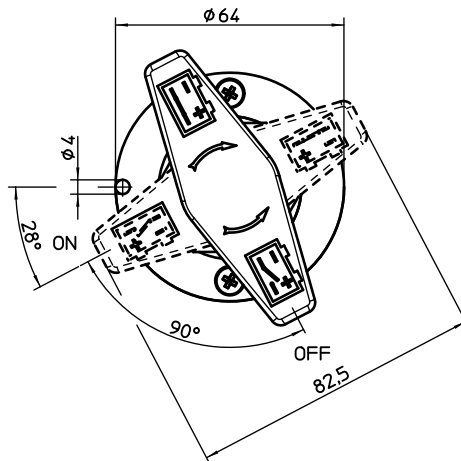
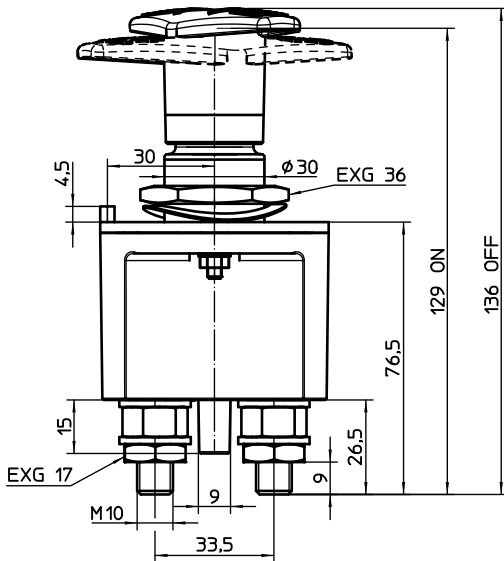
Environmental: IP67
Operating Temp: -40°C to $+85^{\circ}\text{C}$
Dimensions: 82.5mmL x 82.5mmW x 136mmH
Weight (nominal): 515 Grams

SPARE PARTS

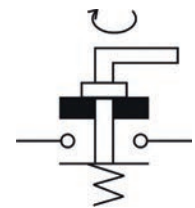
Handle: Order no. 500031



A robust switch designed for switching heavy current in a myriad of automotive, commercial and industrial vehicle applications. Featuring sealed construction, anti-rotation stop, strong cast aluminium handle, all in a compact housing.



Connection



Fixing

