



# Battery Master Switch Single Pole 250A

**CODE NUMBER:** 500010

**GENERAL**

Removable heavy duty handle with retaining chain. Includes weather protective boot and seal.

**ELECTRICAL**

Rated Voltage: 48VDC maximum  
 Rated Current: 250/2500 Amps sustained/5 secs  
 Configuration: Normally Open (N/O)

**PHYSICAL**

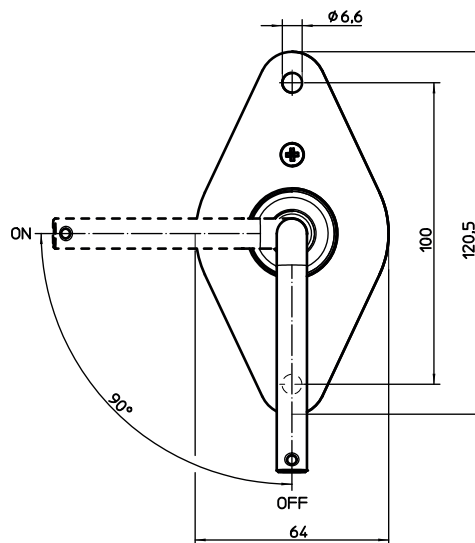
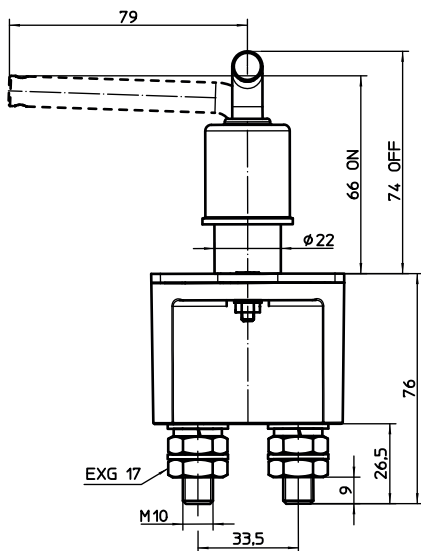
Termination: M10 copper studs  
 Stud Torque: 15 ± 1.0 Nm  
 Contacts: Copper  
 Hardware: Steel nuts and washers  
 Construction: Reinforced plastic body with zinc plated stamped steel frame and handle.  
 Environmental: IP65  
 Operating Temp: -40°C to +85°C  
 Dimensions: 64mmL x 120.5mmW x 150mmH  
 Weight (nominal): 565 Grams



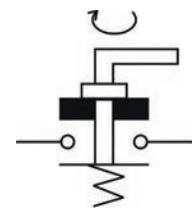
Designed for switching high current loads in various automotive, commercial and industrial vehicles. This high performance switch is constructed from quality materials and sealed to protect from harsh environmental conditions.

**SPARE PARTS**

Handle: Order no. 520009  
 Handle, chain, boot and strap: Order no. 520020  
 Boot and strap: Order no. 520003



**Connection**



**Fixing**

