



Battery Master Switch Single Pole 150A



These quality metal switches are ideal for use in vehicles, materials handling, agricultural and industrial equipment applications, etc. Available in zinc plated steel for general use and stainless steel for marine or corrosive environments.

CODE NUMBER:

500008 - Stainless steel

GENERAL

Removable handle with weather protection.

ELECTRICAL

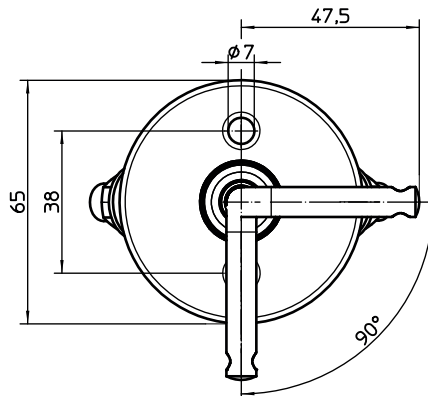
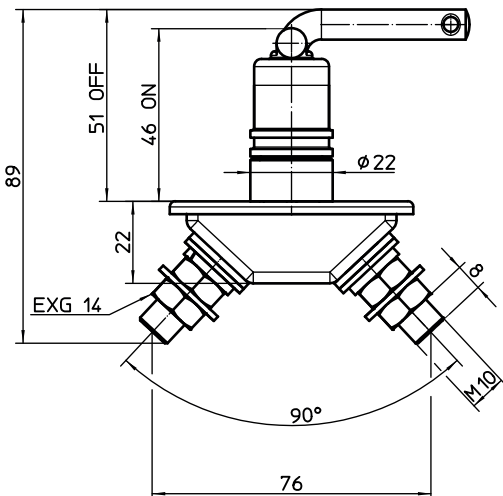
Rated Voltage: 48VDC maximum
 Rated Current: 150/1000 Amps sustained/5 secs
 Configuration: Normally Open (N/O)

PHYSICAL

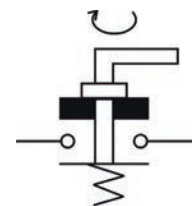
Termination: M10 copper studs
 Stud Torque: 15 ± 1.0 Nm
 Contacts: Copper
 Hardware: Brass nuts and washers
 Construction: 304 stainless steel body and handle
 Environmental: IP63
 Operating Temp: -40°C to +85°C
 Dimensions: 78mmL x 65mmW x 86mmH
 Weight (nominal): 255 Grams with handle and chain

SPARE PARTS

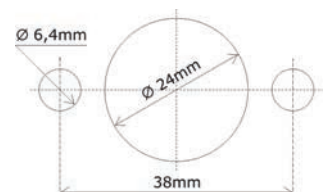
Handle: Order no. 520002
 Boot, chain and strap: Order no. 520024
 Boot and strap: Order no. 520004



Connection



Fixing





Battery Master Switch Single Pole 150A



These quality metal switches are ideal for use in vehicles, materials handling, agricultural and industrial equipment applications, etc. Available in zinc plated steel for general use and stainless steel for marine or corrosive environments.

CODE NUMBER:

500006 - Zinc plated

GENERAL

Removable handle with weather protection.

ELECTRICAL

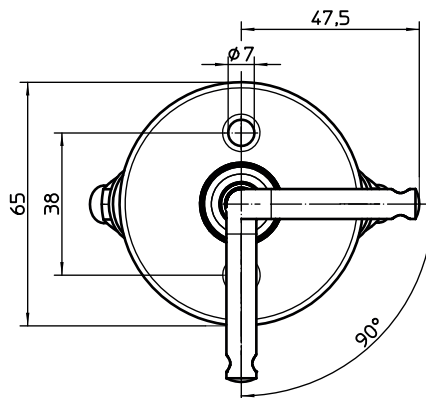
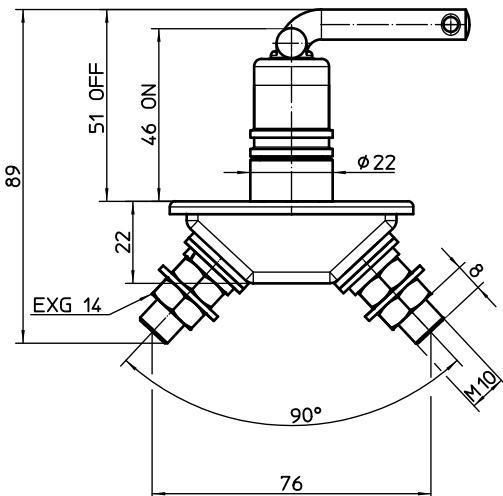
Rated Voltage: 48VDC maximum
 Rated Current: 150/1000 Amps sustained/5 secs
 Configuration: Normally Open (N/O)

PHYSICAL

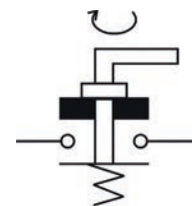
Termination: M10 copper studs
 Stud Torque: 15 ± 1.0 Nm
 Contacts: Copper
 Hardware: Brass nuts and washers
 Construction: Zinc plated steel body and handle
 Environmental: IP63
 Operating Temp: -40°C to +85°C
 Dimensions: 78mmL x 65mmW x 86mmH
 Weight (nominal): 260 Grams with handle and chain

SPARE PARTS

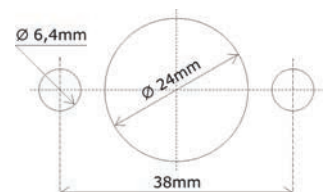
Handle: Order no. 520030
 Boot, chain and strap: Order no. 520022
 Boot and strap: Order no. 520004



Connection



Fixing





Battery Master Switch Single Pole 250A

CODE NUMBER: 500010

GENERAL

Removable heavy duty handle with retaining chain. Includes weather protective boot and seal.

ELECTRICAL

Rated Voltage: 48VDC maximum
Rated Current: 250/2500 Amps sustained/5 secs
Configuration: Normally Open (N/O)

PHYSICAL

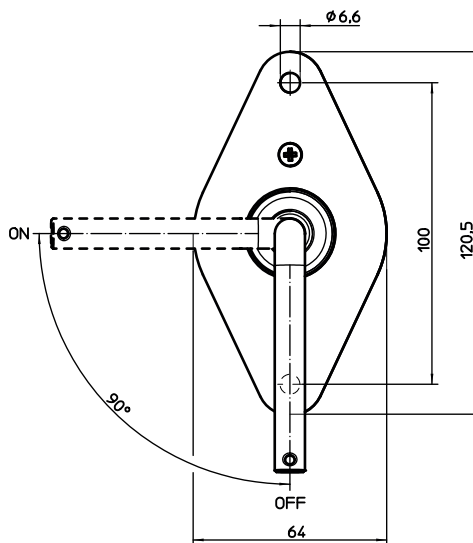
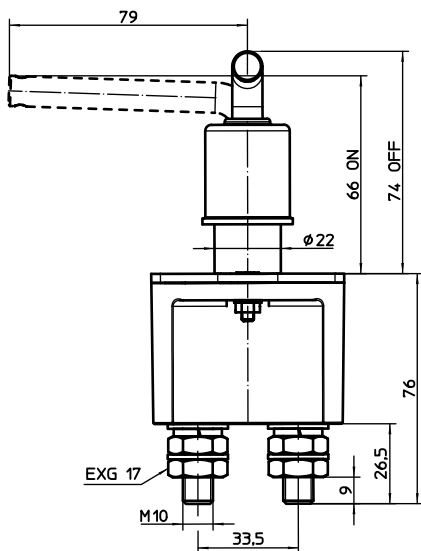
Termination: M10 copper studs
Stud Torque: 15 ± 1.0 Nm
Contacts: Copper
Hardware: Steel nuts and washers
Construction: Reinforced plastic body with zinc plated stamped steel frame and handle.
Environmental: IP65
Operating Temp: -40°C to +85°C
Dimensions: 64mmL x 120.5mmW x 150mmH
Weight (nominal): 565 Grams



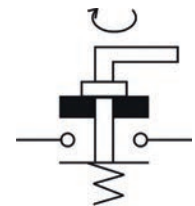
Designed for switching high current loads in various automotive, commercial and industrial vehicles. This high performance switch is constructed from quality materials and sealed to protect from harsh environmental conditions.

SPARE PARTS

Handle: Order no. 520009
Handle, chain, boot and strap: Order no. 520020
Boot and strap: Order no. 520003



Connection



Fixing

