

HELLA BATTERY KEY SWITCH

Imax: 120A continuous

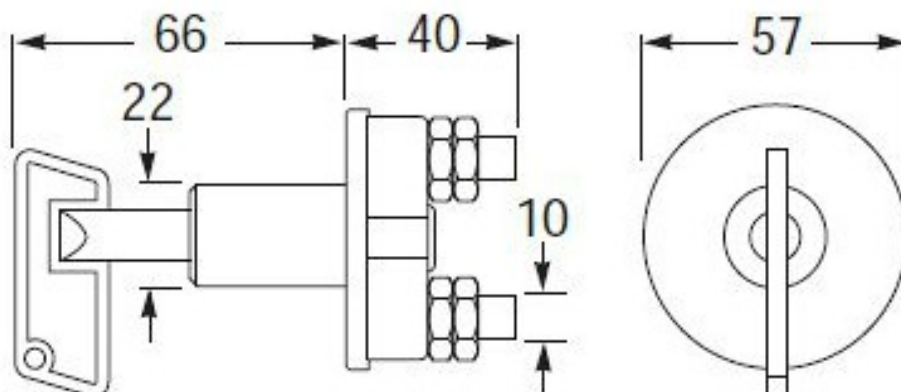
1000A@12V for 10s

500A@24V for 10s

Ingress Protection: IPX4



Hella battery switch, single pole, with removable key. Rated 120A continuous. Max intermittent load 1000A for 10 seconds. Much copied, beware of cheap imitations. Manufactured from non-ferrous metals with seal and O-ring with an impact resistant polymer housing. M10 studs. Cutout d24mm, fastening holes d6,5mm, pitch 38mm. Flange d57mm, protrusion 66mm, intrusion 40mm. Spare key see 151930.



Part Number: 150000

Description

Hella battery Key Switch

(Hella 2764)