

## Leece Neville 12V 130A Alternator



- Leece Neville Alternator, 101mm saddle mount, w fan, no pulley, suitable for use on some Volvo engines.

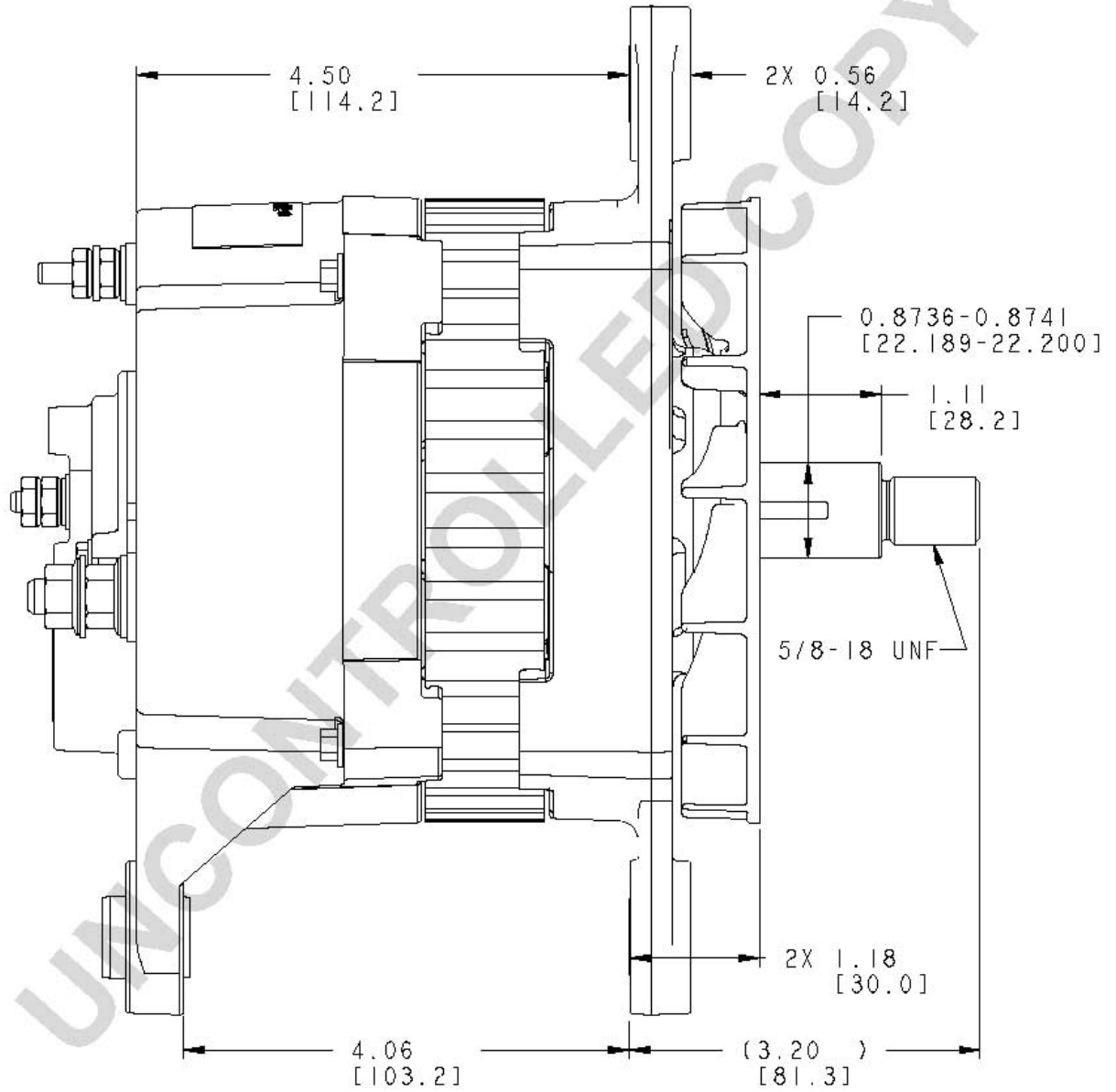
Spec	Value
Item number	MDA2932
Series number	MDA/P
Notes	M4 DIODE TRIO STUD, CASE GROUND
System voltage	12
Output	150
Mounting style	J-180
Rotation	CLOCKWISE
Housing coating	RAW
Mounting ear size	1/2-13
Positive stud	M8
Negative stud	M6
Rectifier location	INTEGRAL
Shaft diameter	.8736-.8741
Excitation type	Self Excite
Regulator location	Integral

### Part Number

Alternator Leece Neville  
100130 (MDA2932)

# MDA2932

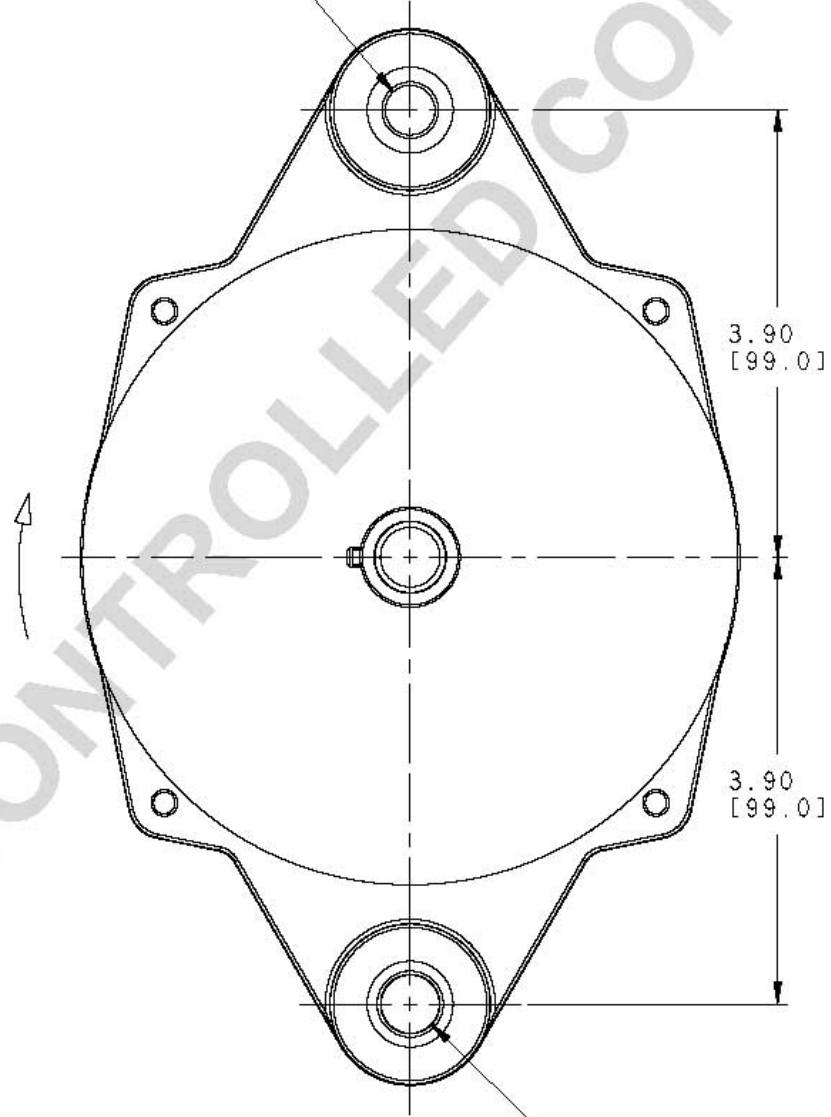
## Side



MDA2932

Front

1/2-13 UNC-2B THREAD



CLEARANCE HOLE FOR 1/2" MOUNTING BOLT

# MDA2932 Performance Curve

