

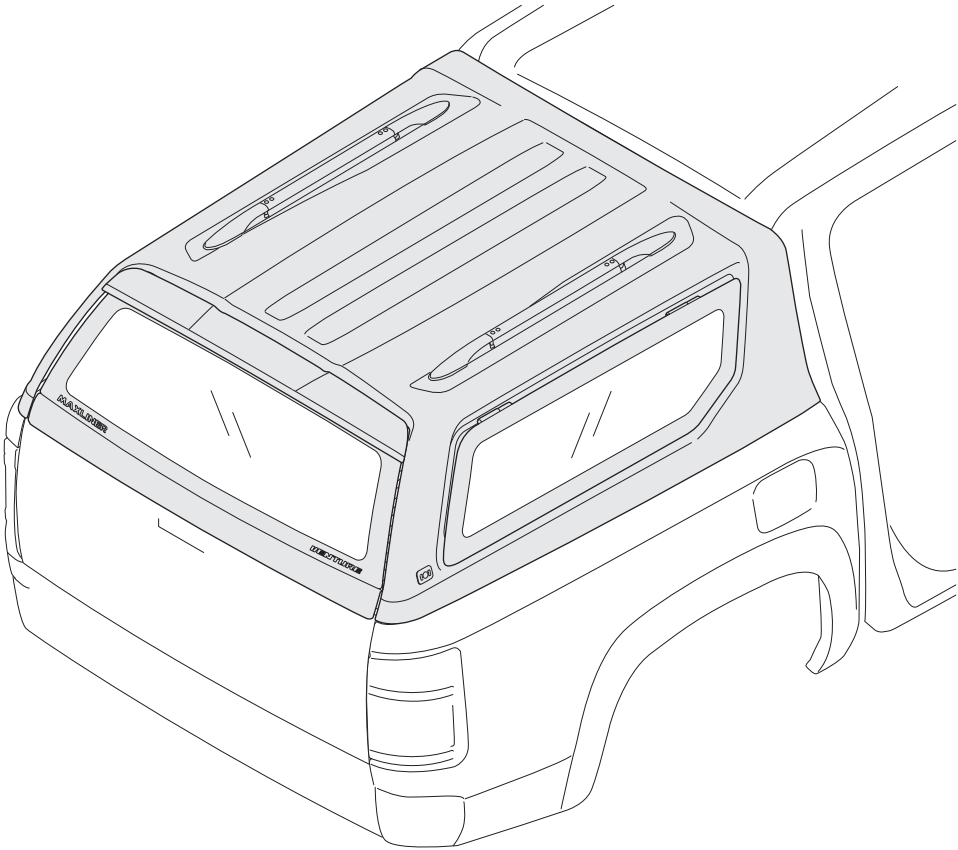


MAXLINER

**INSTALLATION
INSTRUCTIONS
MANUAL**

VENTURE CANOPY W/SIDE LIFT WINDOW

BYD SHARK DBC 2026 (RHD)



Contact us

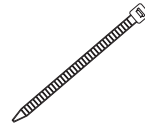
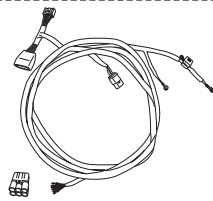
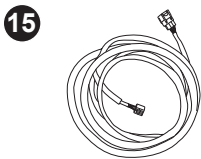
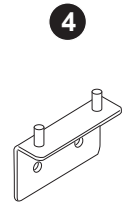
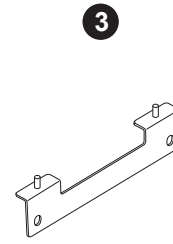
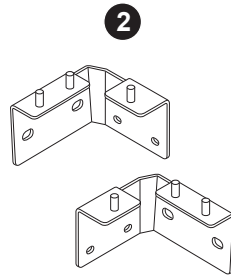
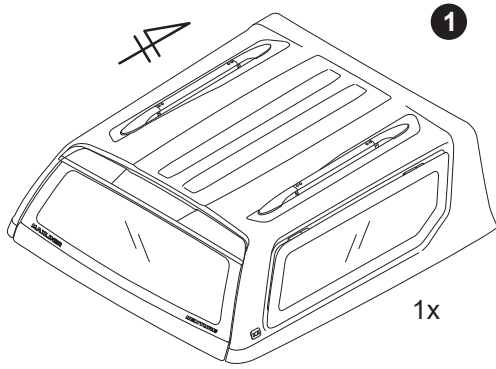


THAILAND OFFICE
 ☎ +66 38 468 008 ext 2001
 ✉ info@maxliner.com
 🏠 700/135 Moo 5, Amata Nakorn,
 Klontumru, Muang, Chonburi 20000 Thailand

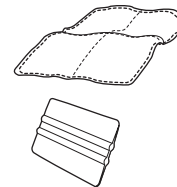
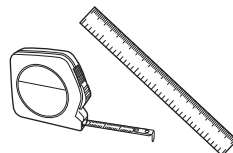
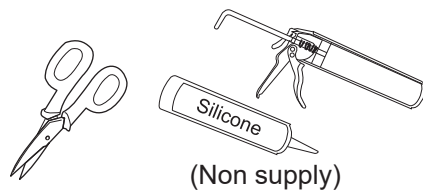
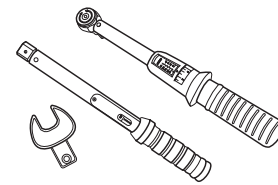
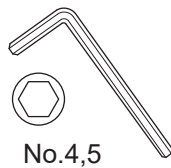
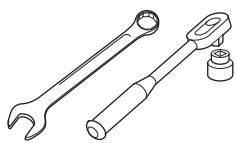
EUROPE OFFICE
 ☎ +31 8 5020 1887
 ✉ infoEurope@vandapac.com
 🏠 Parallelweg 46 – 48 5121LD Rijen, Netherlands
 VAT Identification Number : NL858744272801

AUSTRALIA/OCEANIA OFFICE
 ☎ +61 1800 592 192
 ✉ sales@maxliner.com.au
 🏠 2 Dexter Drive Epping 3076 VIC Australia

Component parts



Tools used



Caution for installation

Read this mounting manual carefully, before you start the installation.

1. Area where to install product should be clean.
2. During installation, person who installed should take off any ornaments.
3. Wear the protective eyewear before installation.

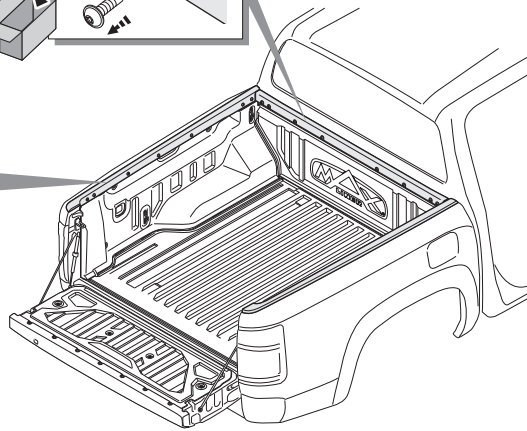
Instruction procedure

1

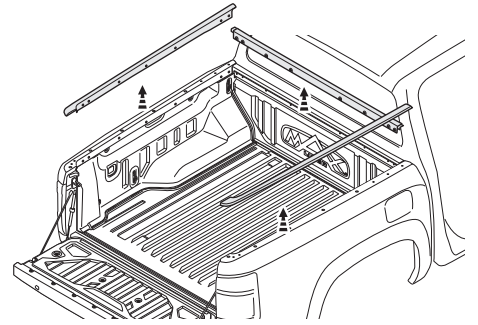


1.1

(8x)



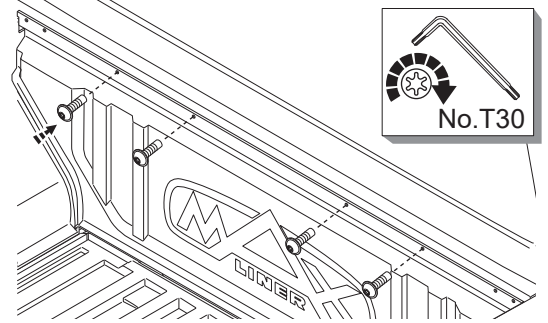
1.2



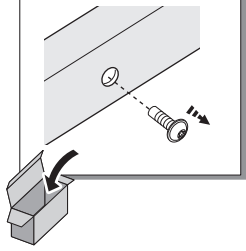
1.3



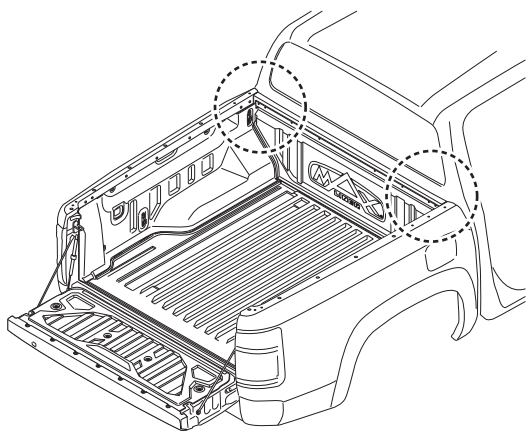
(4x)



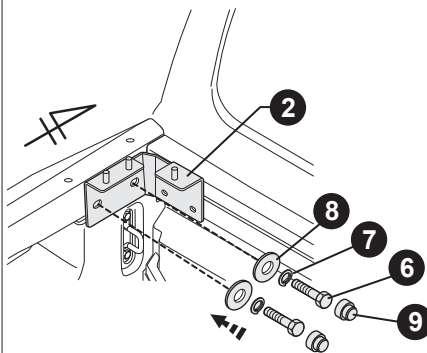
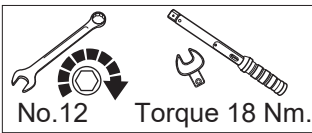
LH/RH (14x)



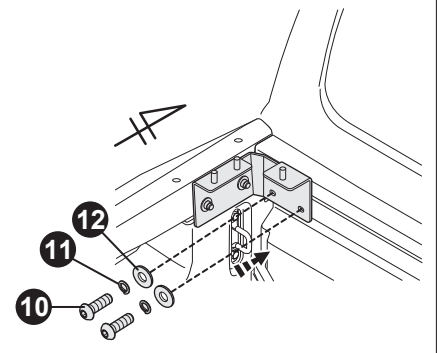
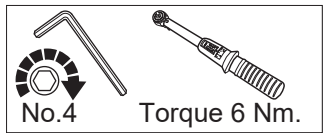
2



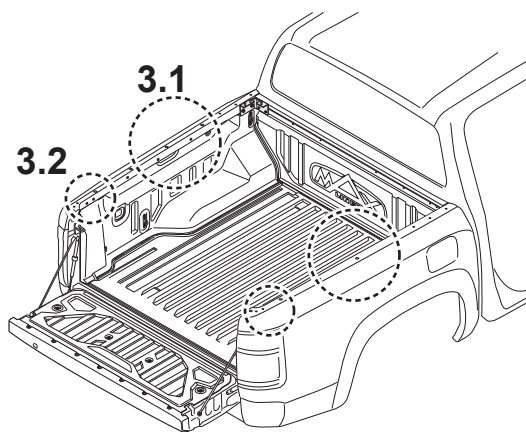
1st



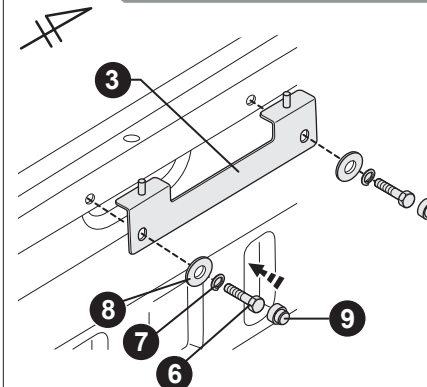
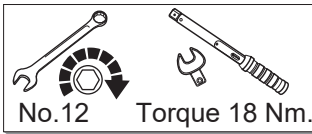
2nd



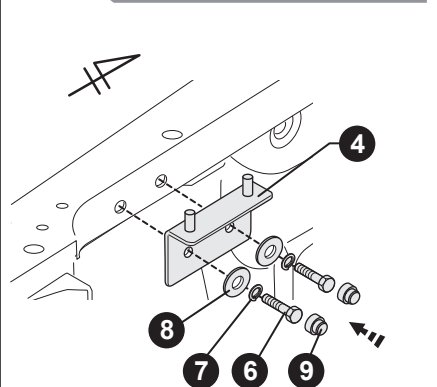
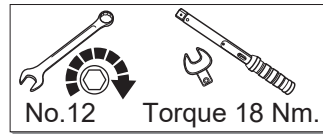
3



3.1

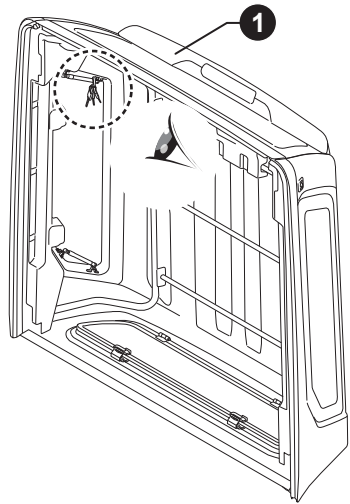
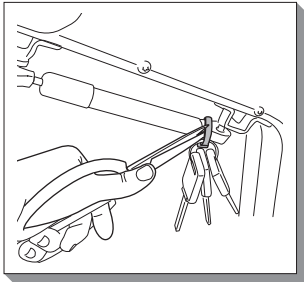
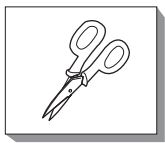


3.2

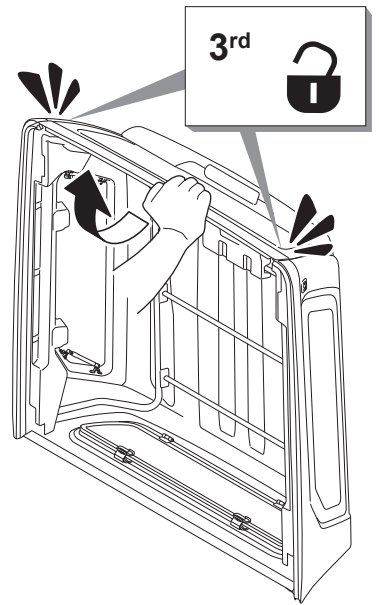
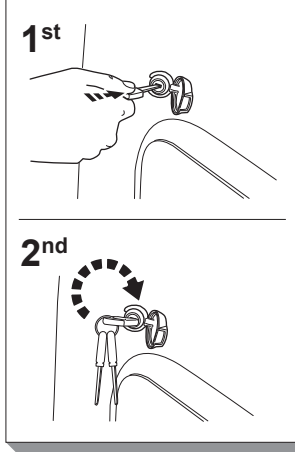


Instruction procedure

4

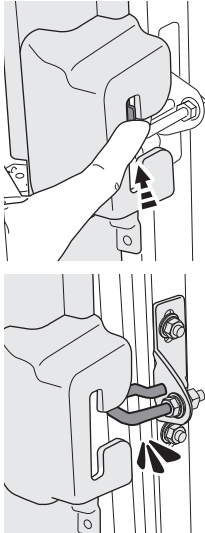


5



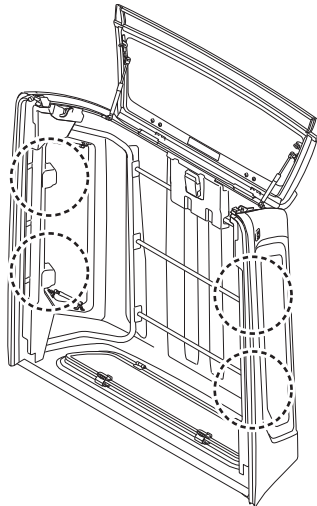
6

6.1

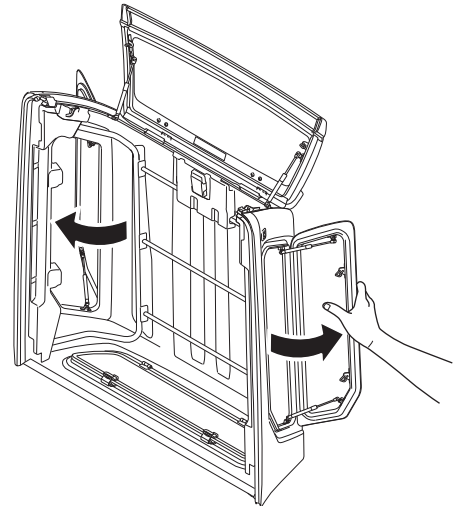


1st

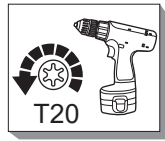
2nd



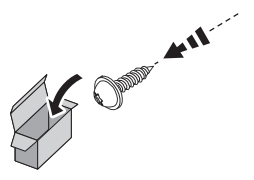
6.2



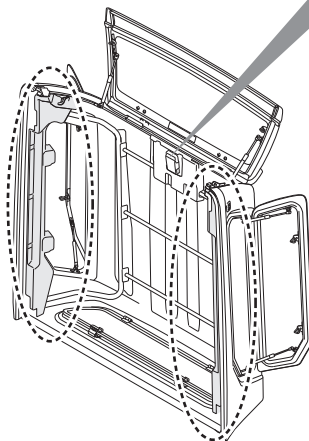
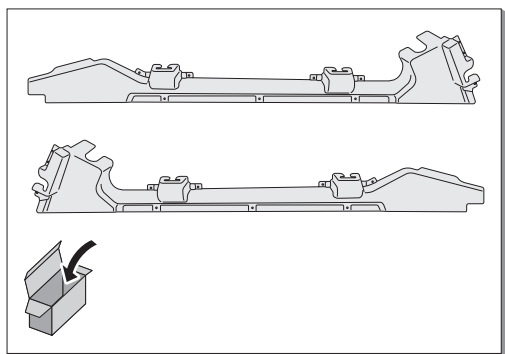
7



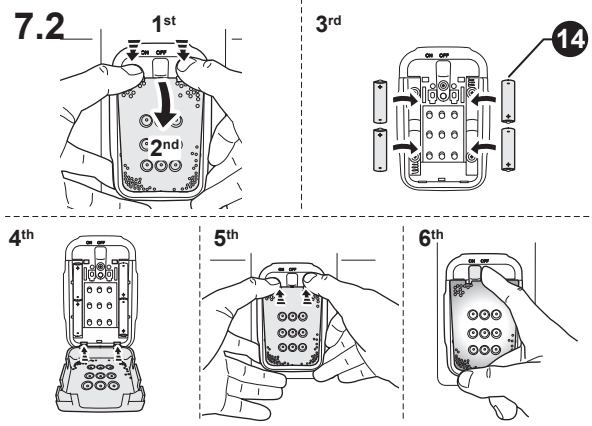
LH/RH (24x)



7.1

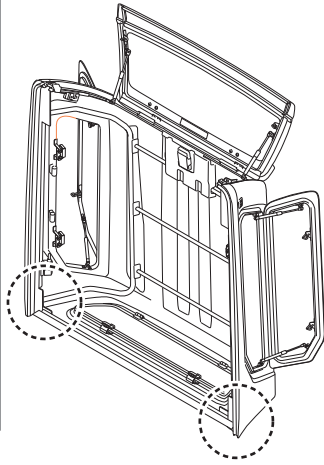
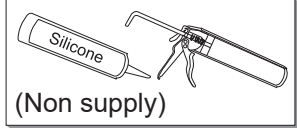
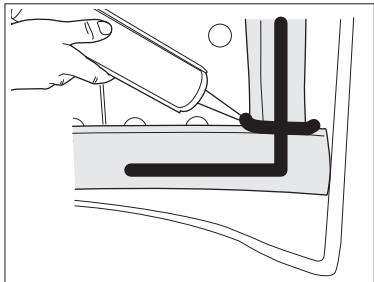


7.2

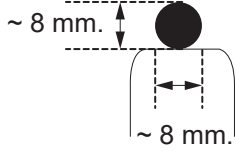


Instruction procedure

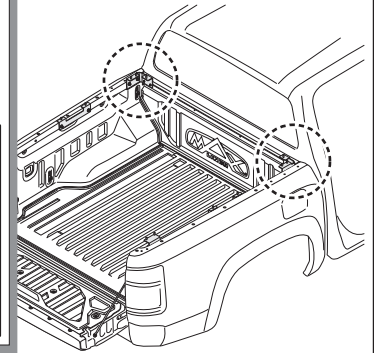
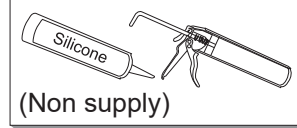
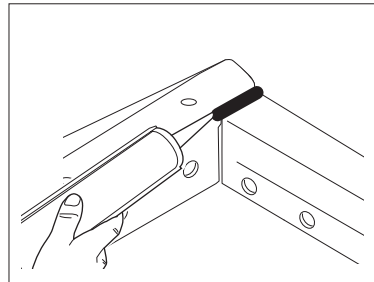
8



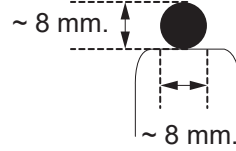
Section



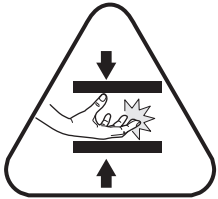
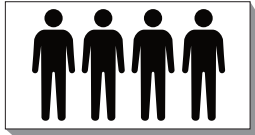
9



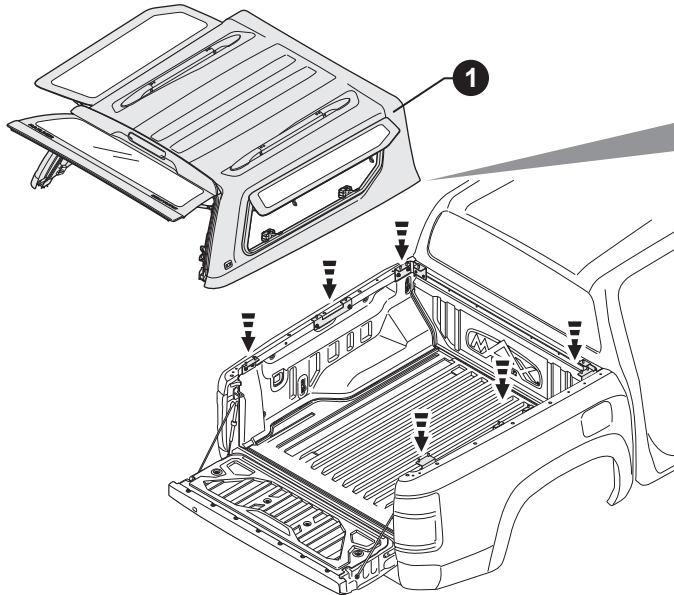
Section



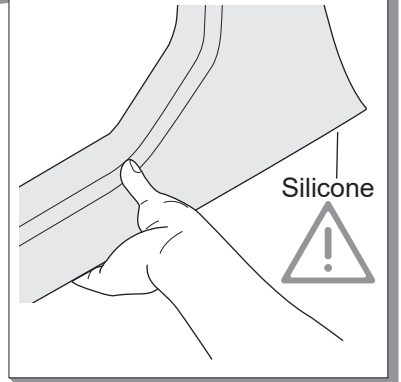
10



BEWARE OF CRUSHING HAND

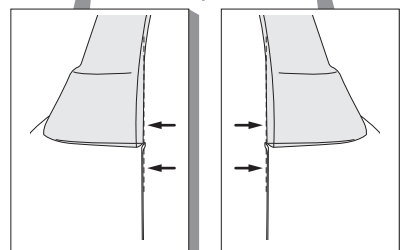
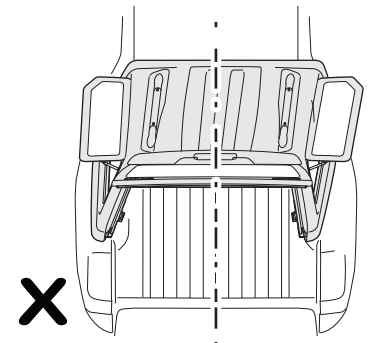
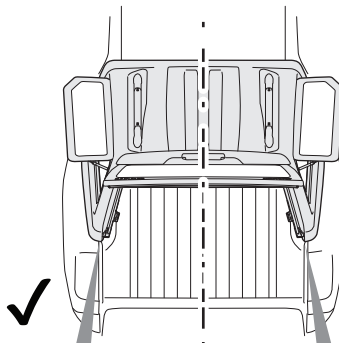
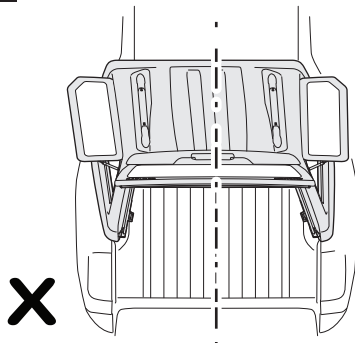


LH/RH



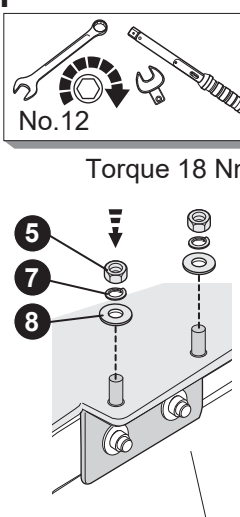
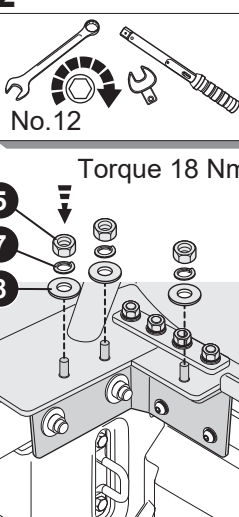
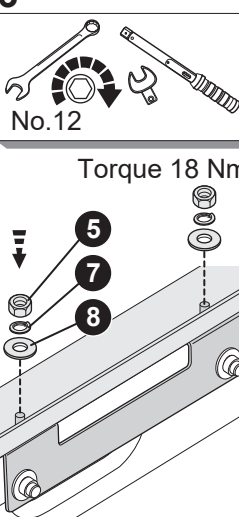
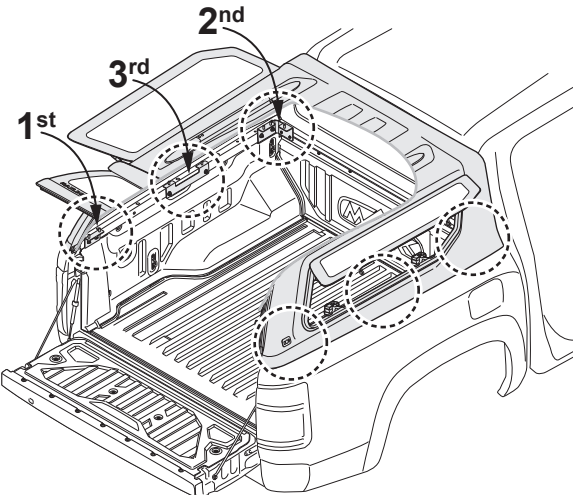
11

LH = RH



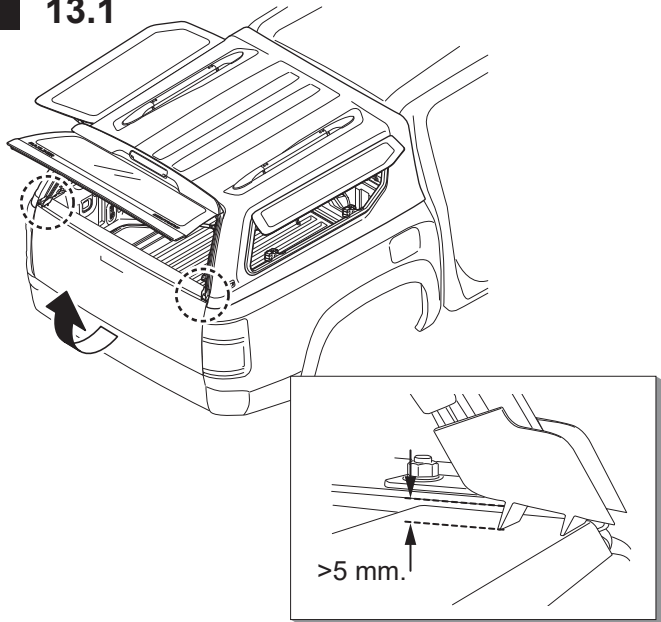
Instruction procedure

12

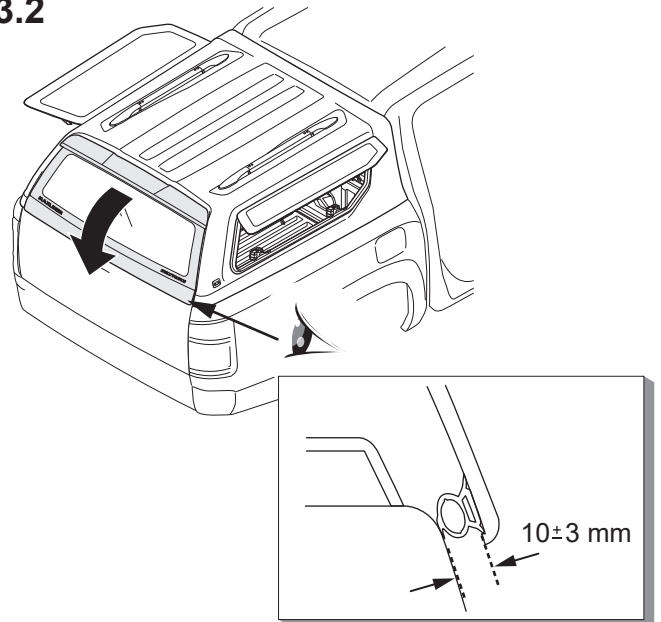
<p>1st</p>  <p>No.12</p> <p>Torque 18 Nm.</p> <p>5 7 8</p>	<p>2nd</p>  <p>No.12</p> <p>Torque 18 Nm.</p> <p>5 7 8</p>	<p>3rd</p>  <p>No.12</p> <p>Torque 18 Nm.</p> <p>5 7 8</p>	 <p>1st 2nd 3rd</p>
--	---	---	--

13

13.1

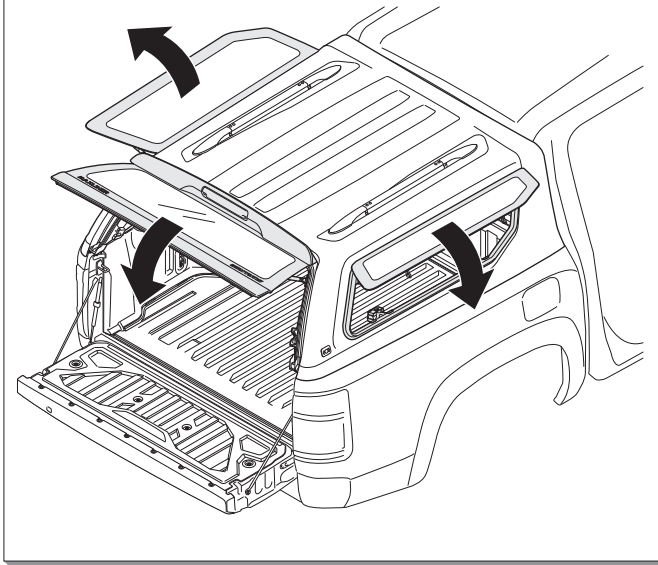


13.2

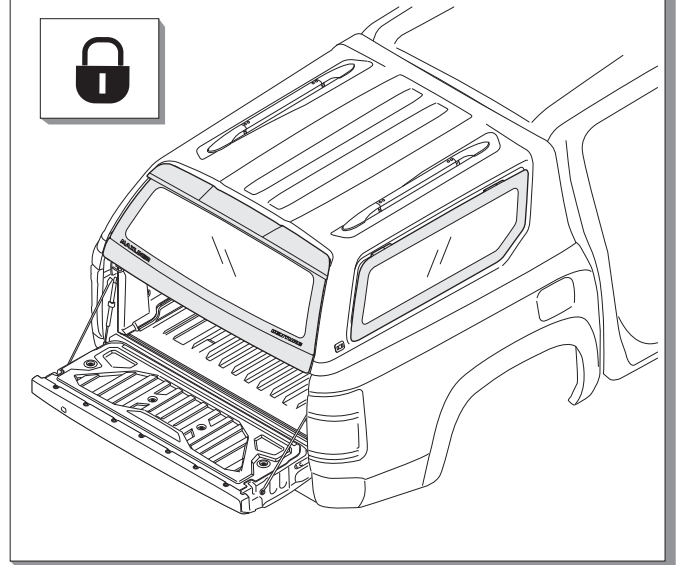


14

14.1

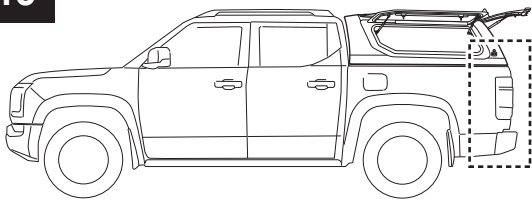


14.2

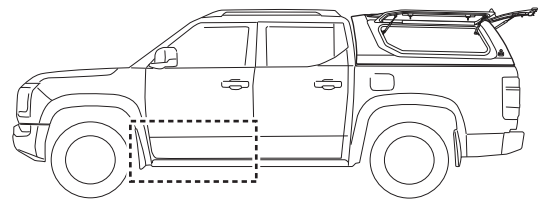


Instruction procedure

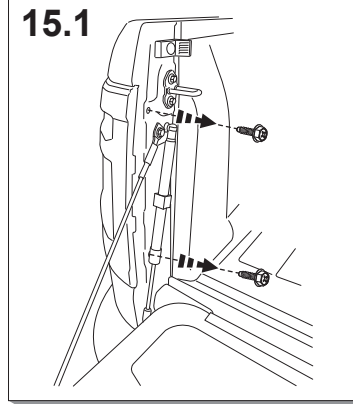
15



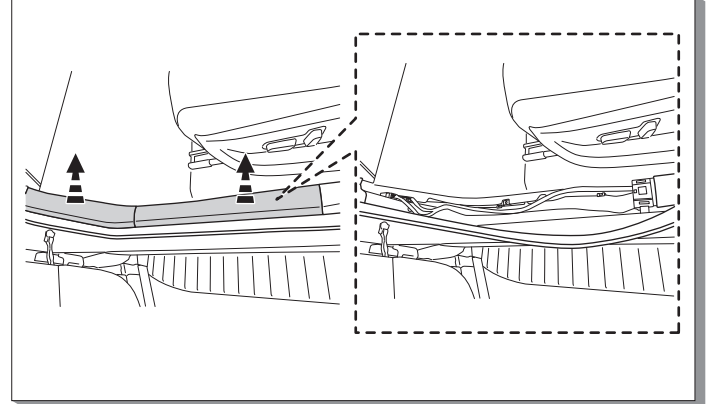
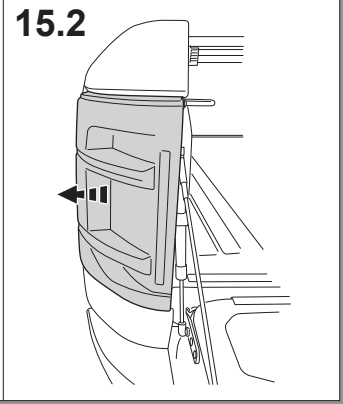
16



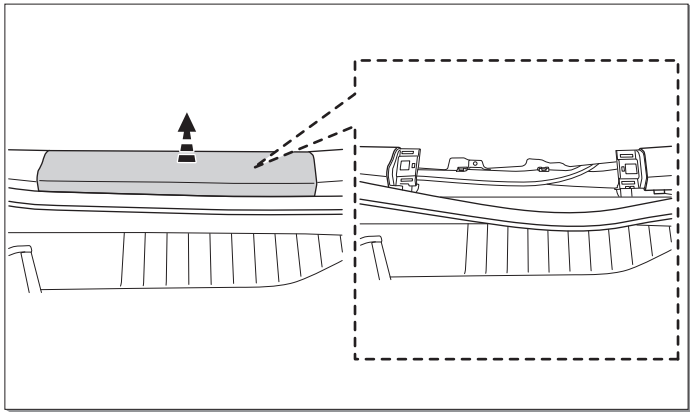
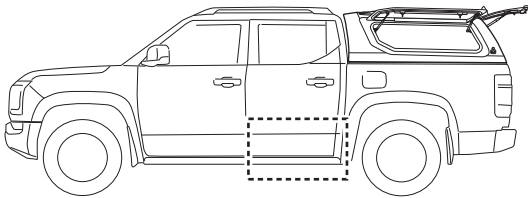
15.1



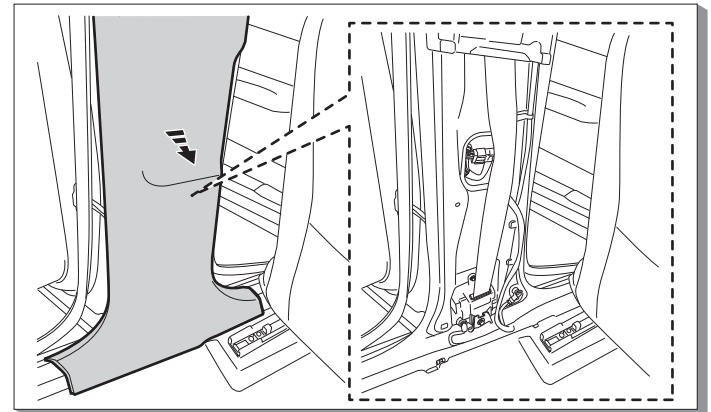
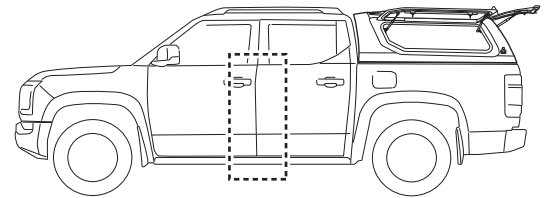
15.2



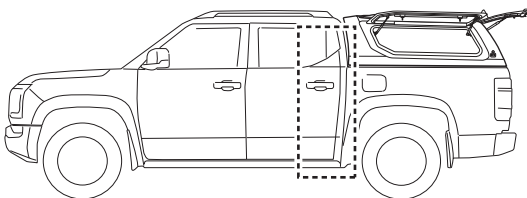
17



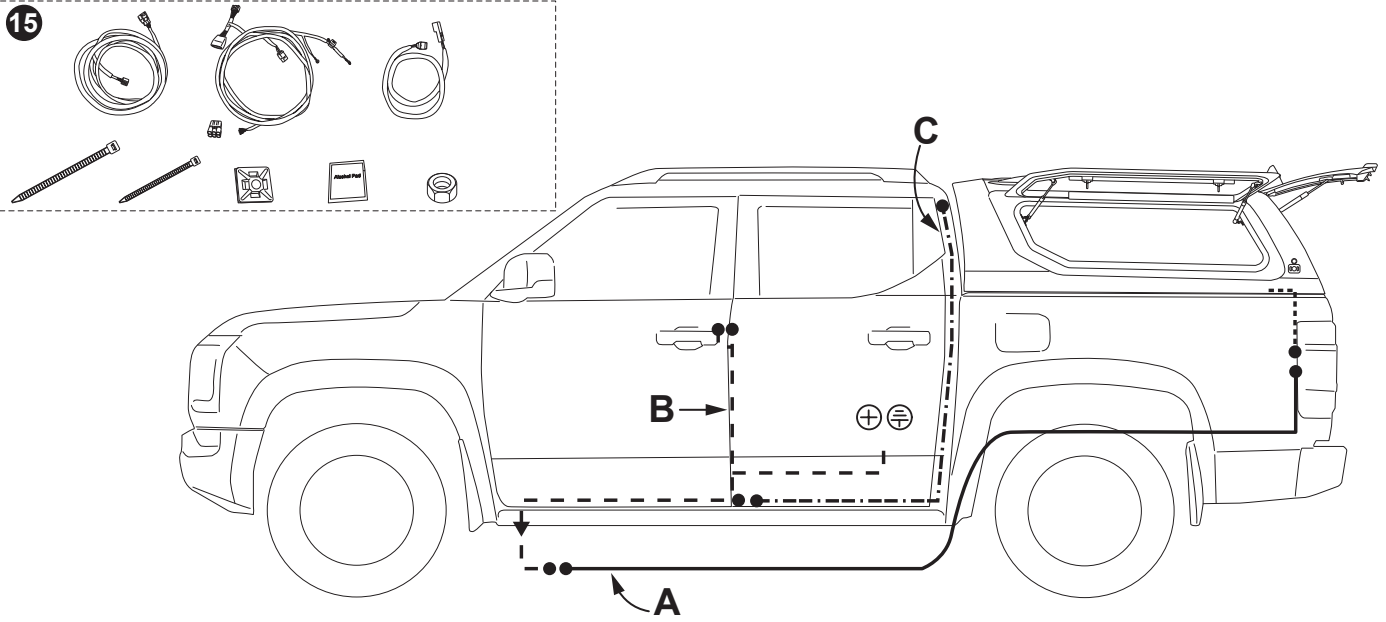
18



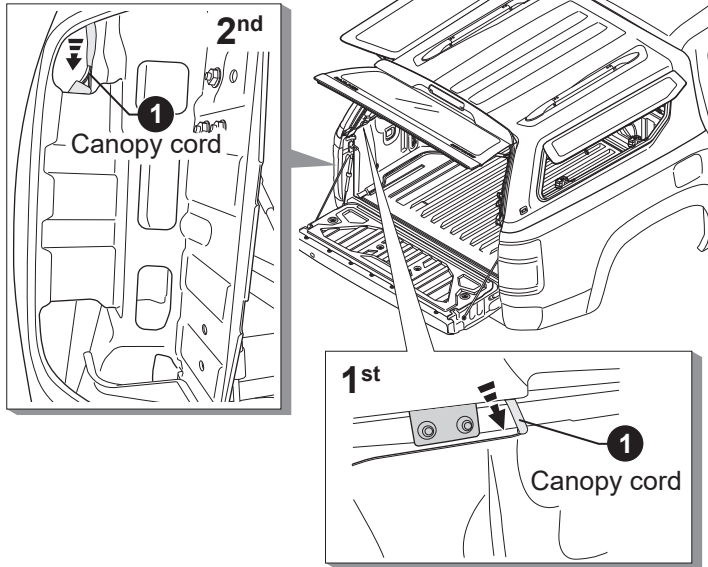
19



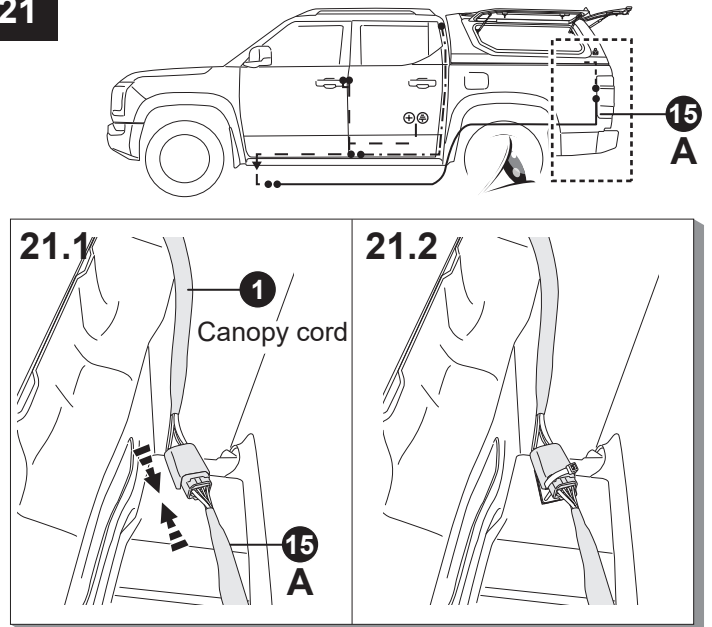
Instruction procedure



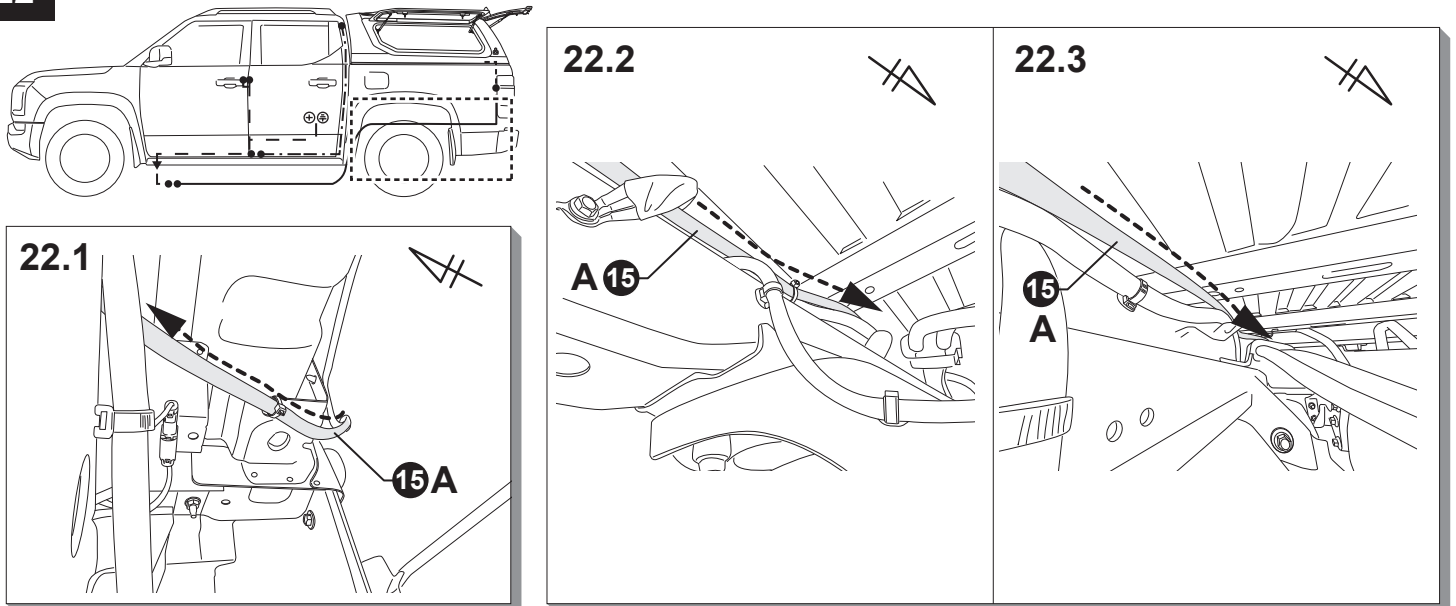
20



21

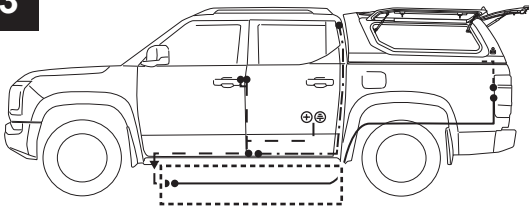


22

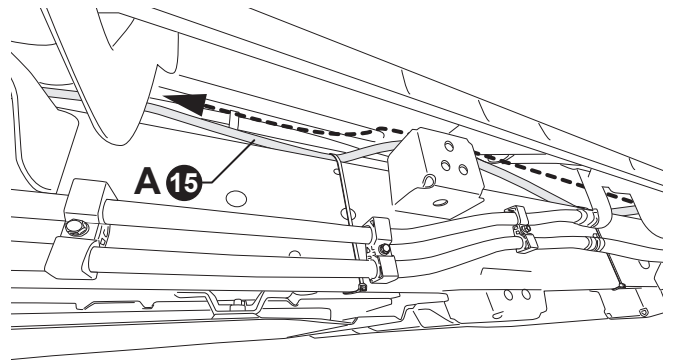


Instruction procedure

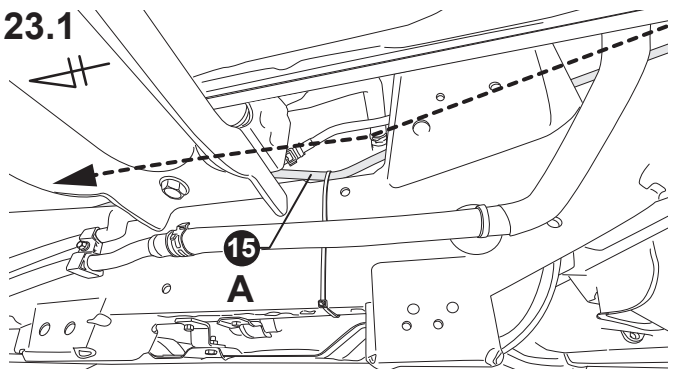
23



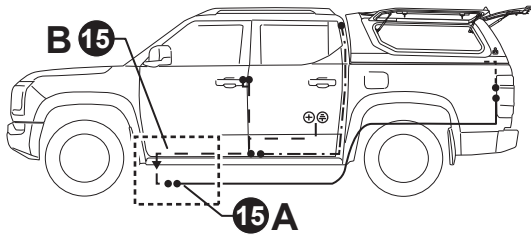
23.2



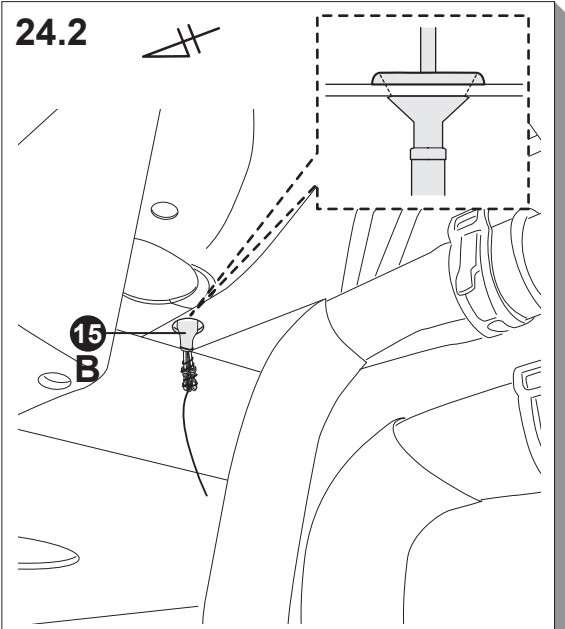
23.1



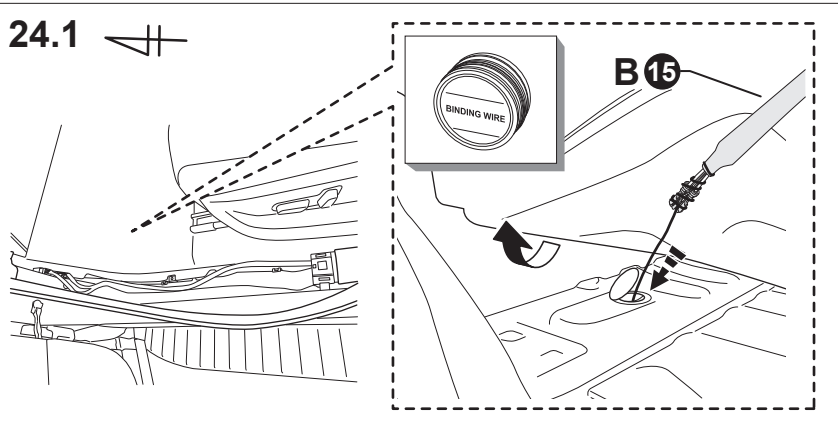
24



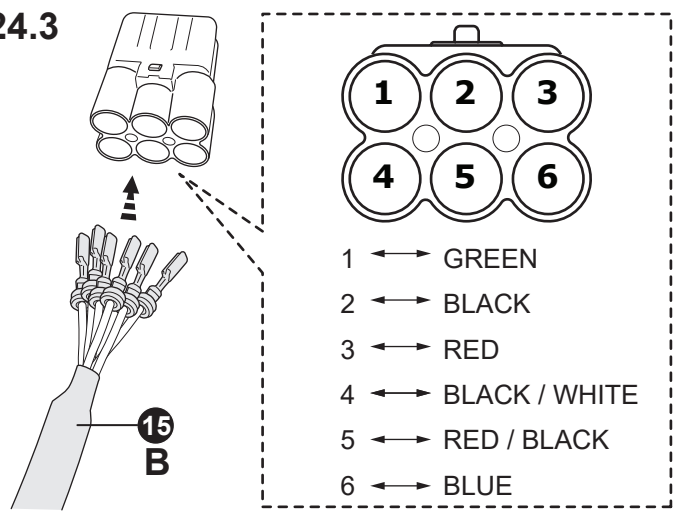
24.2



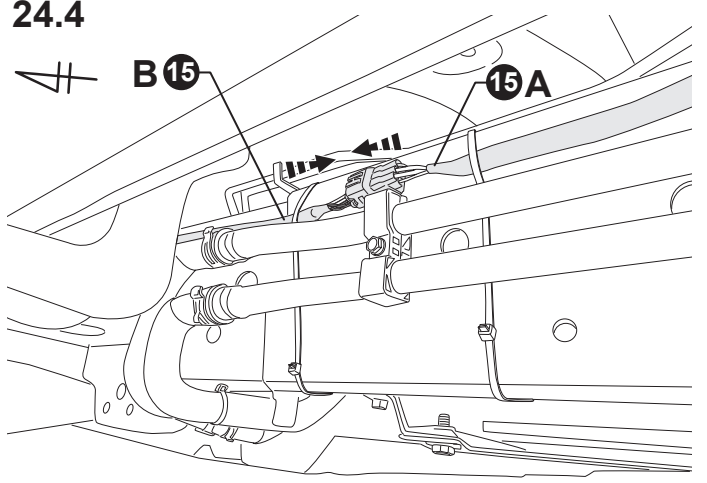
24.1



24.3

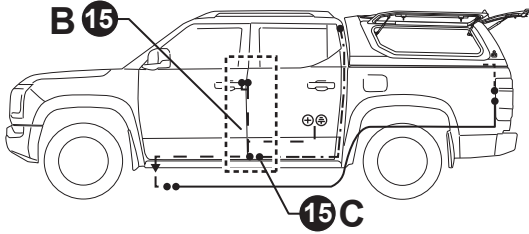


24.4

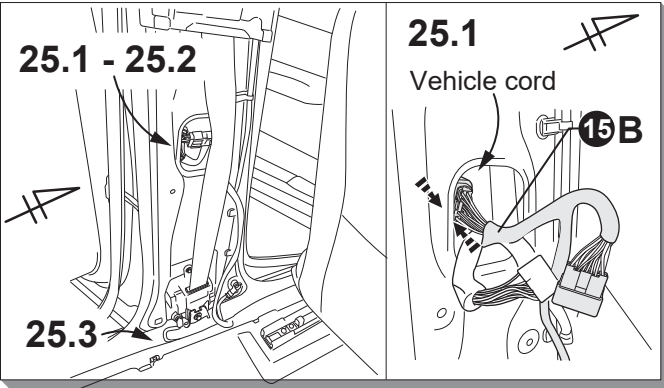


Instruction procedure

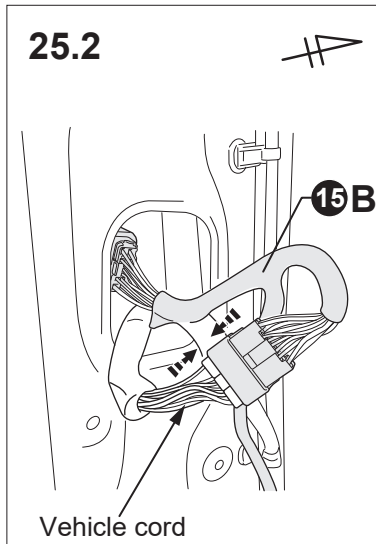
25



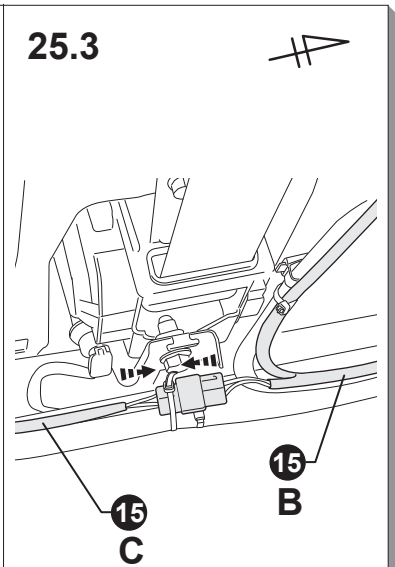
25.1 - 25.2



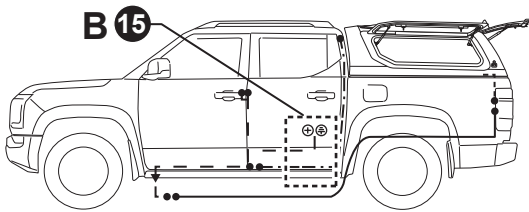
25.2



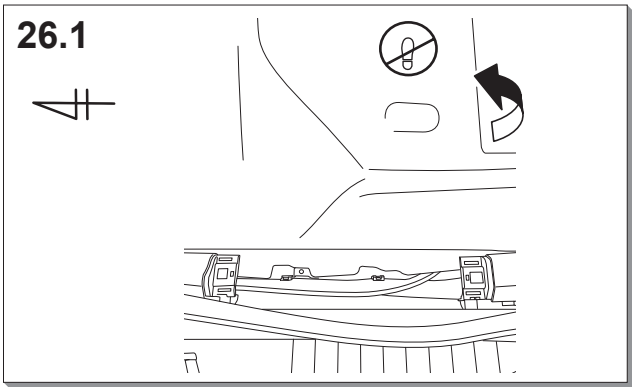
25.3



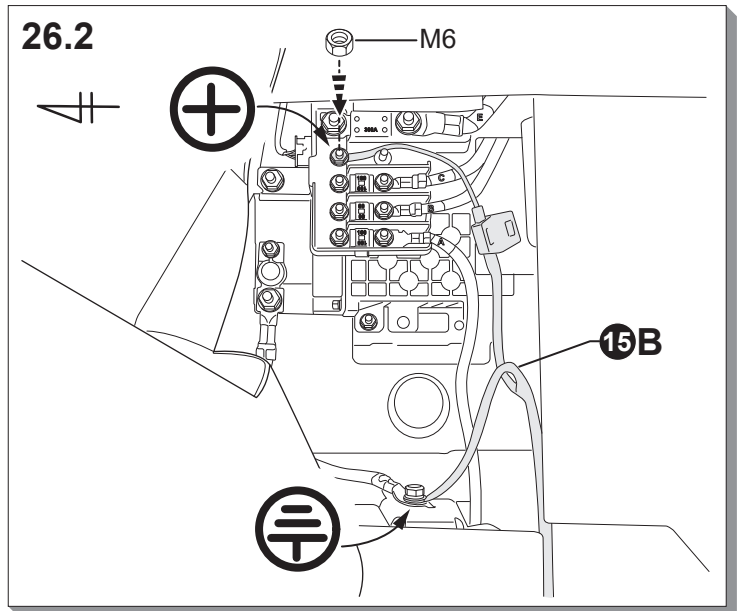
26



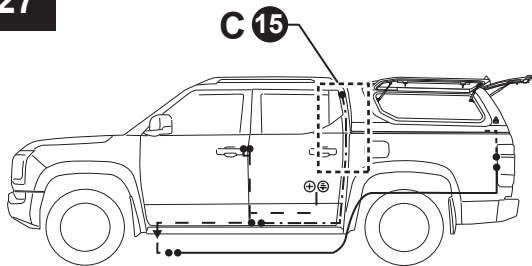
26.1



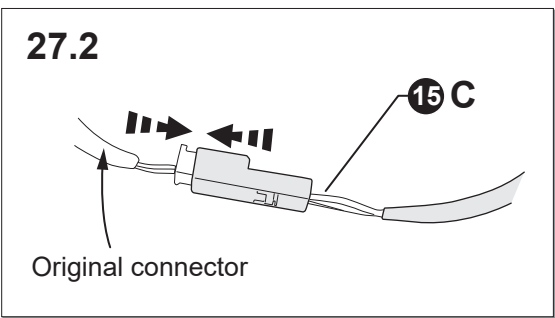
26.2



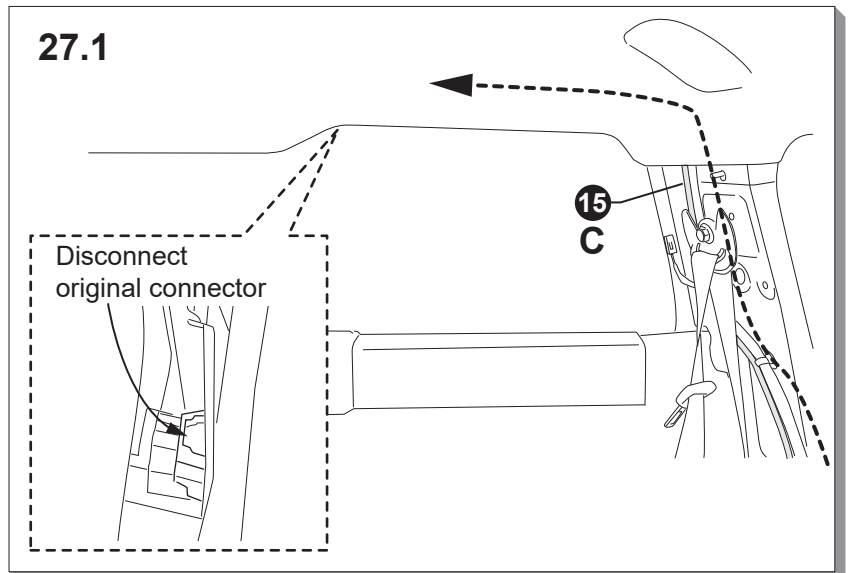
27



27.2

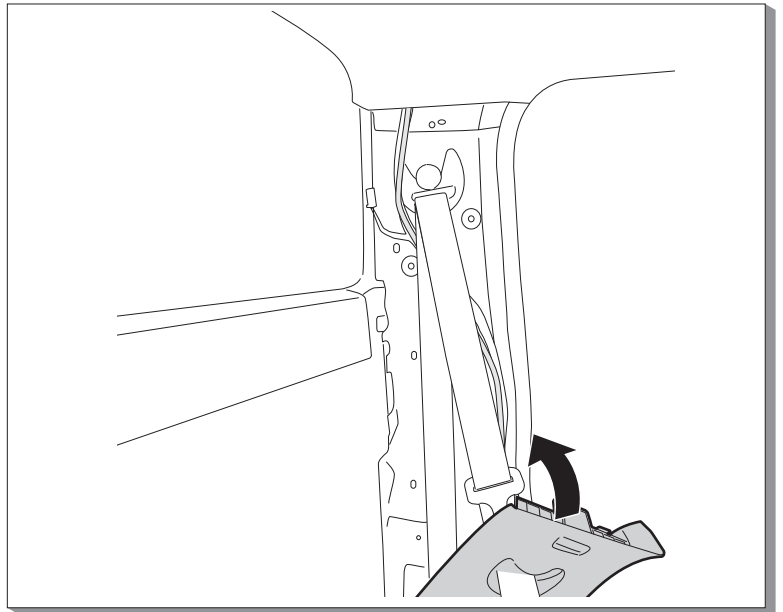
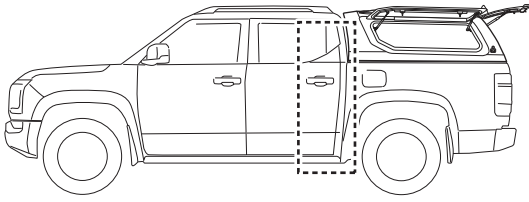


27.1

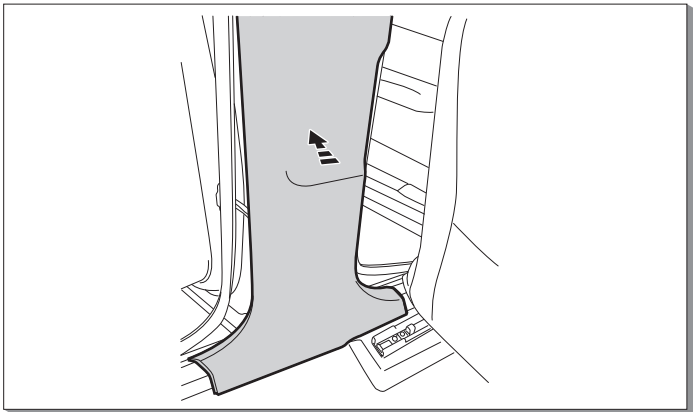
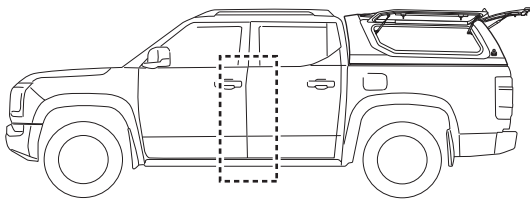


Instruction procedure

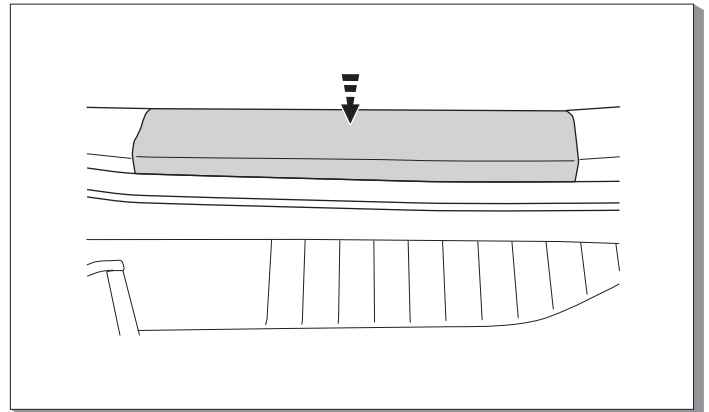
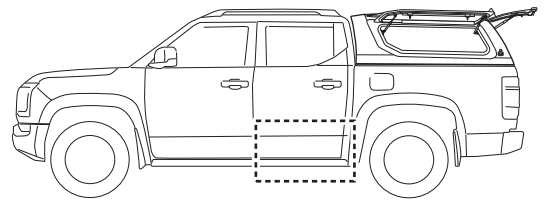
28



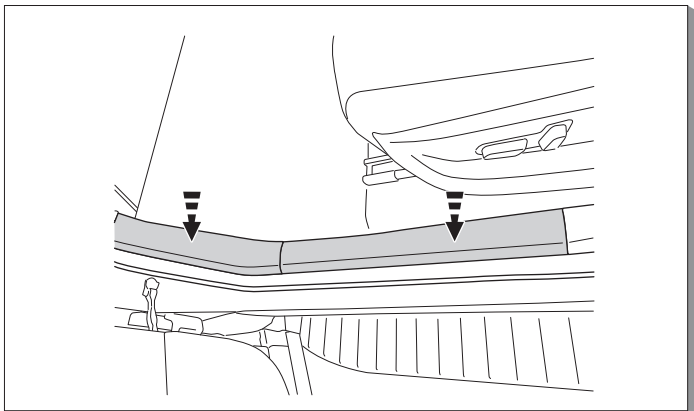
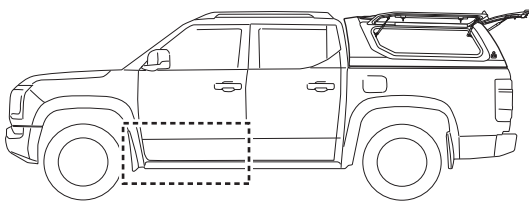
29



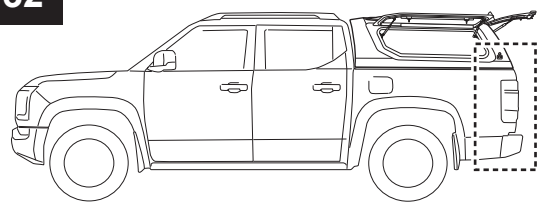
30



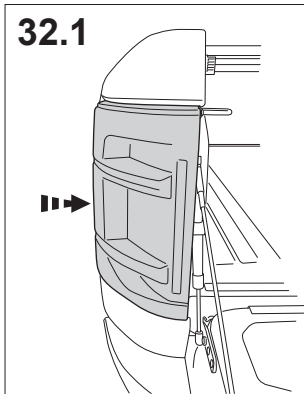
31



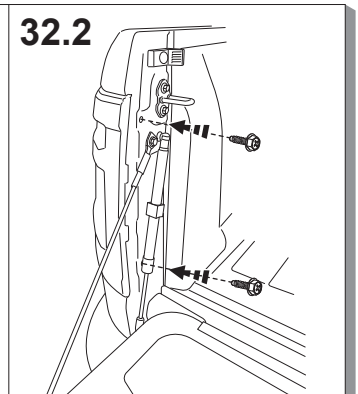
32



32.1



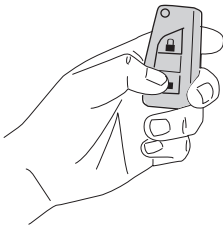
32.2



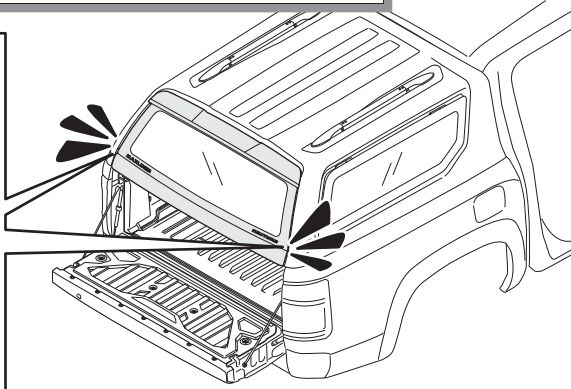
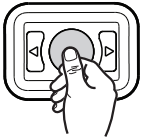
Instruction procedure

33

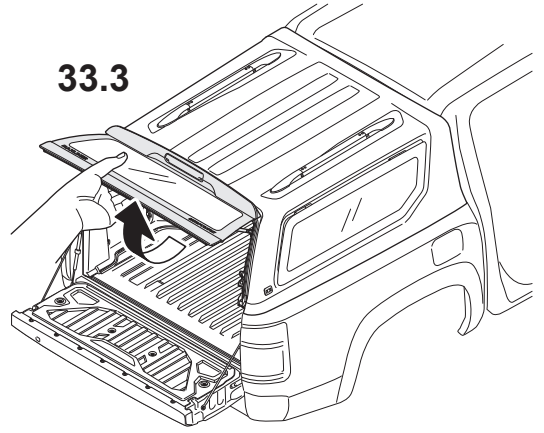
33.1



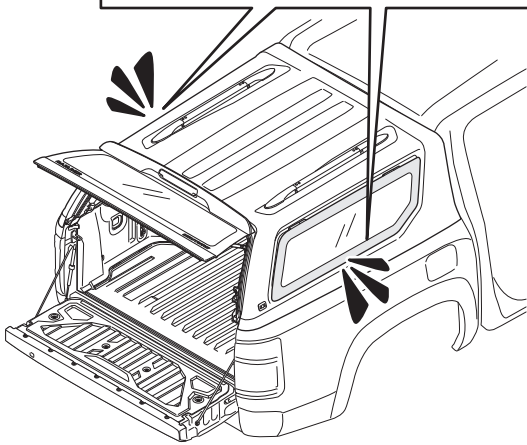
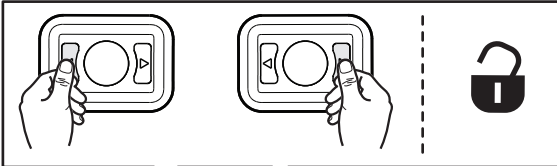
33.2



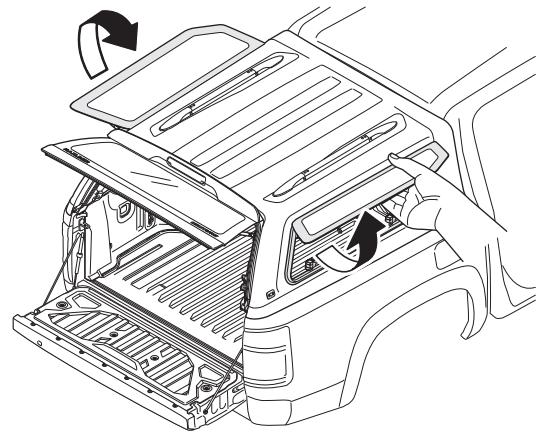
33.3



33.4

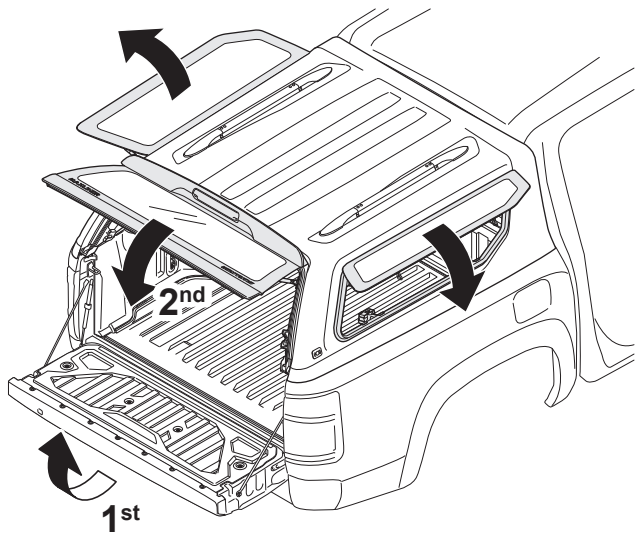


33.5

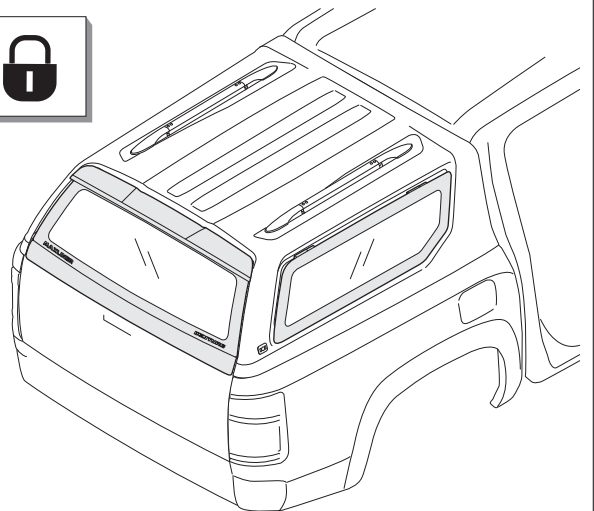


34

34.1



34.2

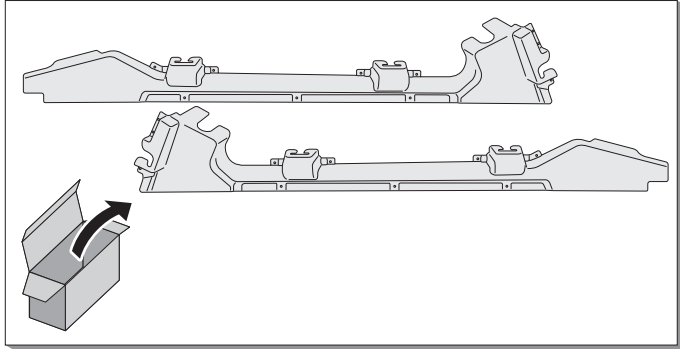
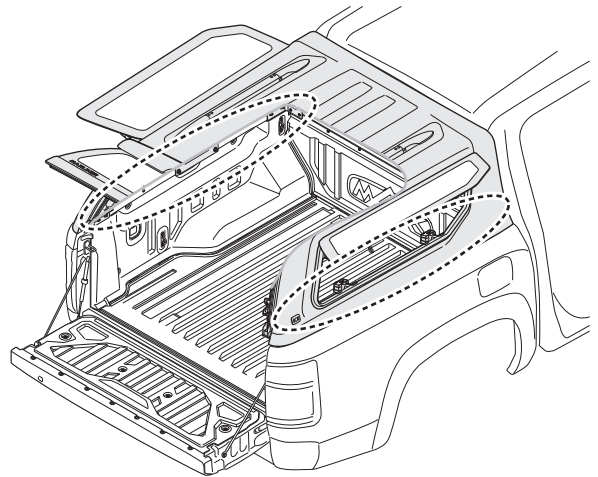
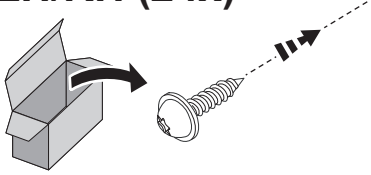


Instruction procedure

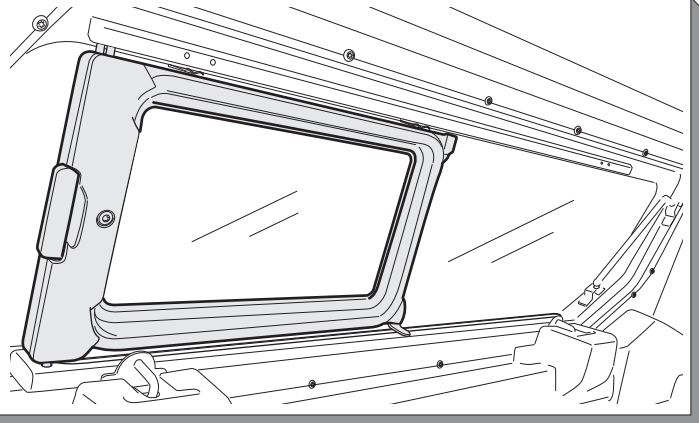
35



LH/RH (24x)

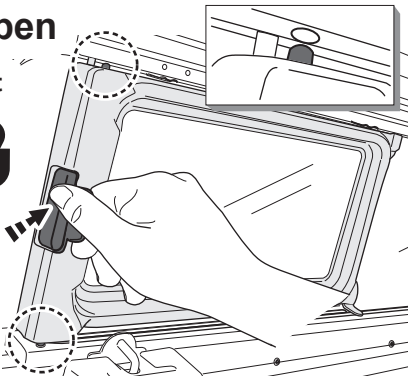


※ Slide in lift up window

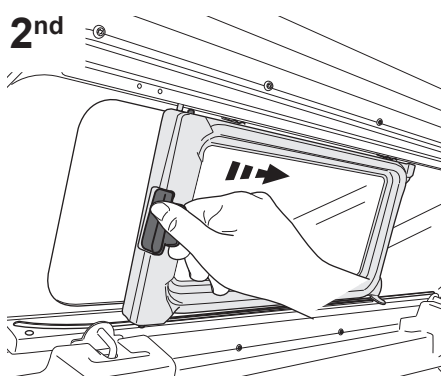


Open

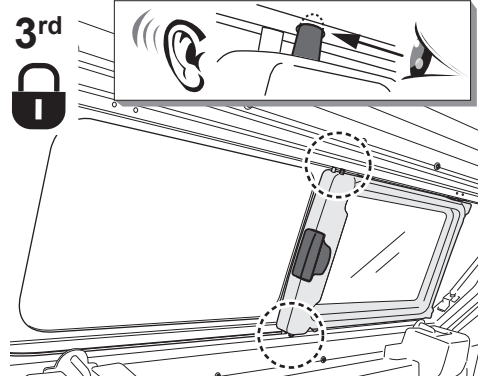
1st



2nd

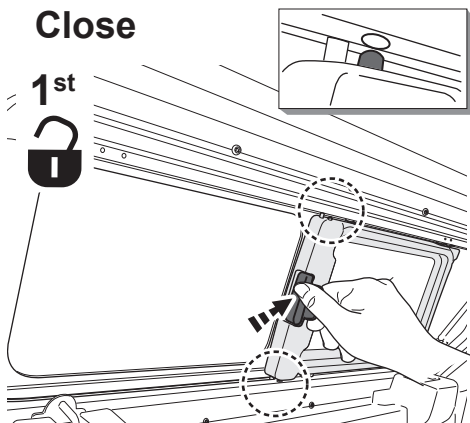


3rd

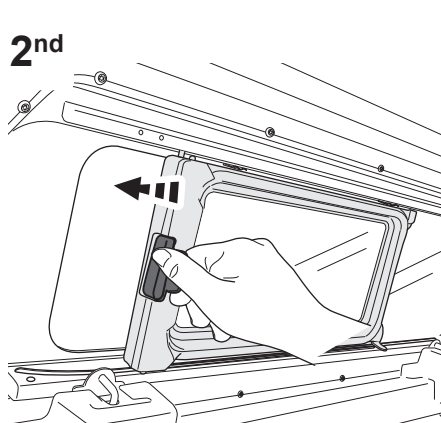


Close

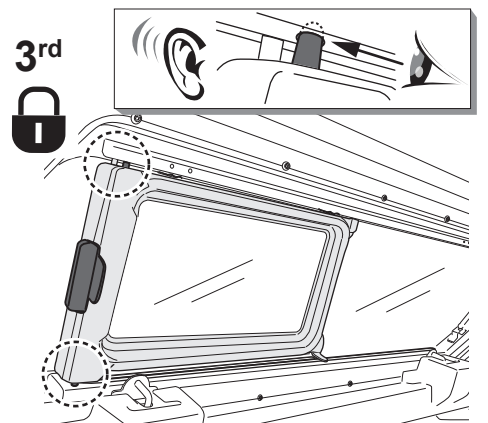
1st



2nd

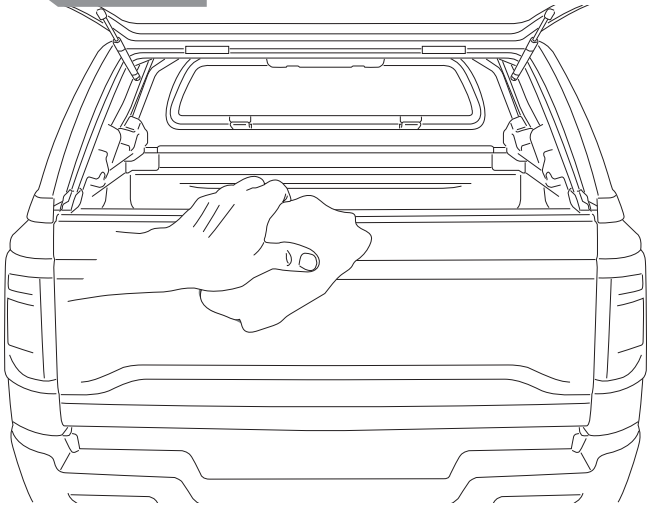
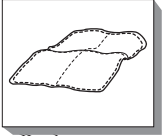


3rd

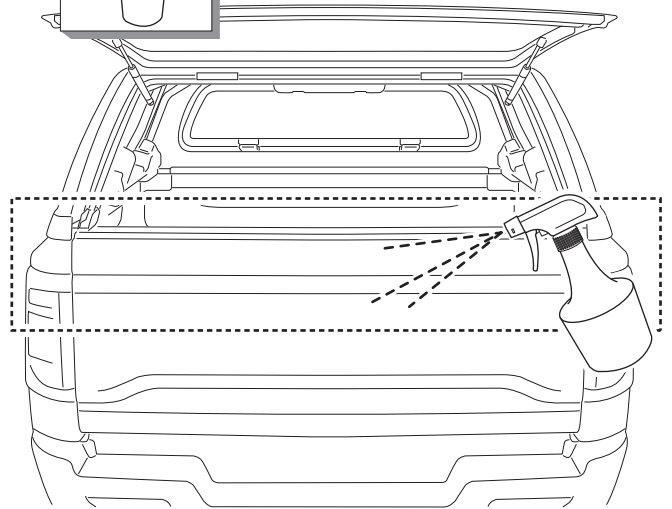


Instruction procedure

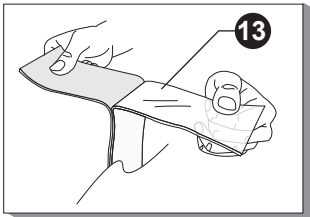
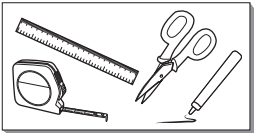
36



37

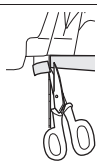


38

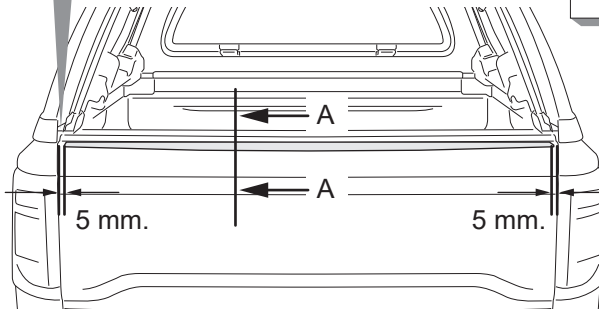
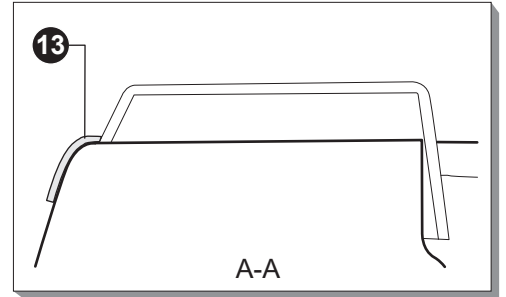


LH/RH

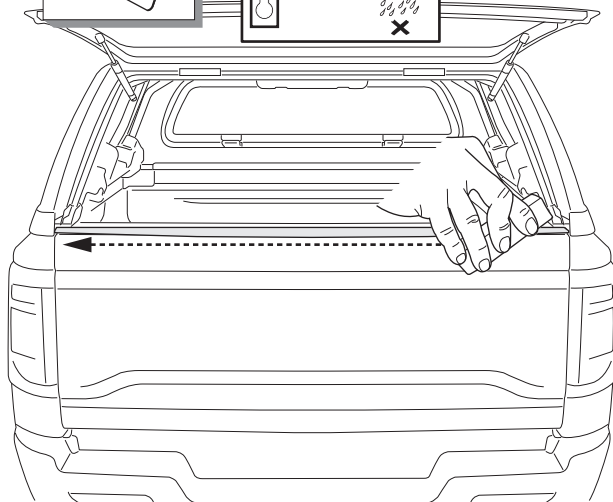
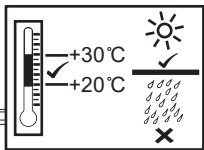
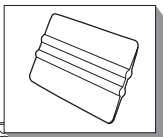
5 mm.



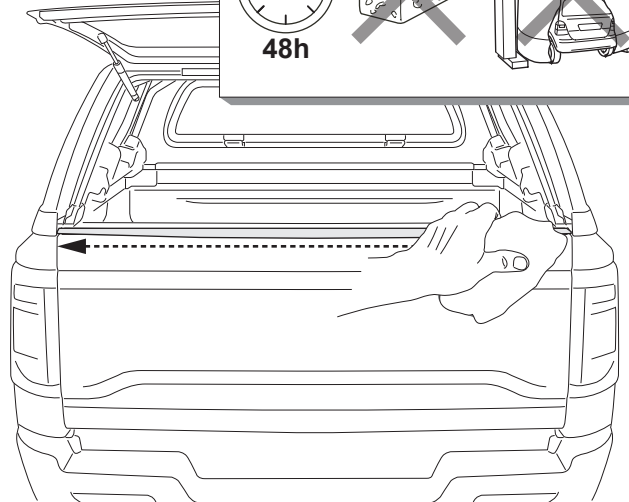
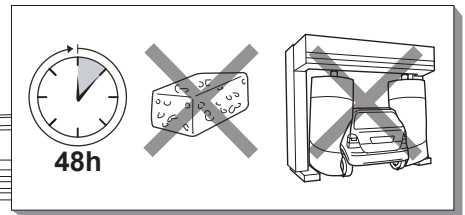
13



39

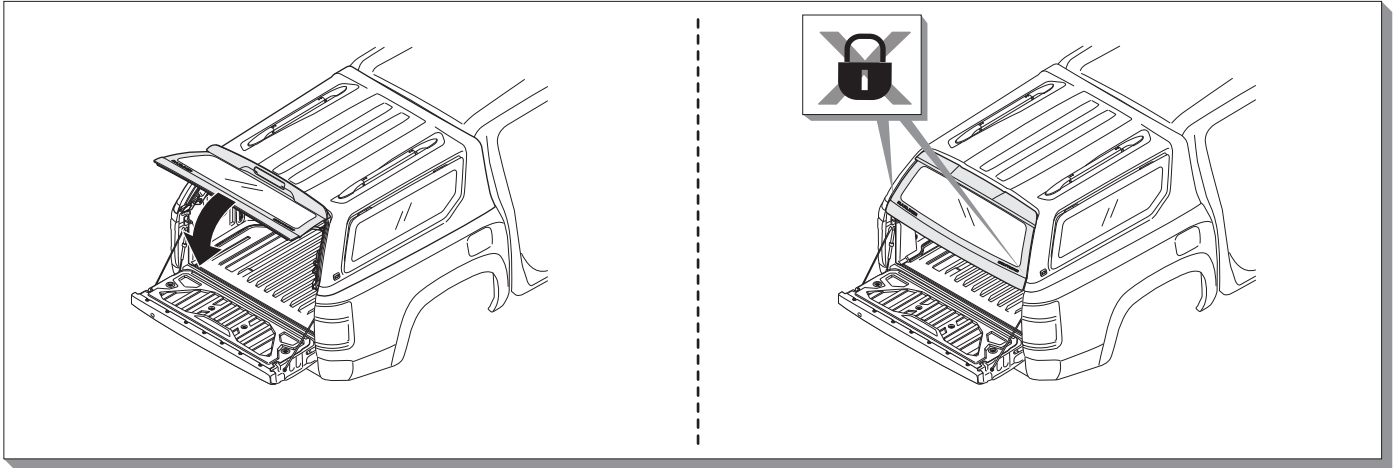


40

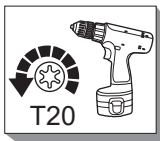


※ Adjustment

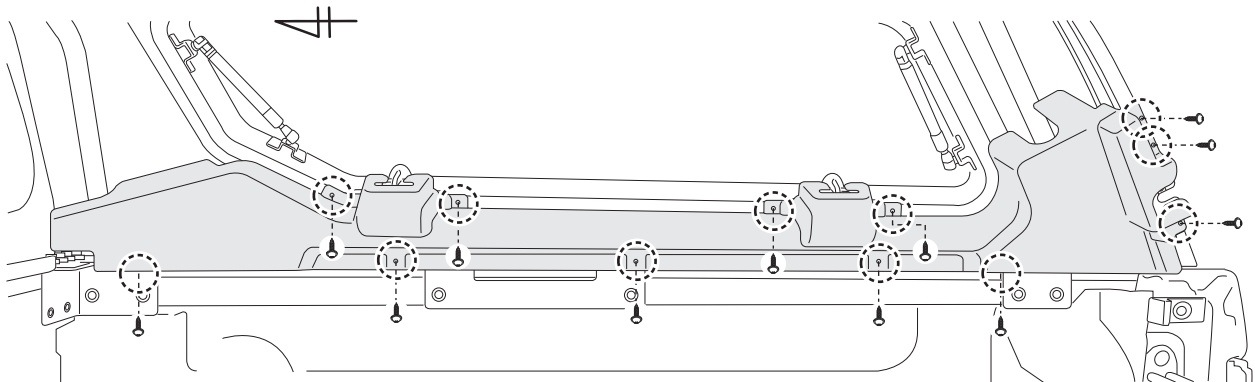
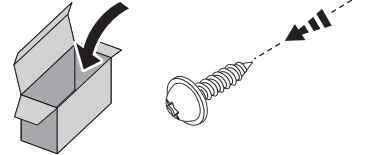
※ Latch & Striker rear



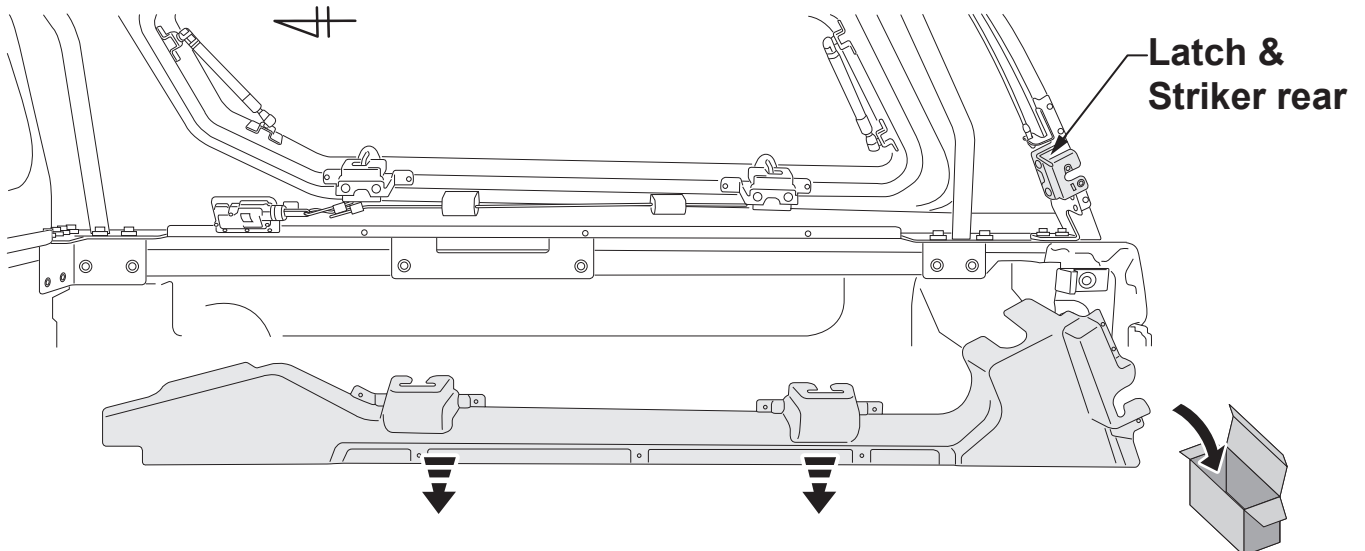
1 LH/RH



LH/RH (24x)



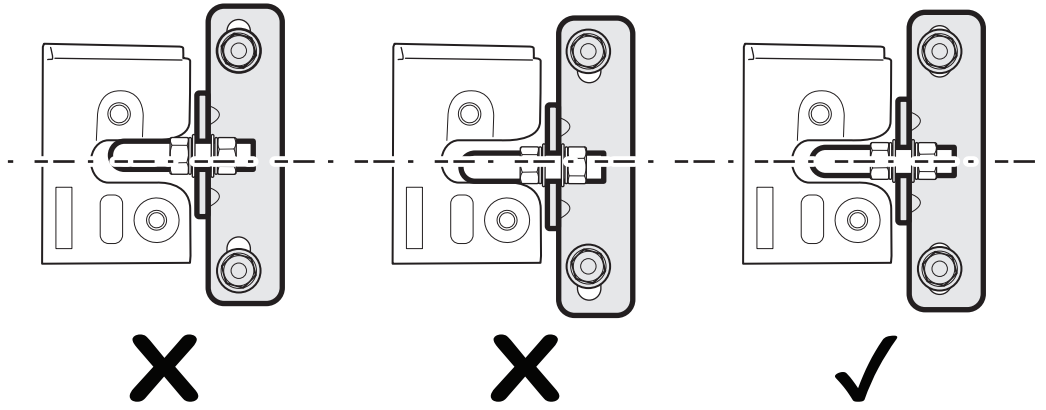
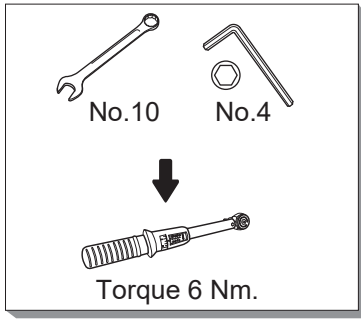
2 LH/RH



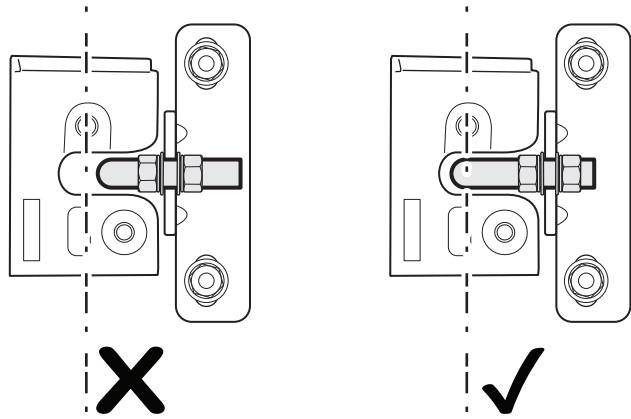
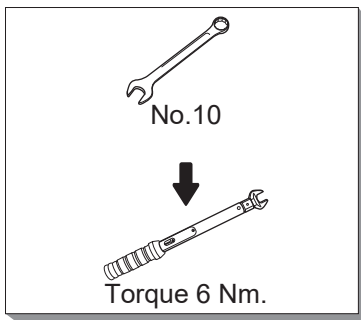
※ Latch & Striker rear

1.1

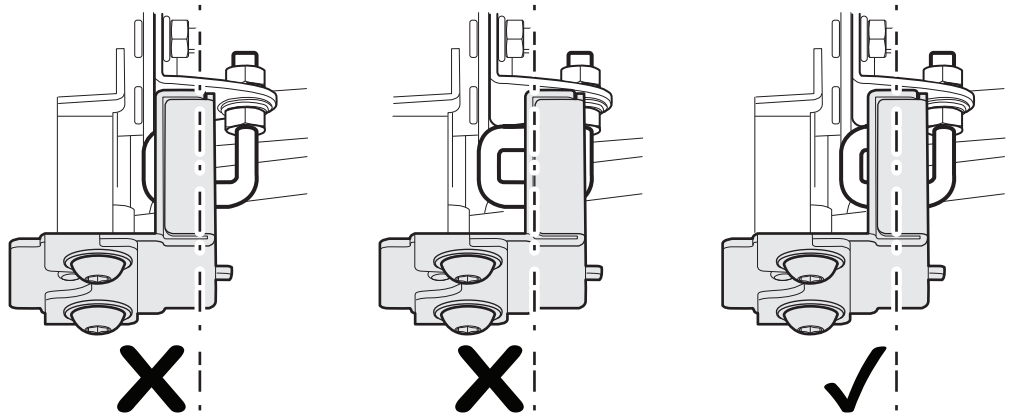
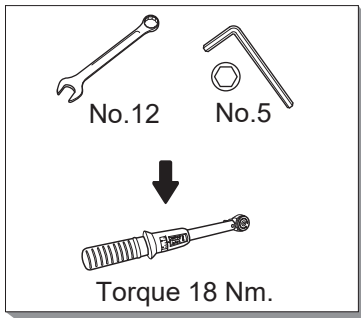
CASE 1 LH/RH



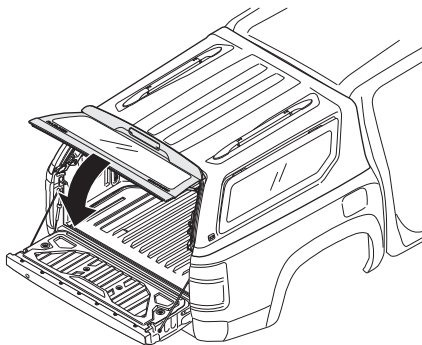
CASE 2 LH/RH



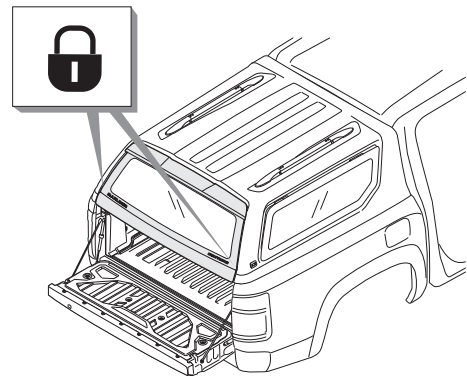
CASE 3 LH/RH



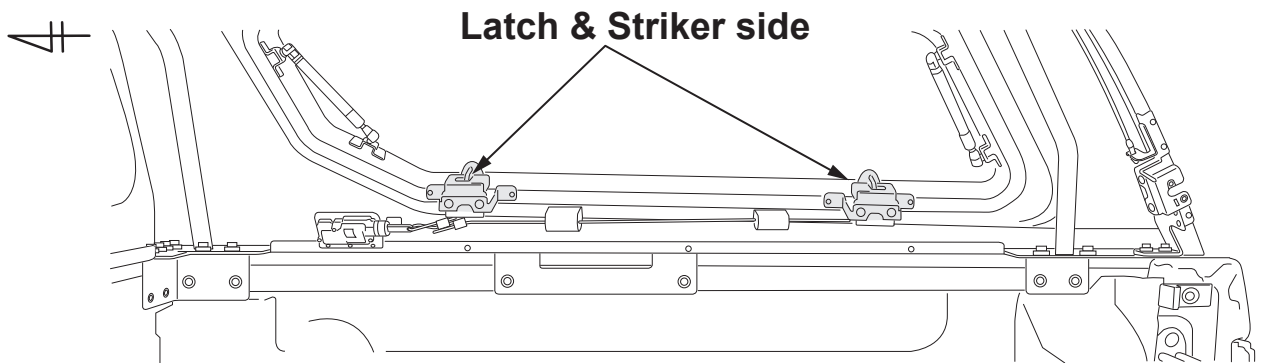
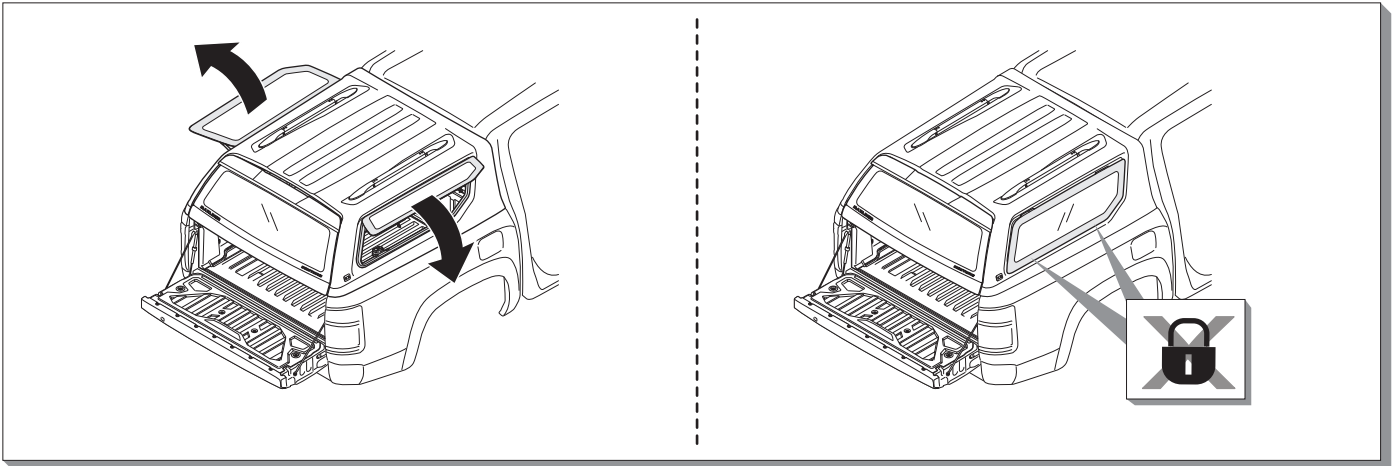
1.2



1.3

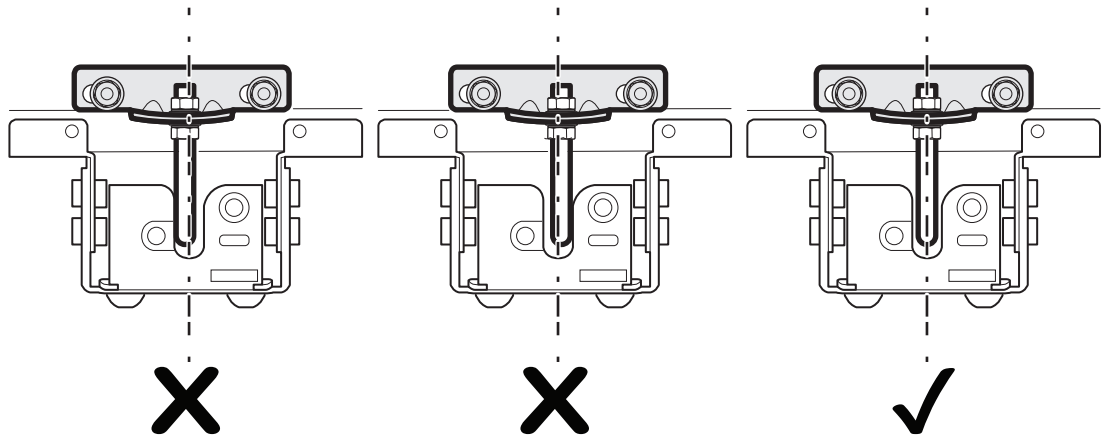
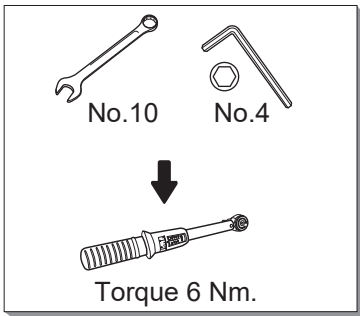


※ Latch & Striker side lift up

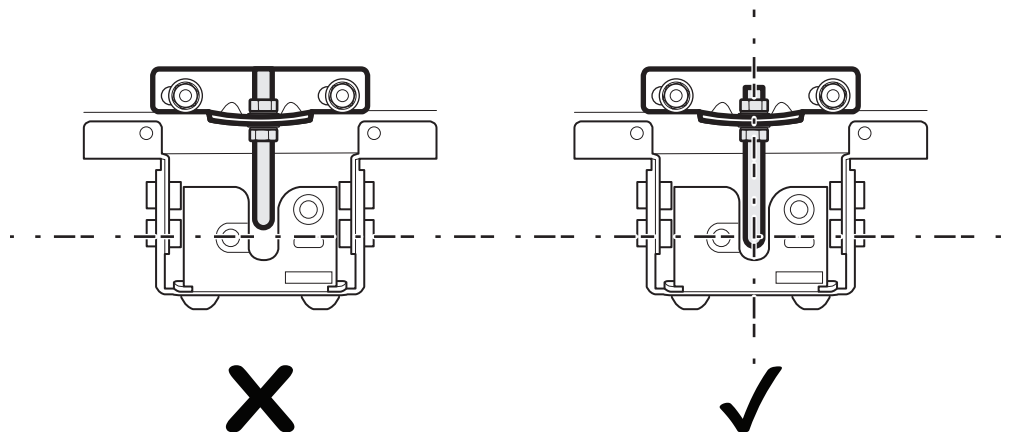
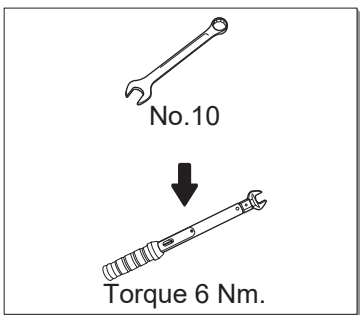


1.1

CASE 1 LH/RH

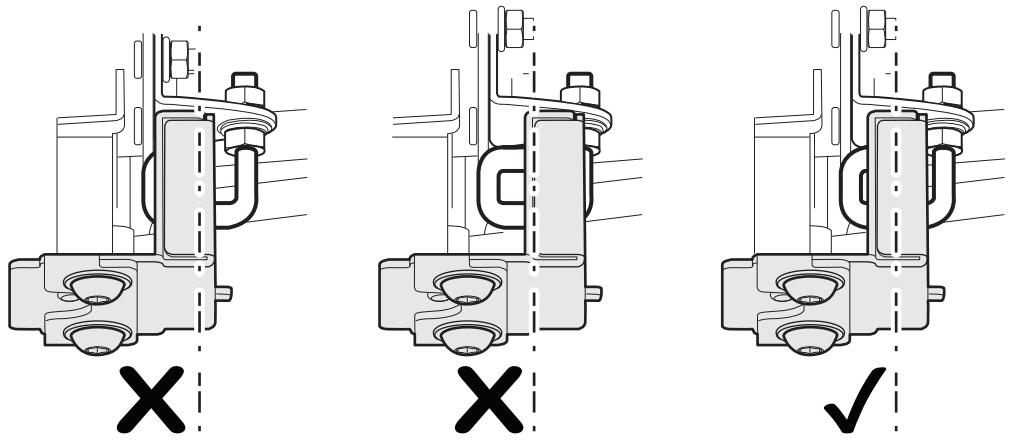
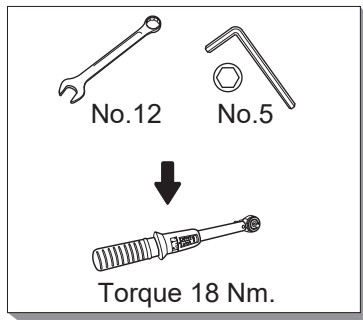


CASE 2 LH/RH

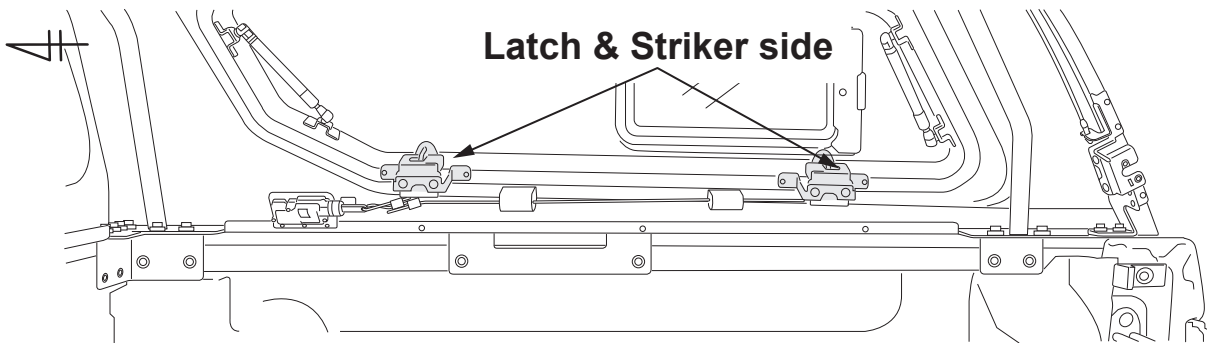


※ Latch & Striker side lift up

CASE 3 LH/RH

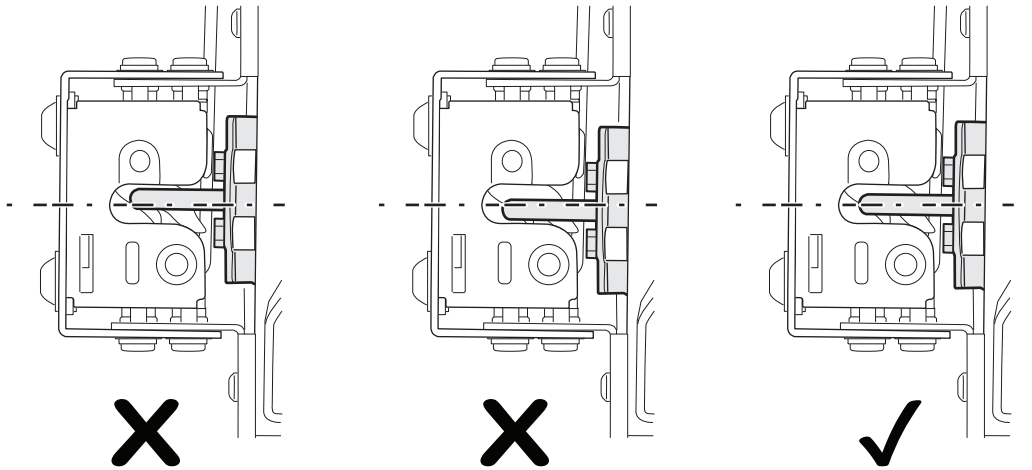
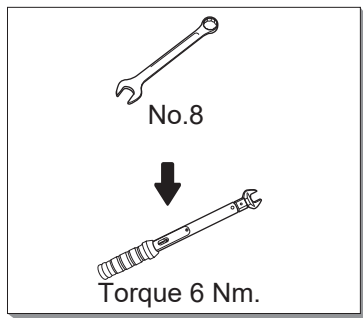


※ Latch & Striker side slide in lift up

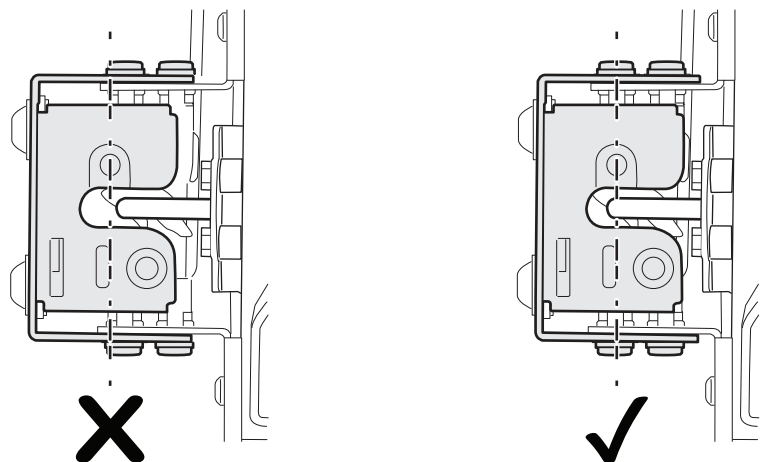
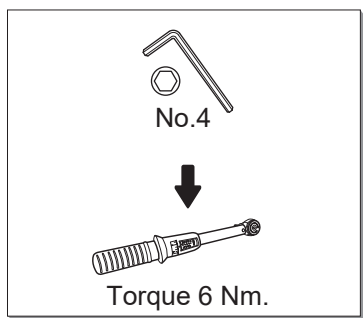


1.1

CASE 1 LH/RH

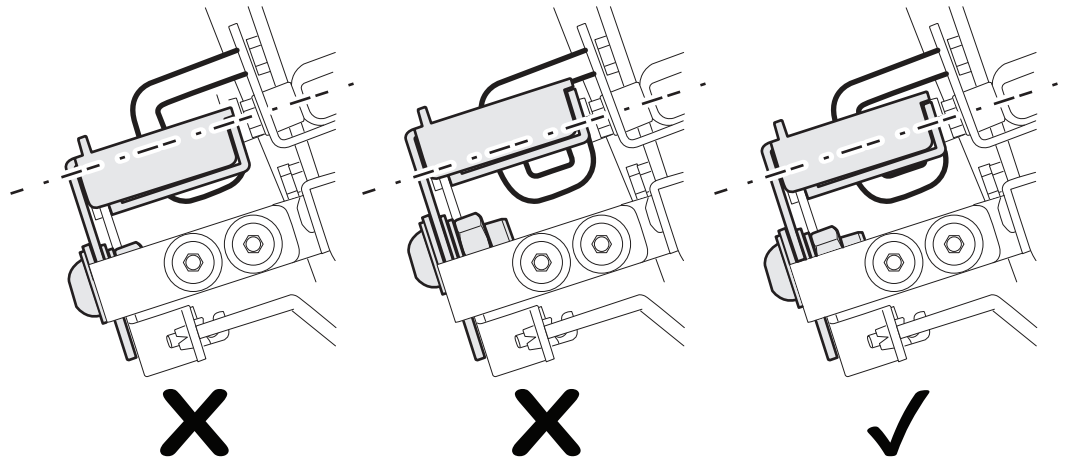
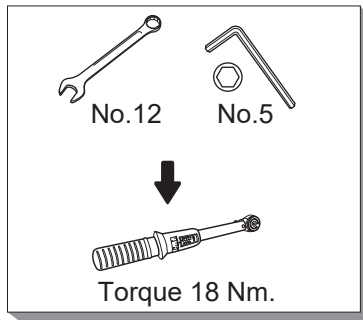


CASE 2 LH/RH

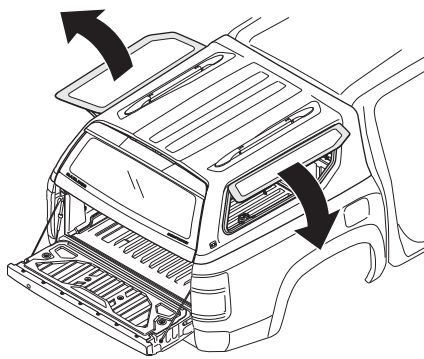


※ Latch & Striker side slide in lift up

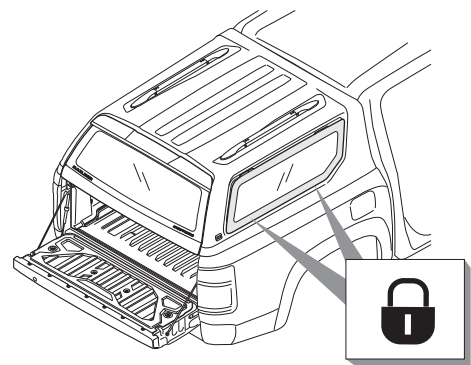
CASE 3 LH/RH



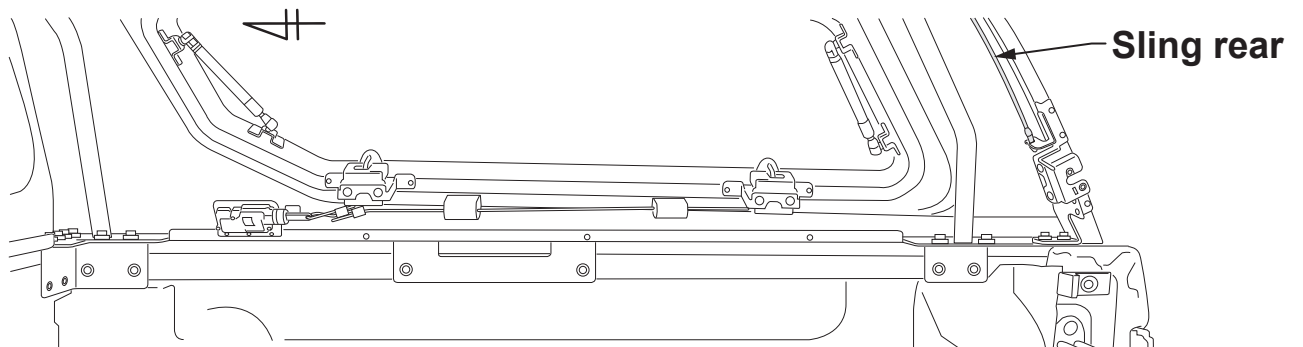
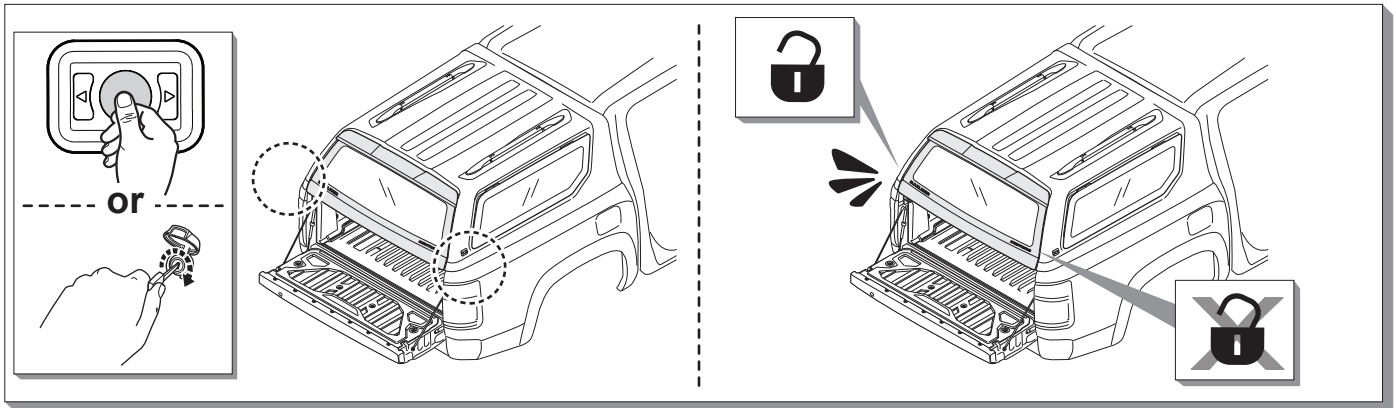
1.2



1.3

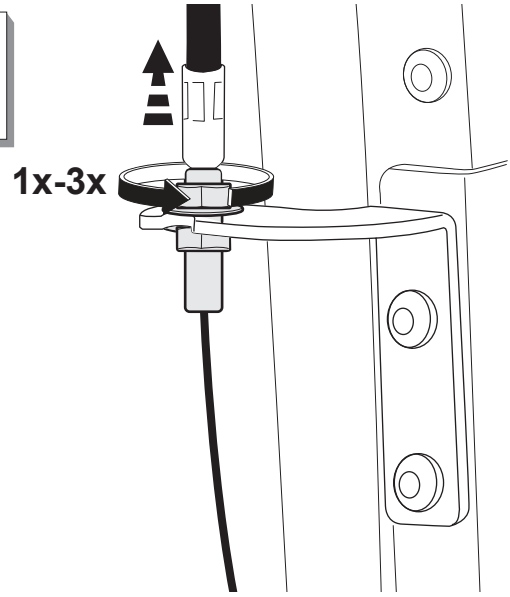


※ Sling rear

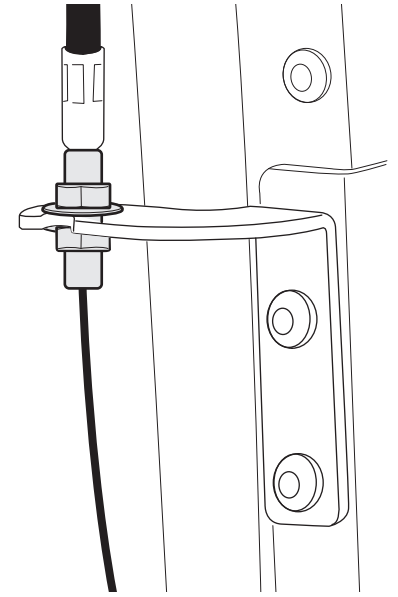
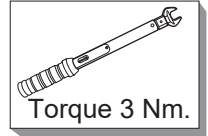


※ Sling rear

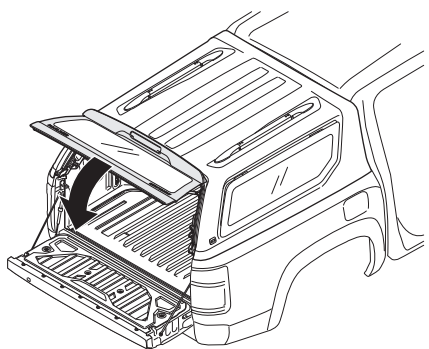
1.1



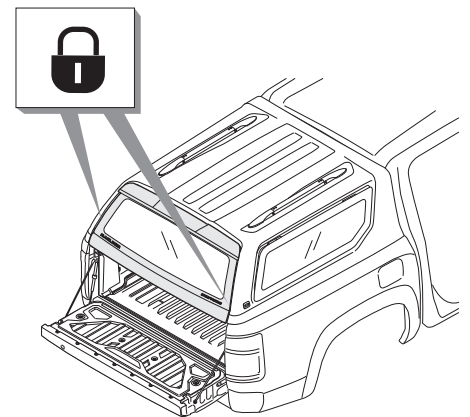
1.2



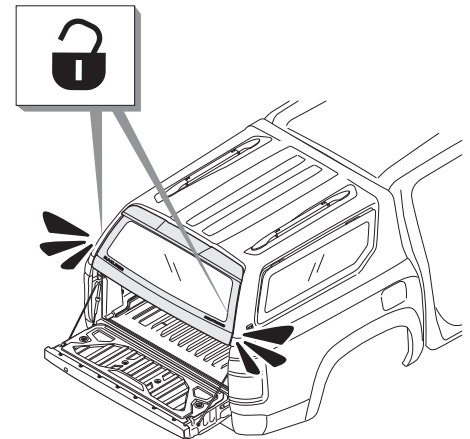
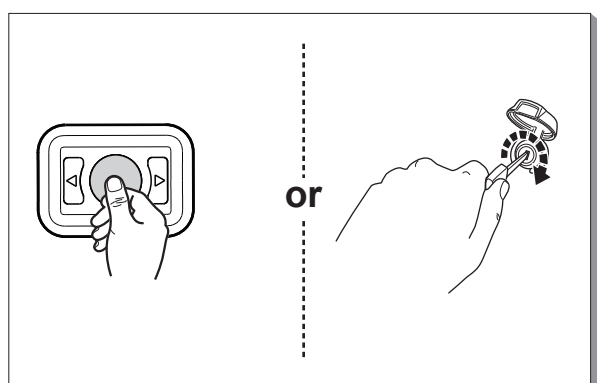
1.3



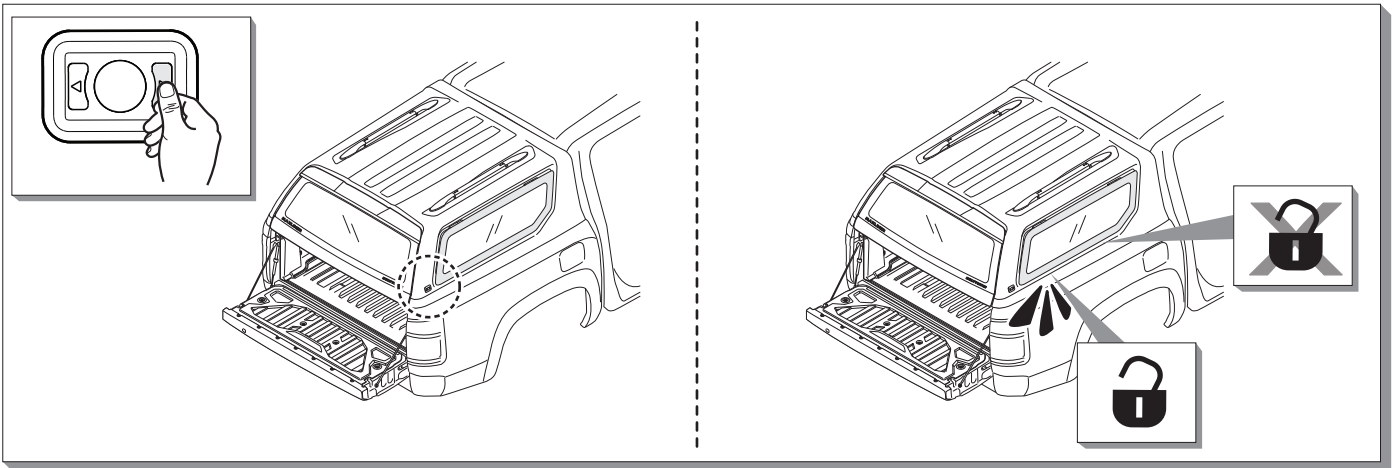
1.4



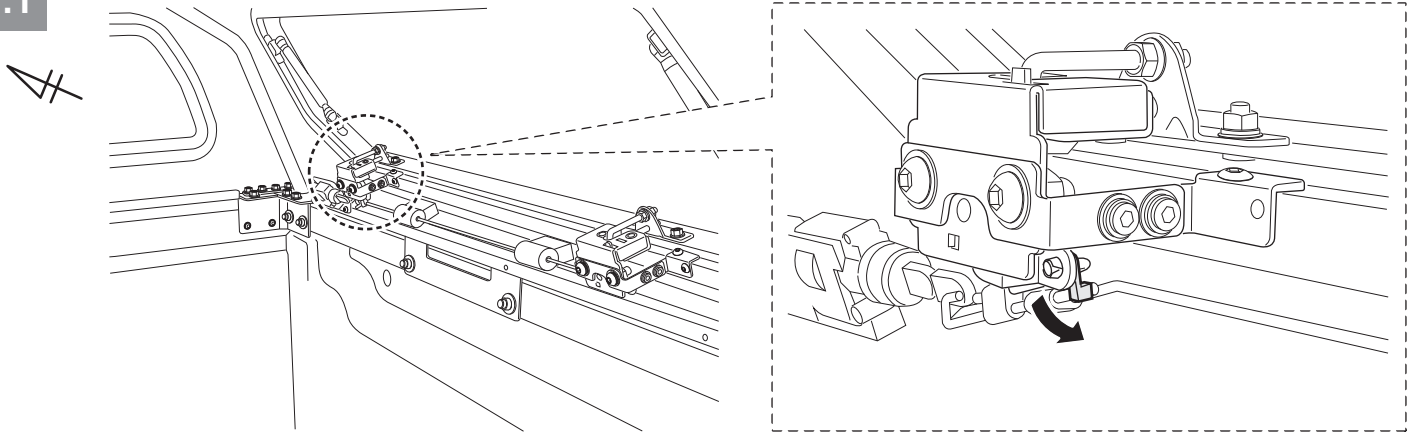
1.5



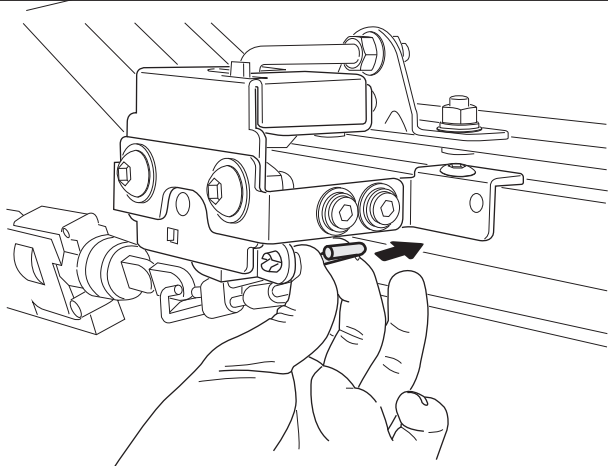
※ Side rod



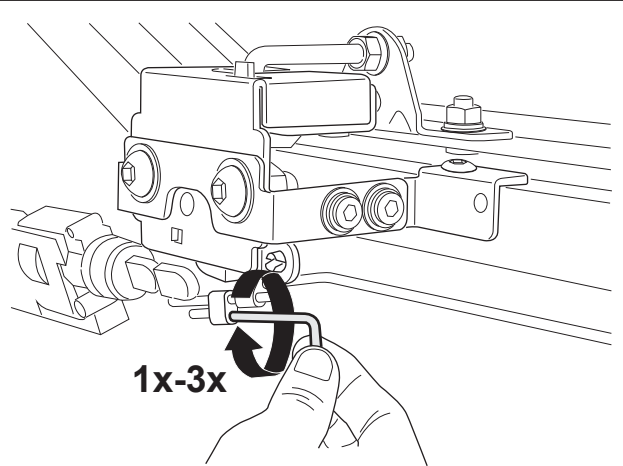
1.1



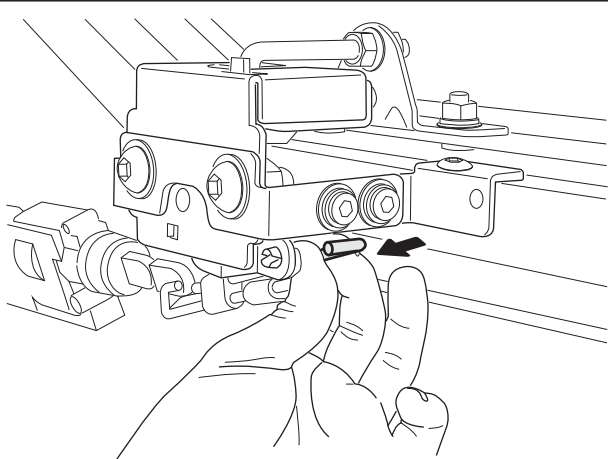
1.2



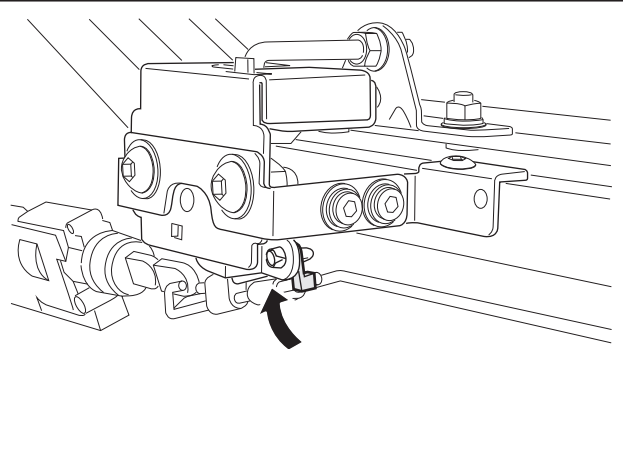
1.3



1.4

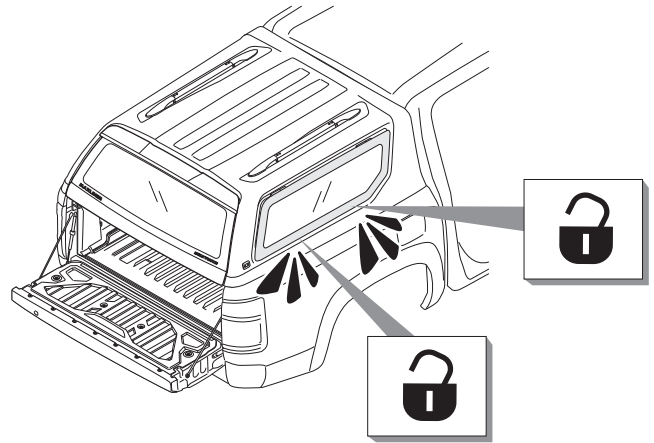
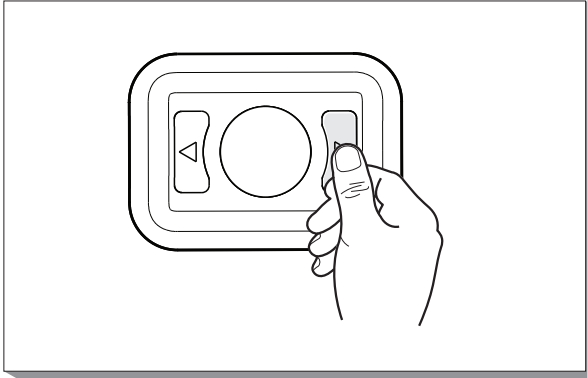


1.5

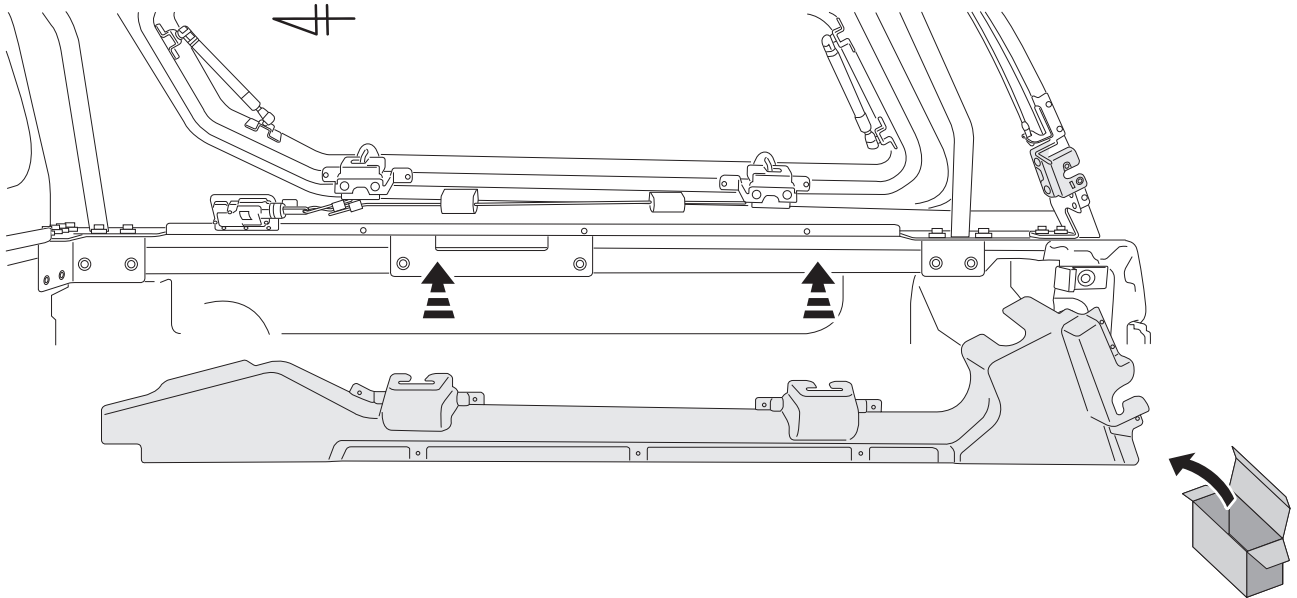


※ Side rod

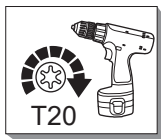
1.6



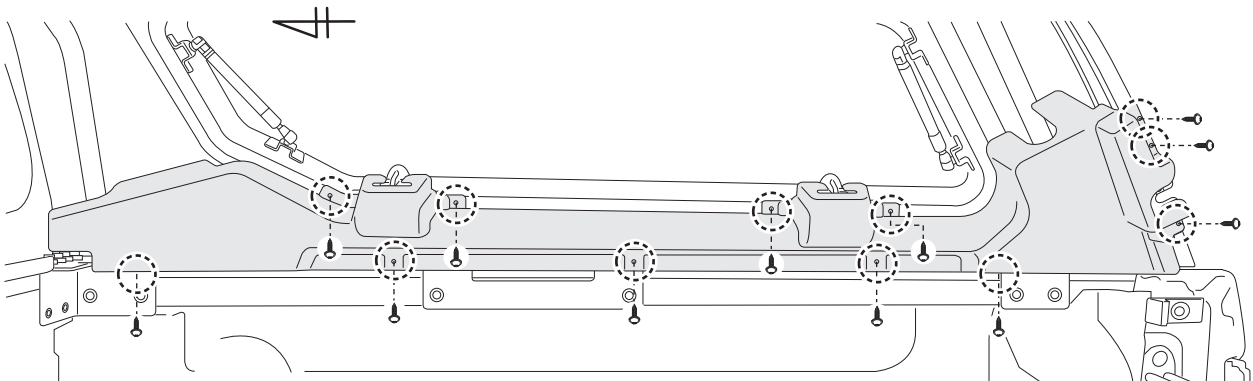
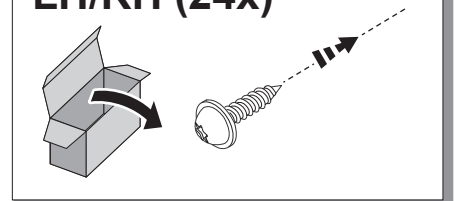
3 LH/RH



4 LH/RH

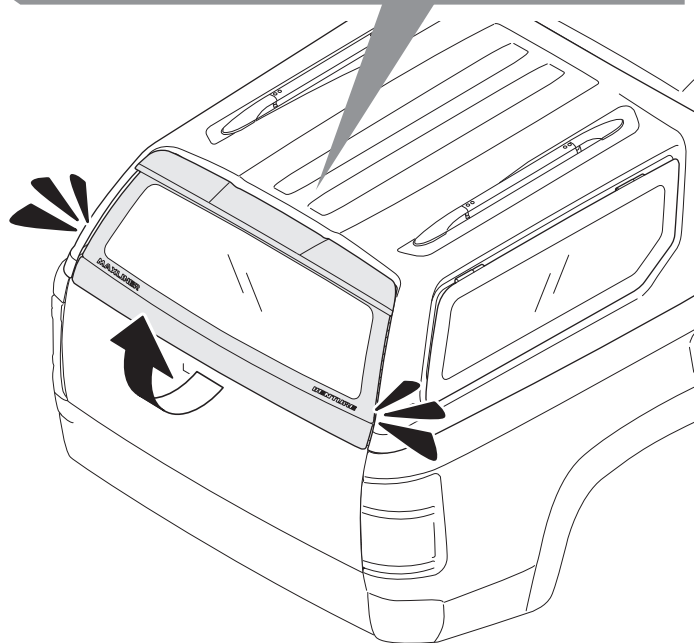
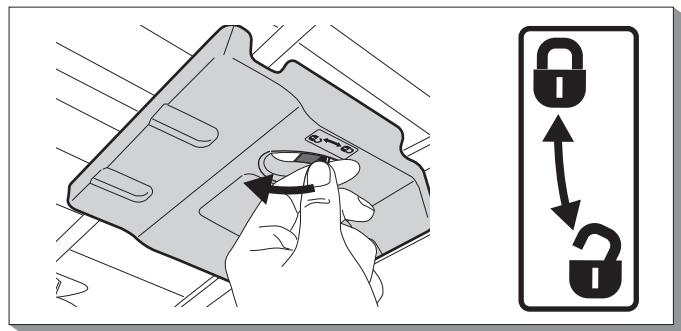


LH/RH (24x)

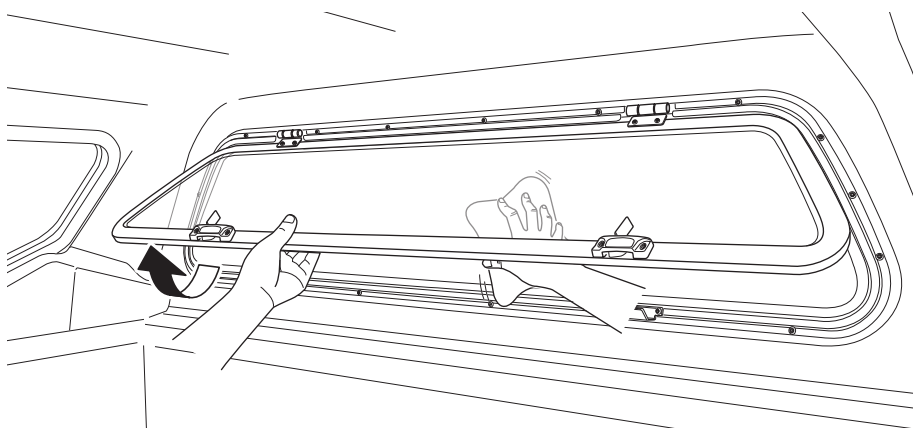
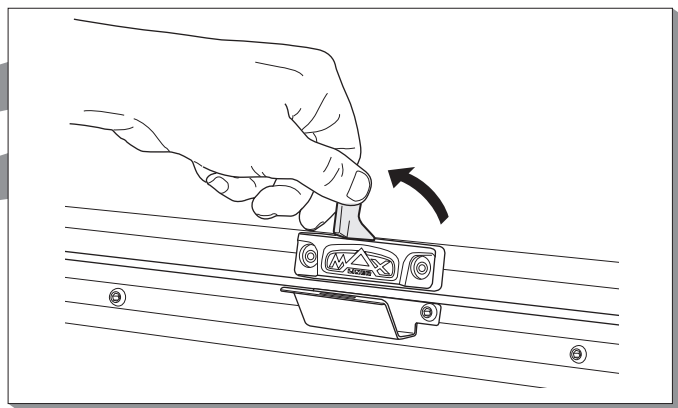
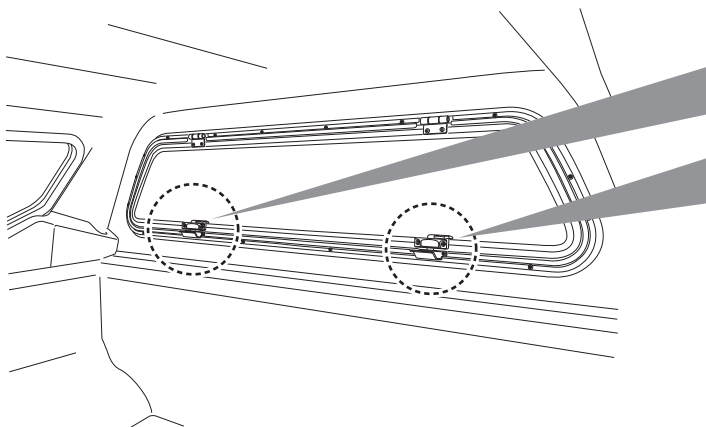


※ Release inside

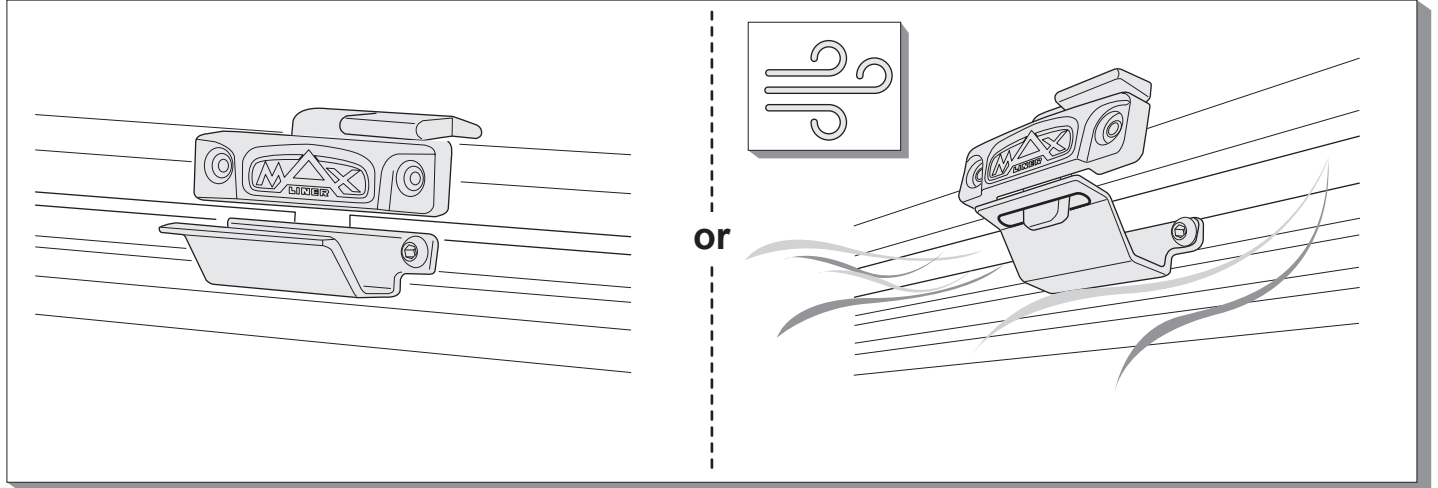
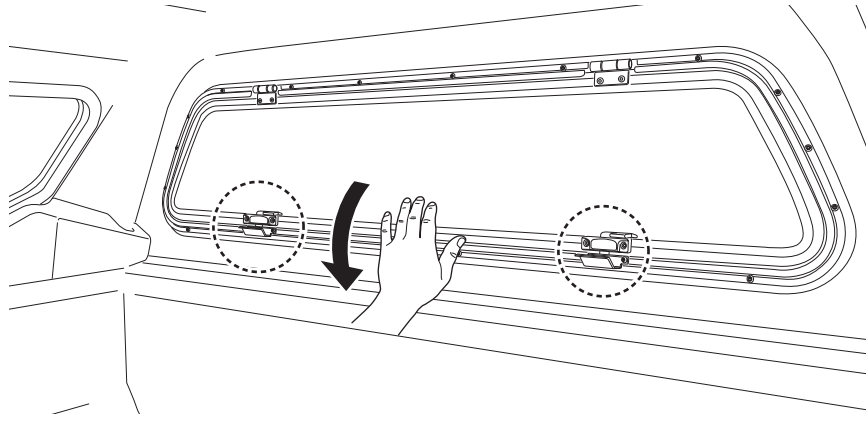
Help me!



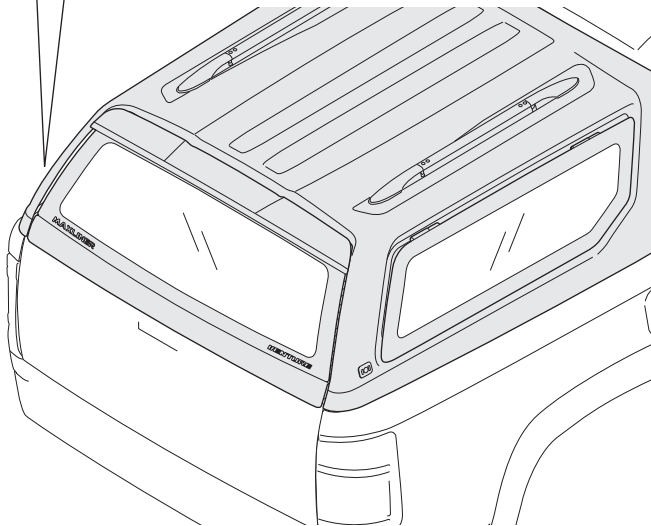
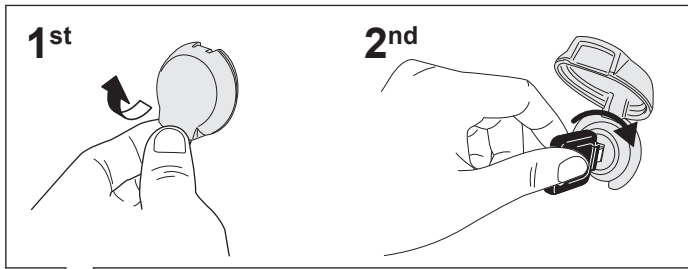
※ Front window guidelines



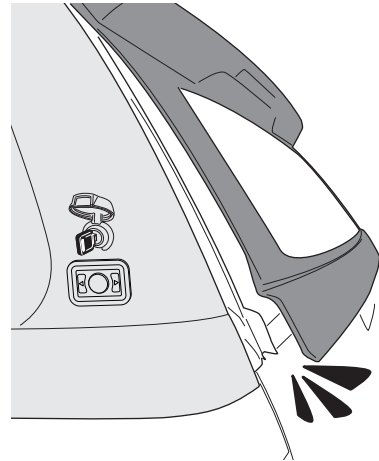
※ Front window guidelines



LOW 



3rd



4th

