

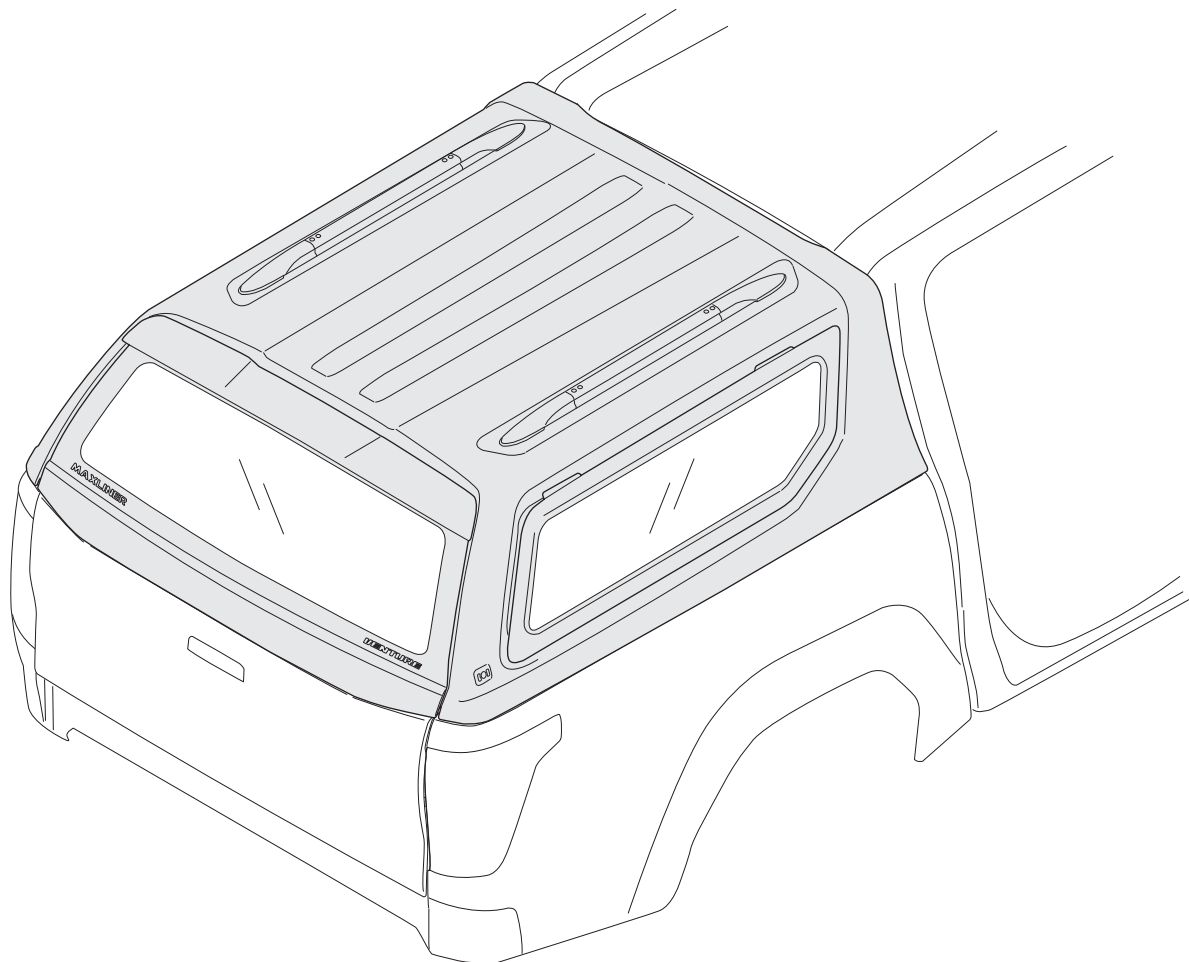


MAXLINER

**INSTALLATION
INSTRUCTIONS
MANUAL**

VENTURE CANOPY W/SIDE LIFT WINDOW

TOYOTA HILUX DBC 2025+ (RHD)



Contact us



THAILAND OFFICE

☎ +66 38 468 008 ext 2001
✉ info@maxliner.com
🏠 700/135 Moo 5, Amata Nakorn,
Klongtumur, Muang, Chonburi 20000 Thailand

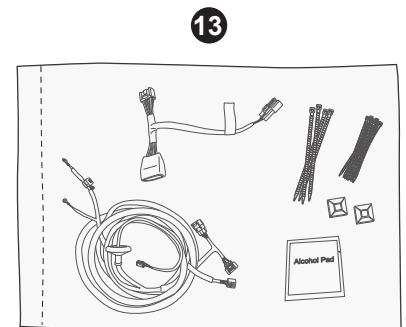
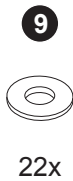
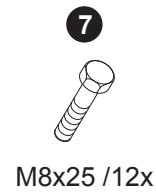
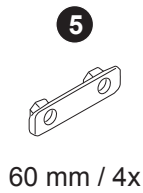
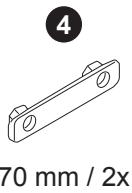
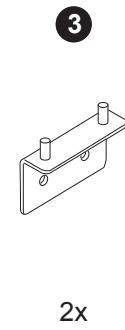
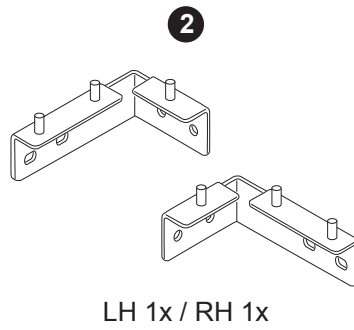
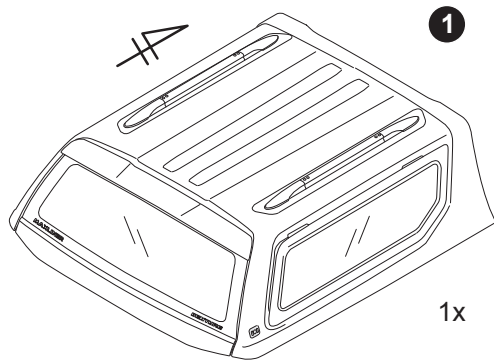
EUROPE OFFICE

☎ +31 8 5020 1887
✉ infoEurope@vandapac.com
🏠 Parallelweg 46 – 48 5121LD Rijen, Netherlands
VAT Identification Number : NL858744272801

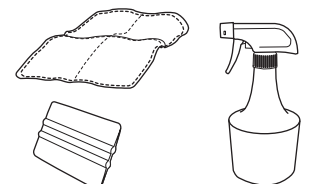
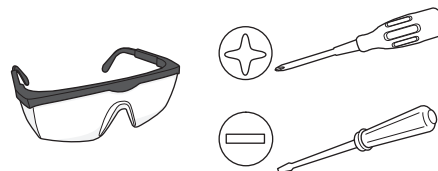
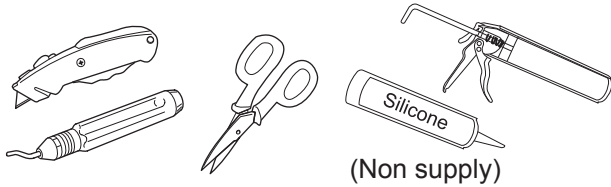
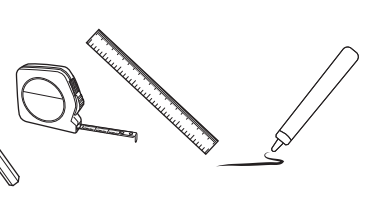
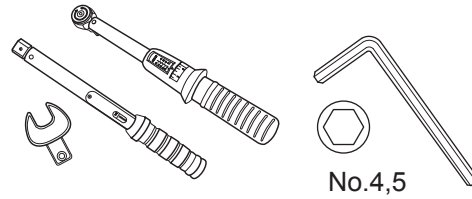
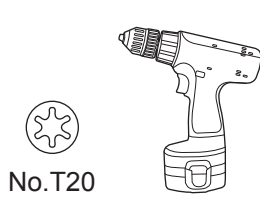
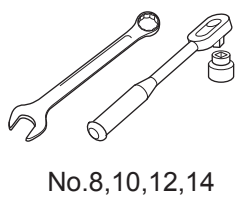
AUSTRALIA/OCEANIA OFFICE

☎ +61 1800 592 192
✉ sales@maxliner.com.au
🏠 2 Dexter Drive Epping 3076 VIC Australia

Component parts



Tools used



Caution for installation

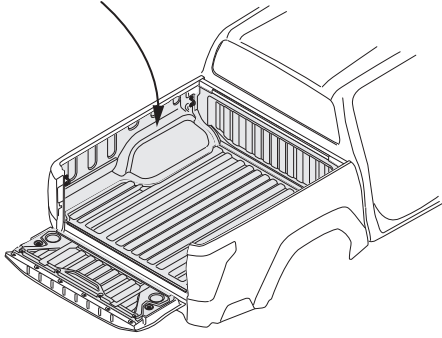
Read this mounting manual carefully, before your start the installation.

1. Area where to install product should be clean.
2. During installation, person who installed should take off any ornaments.
3. Wear the protective eyewear before installation.

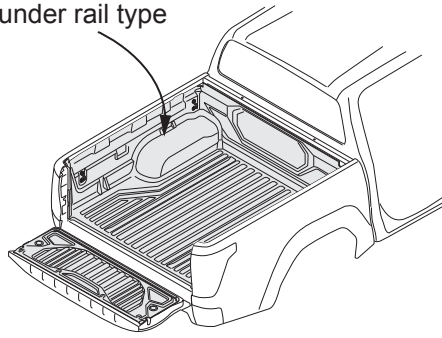
Instruction procedure

1

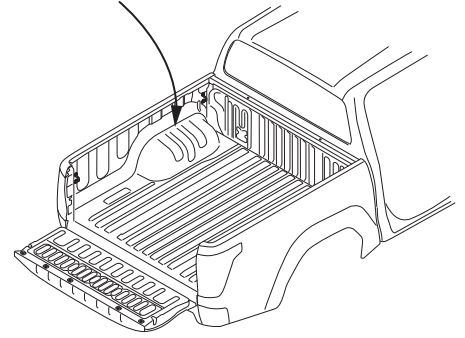
With KD liner



With bedliner DC under rail type

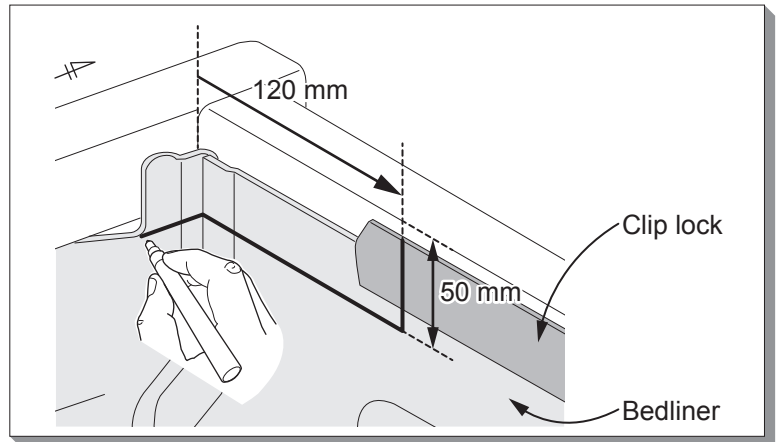
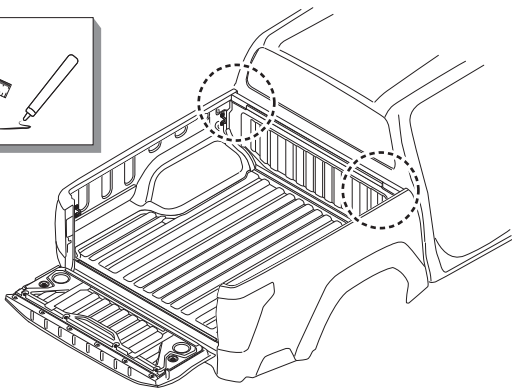
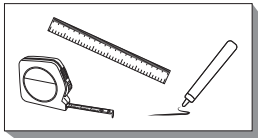


Without bedliner

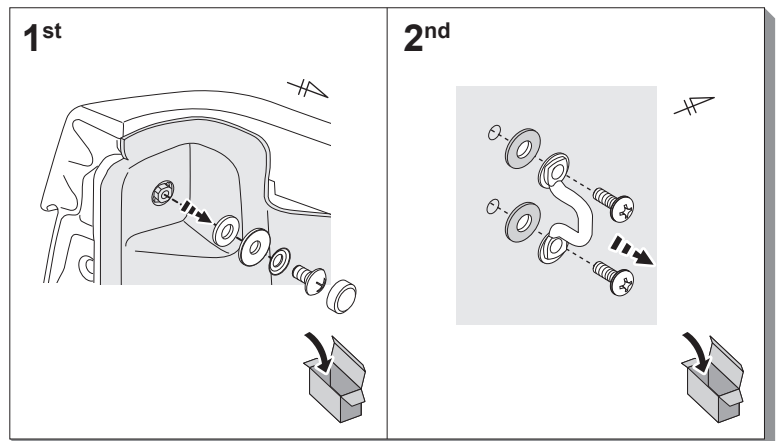
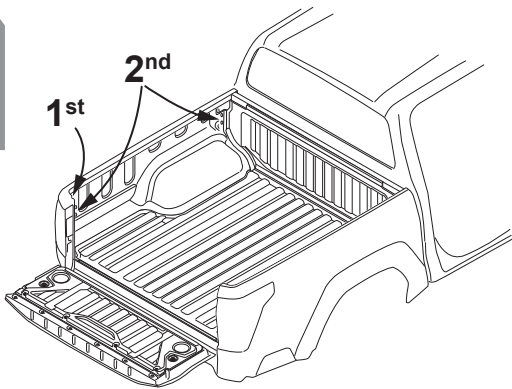
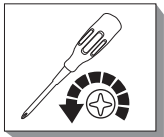


1.1 ※ Only with KD liner (1.1 - 1.9)

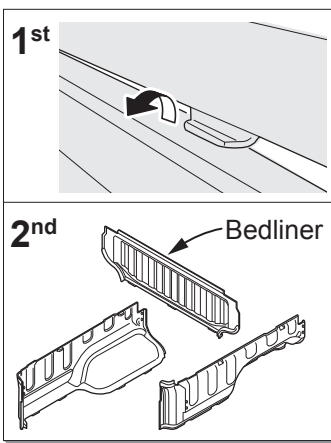
LH/RH



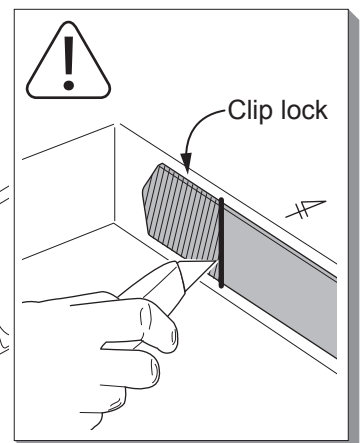
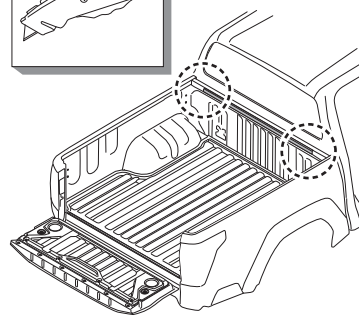
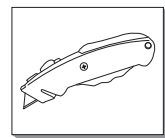
1.2 LH/RH



1.3

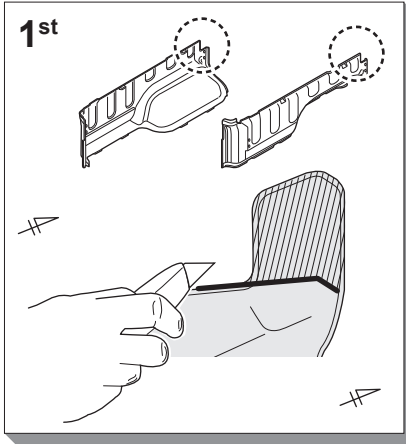
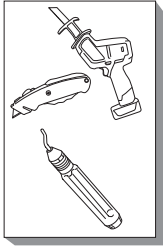


1.4 LH/RH

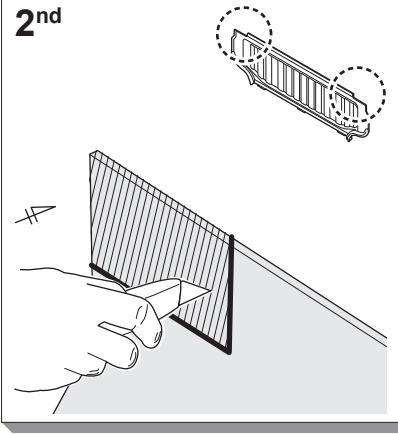


Instruction procedure

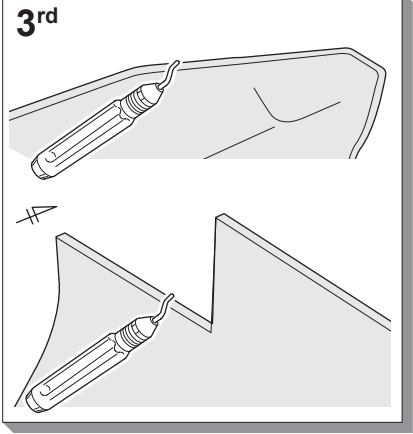
1.5 LH/RH



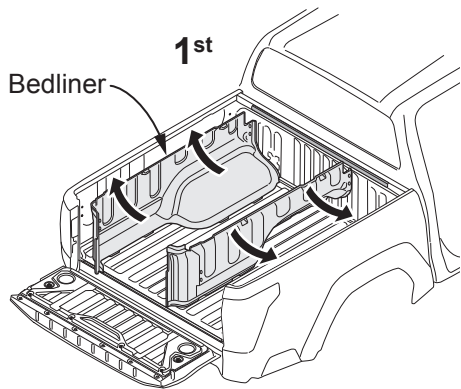
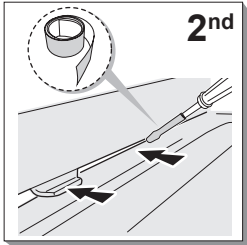
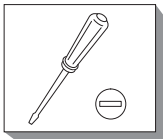
2nd



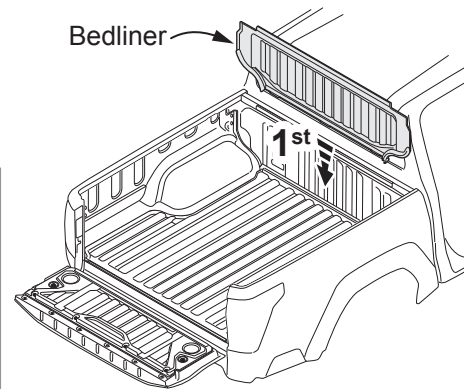
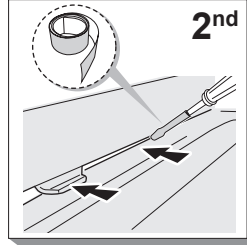
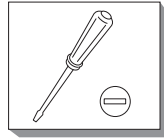
3rd



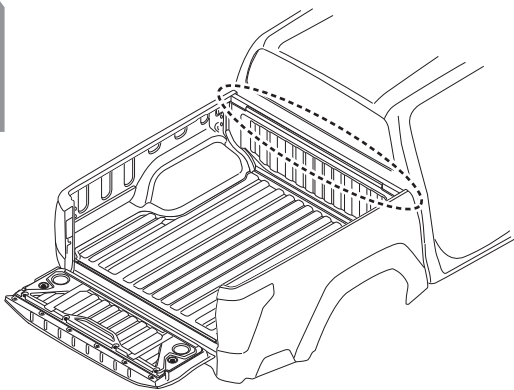
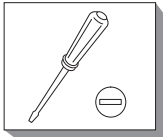
1.6 LH/RH



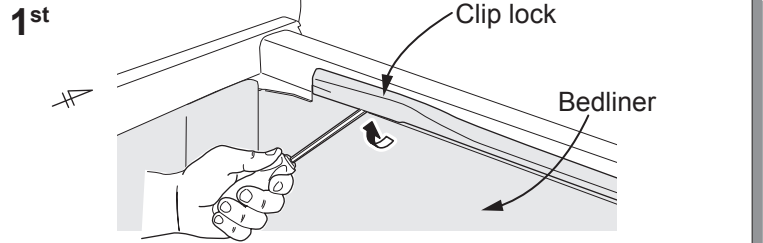
1.7



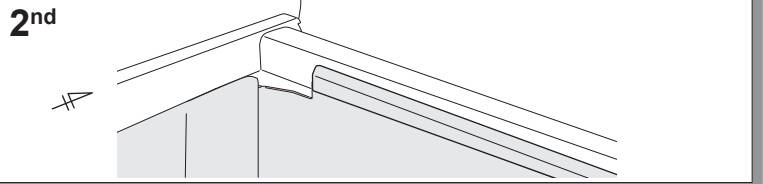
1.8



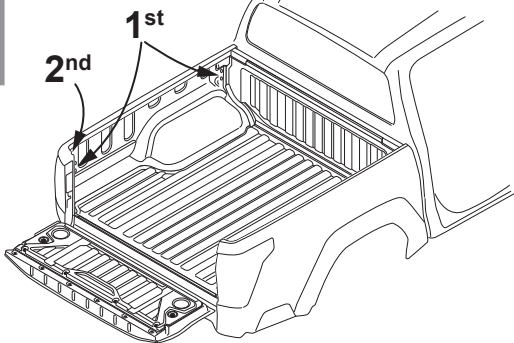
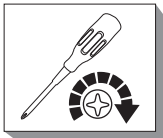
1st



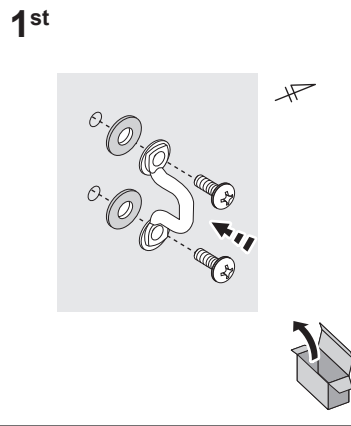
2nd



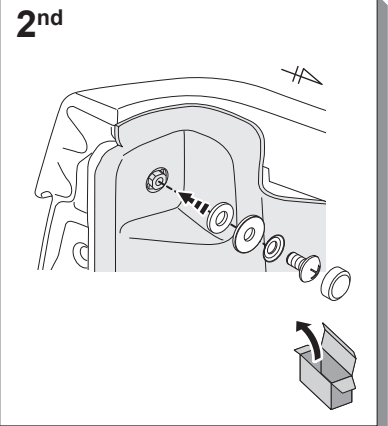
1.9 LH/RH



1st



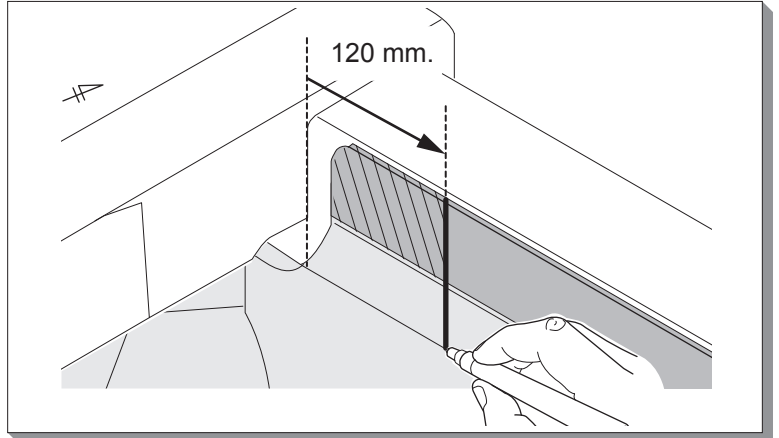
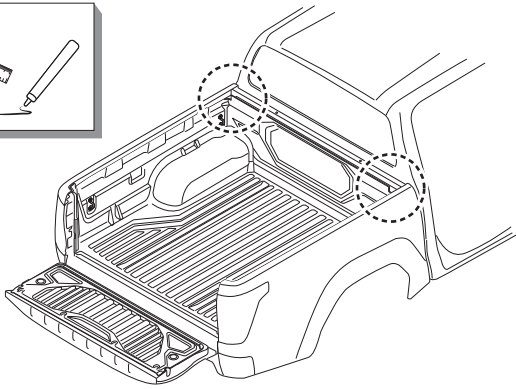
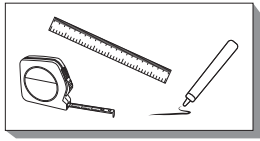
2nd



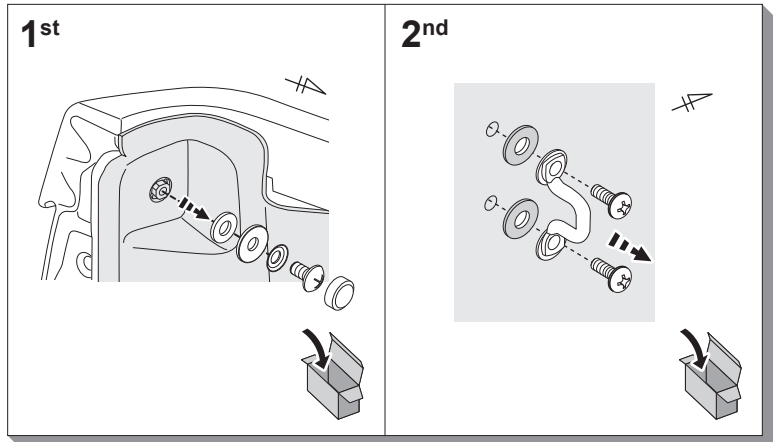
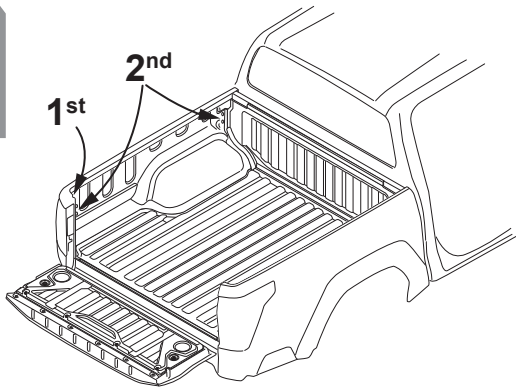
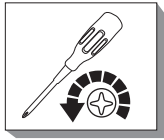
Instruction procedure

1.1 ※ With bedliner DC under rail type (1.1 - 1.9)

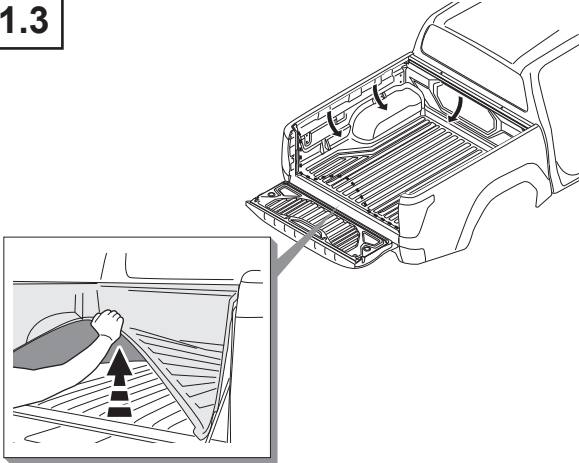
LH/RH



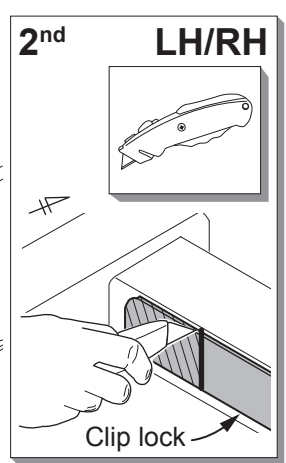
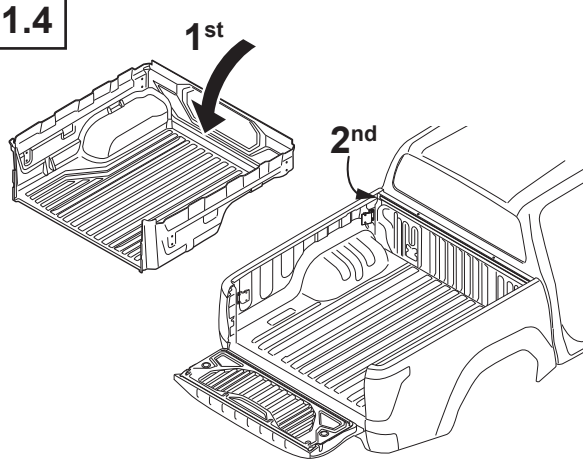
1.2 LH/RH



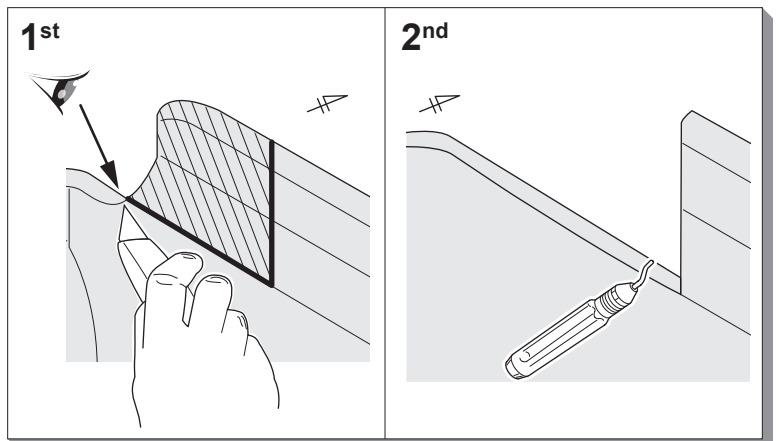
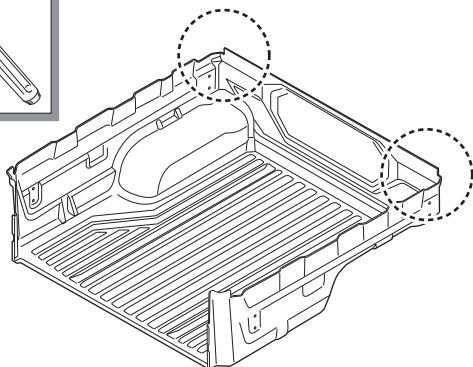
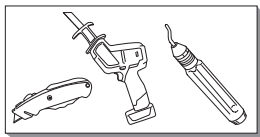
1.3



1.4

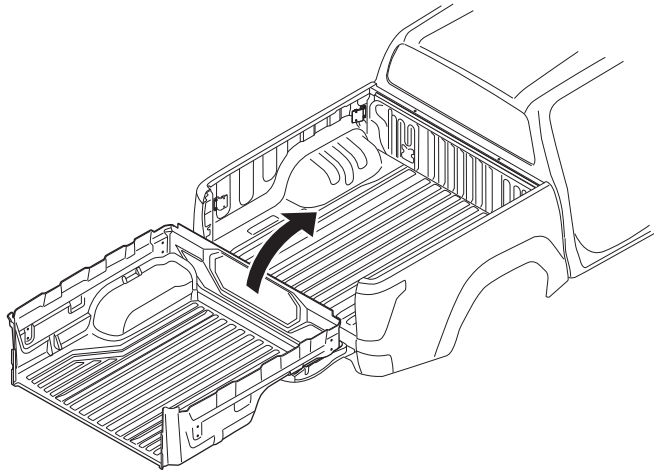


1.5 LH/RH

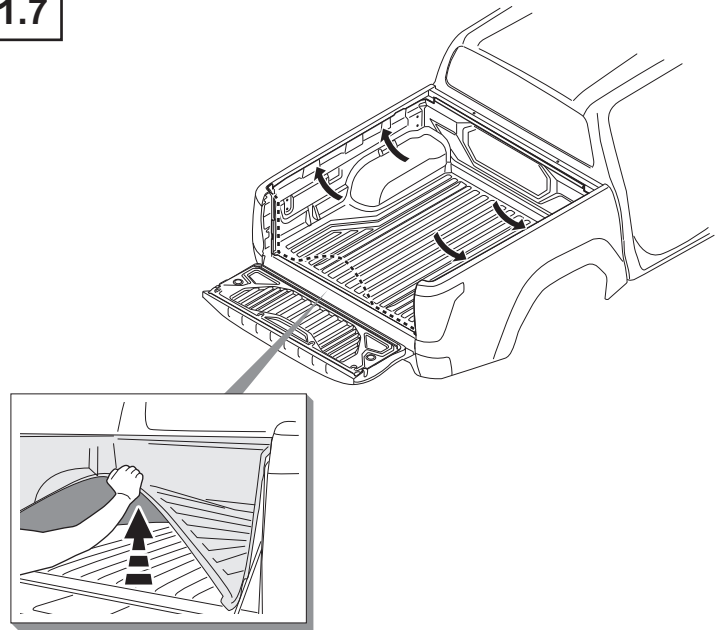


Instruction procedure

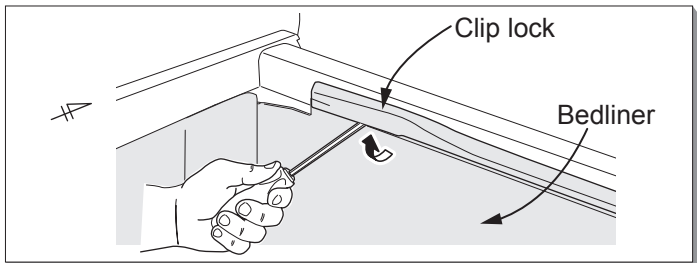
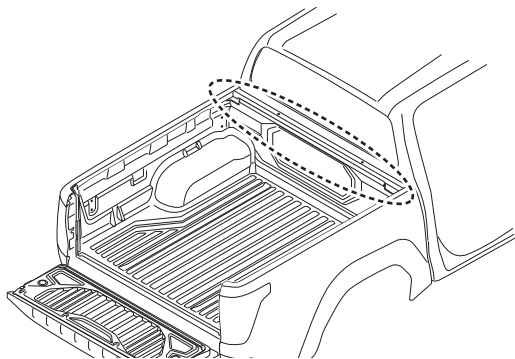
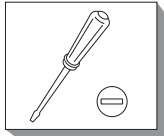
1.6



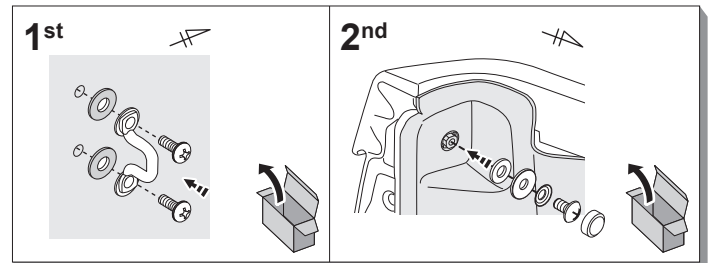
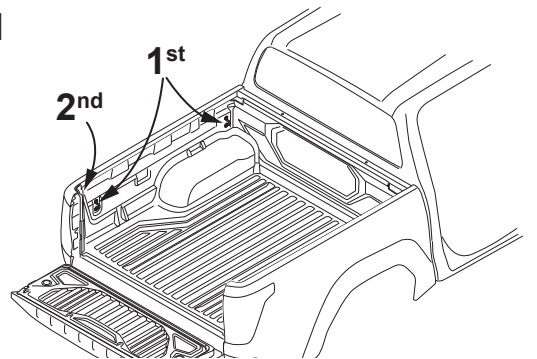
1.7



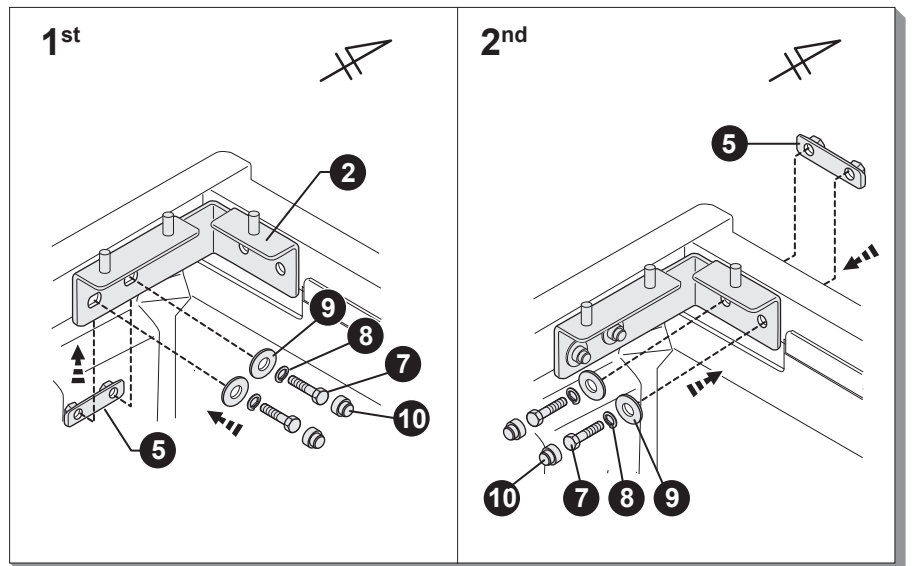
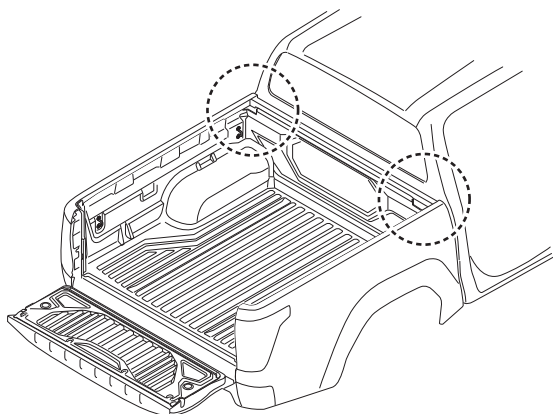
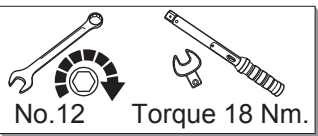
1.8



1.9 LH/RH

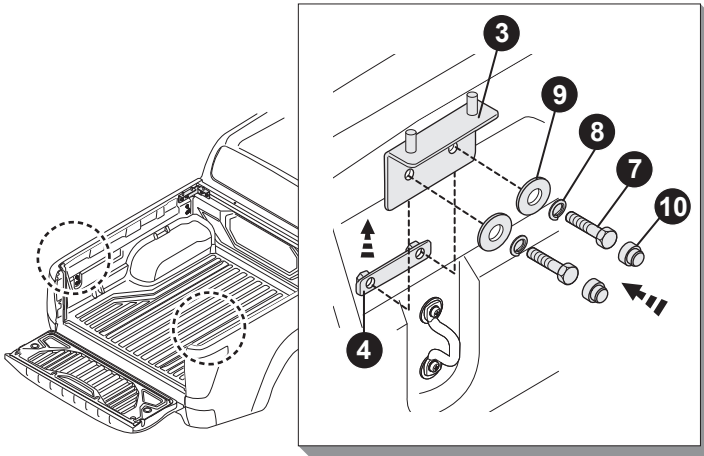
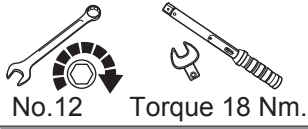


2

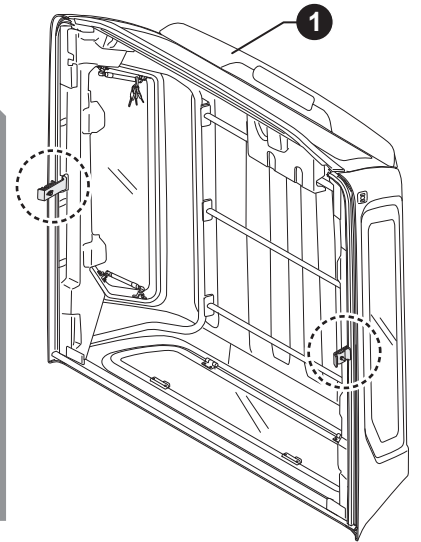
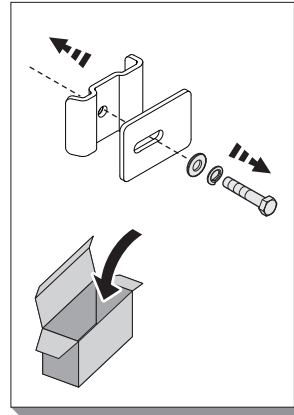


Instruction procedure

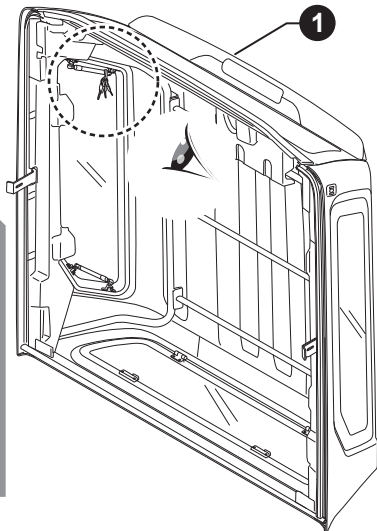
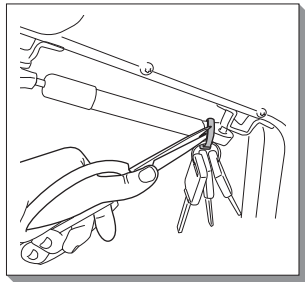
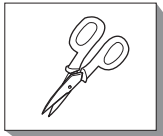
3



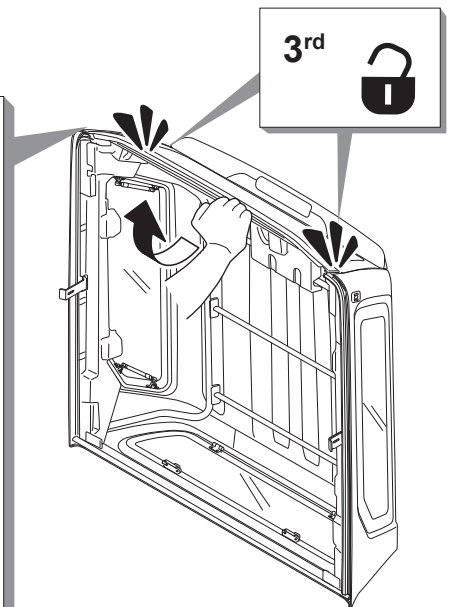
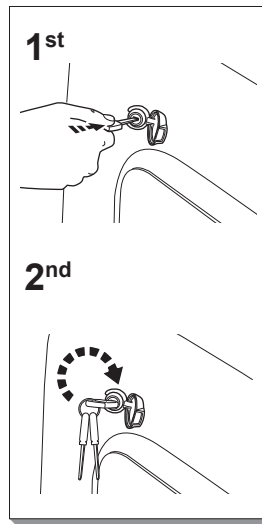
4



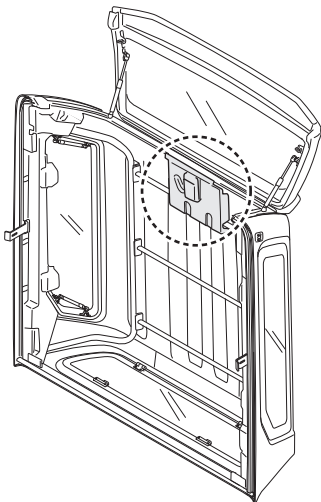
5



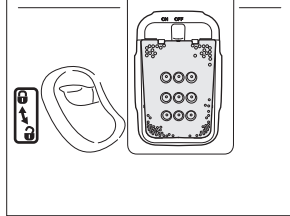
6



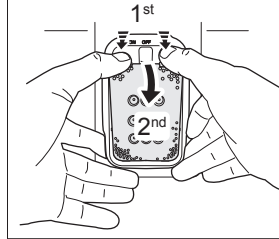
7



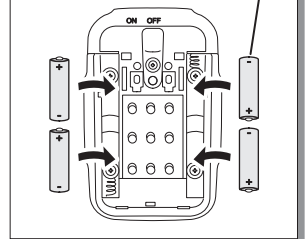
7.1



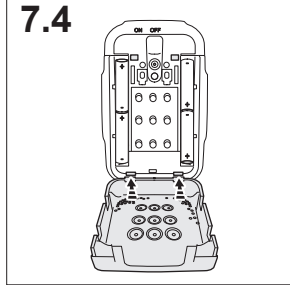
7.2



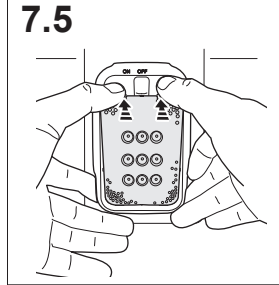
7.3



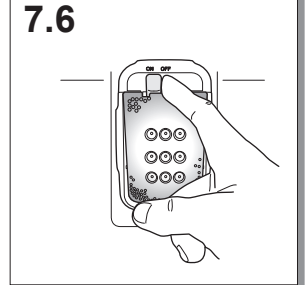
7.4



7.5

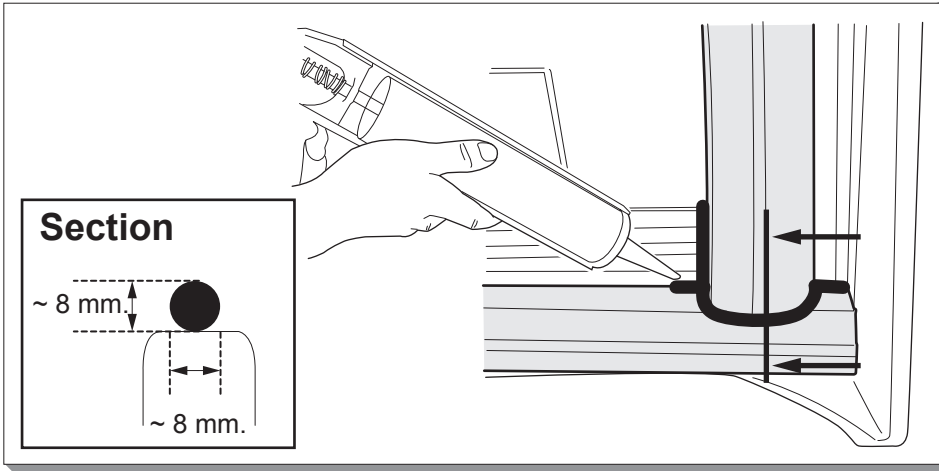
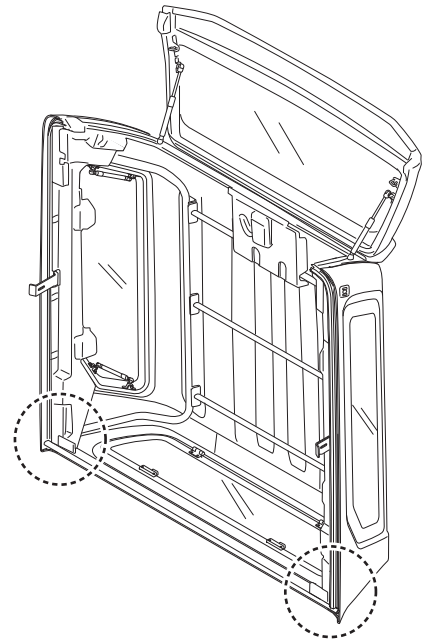
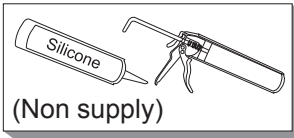


7.6

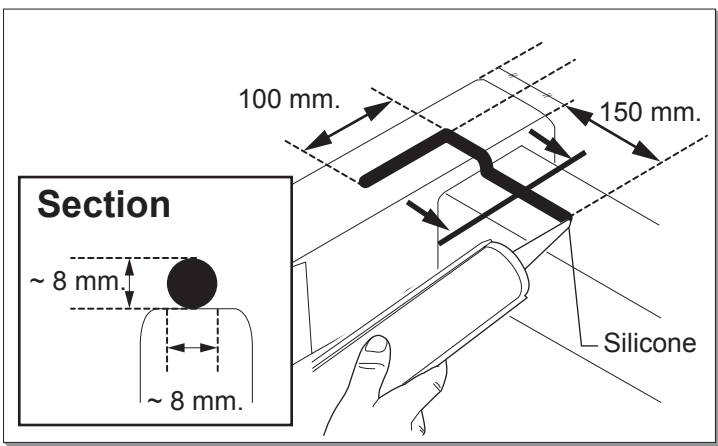
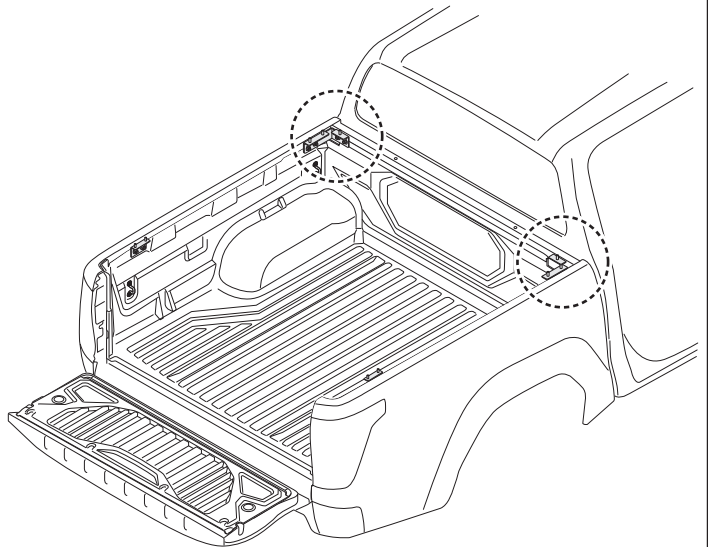
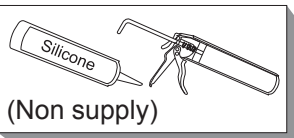


Instruction procedure

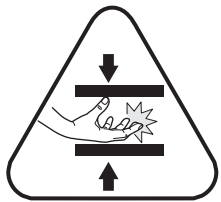
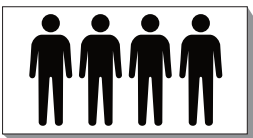
8 LH/RH



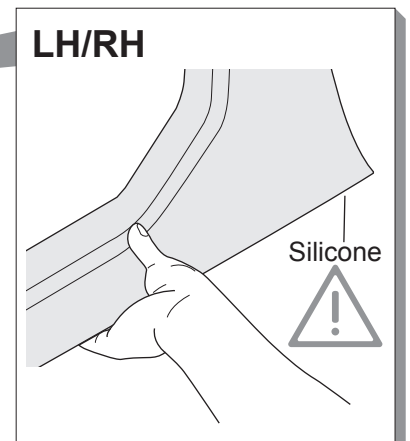
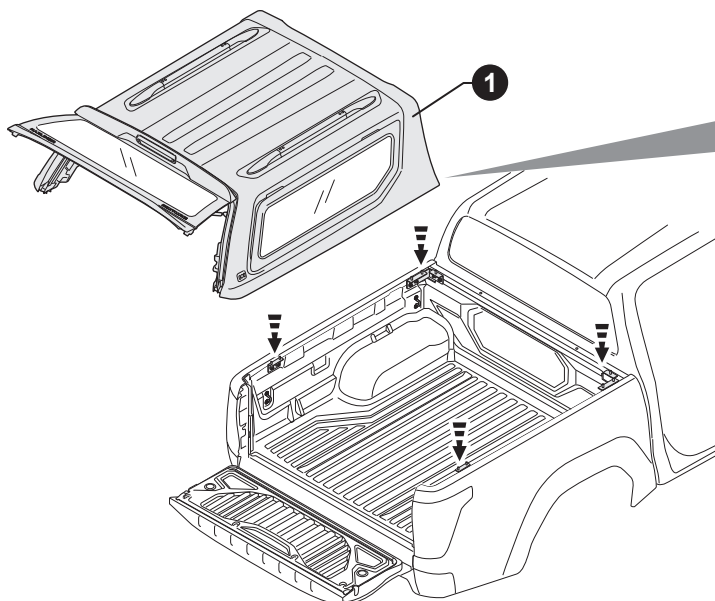
9 LH/RH



10



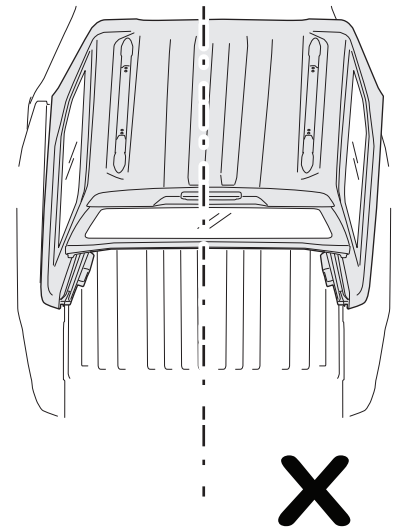
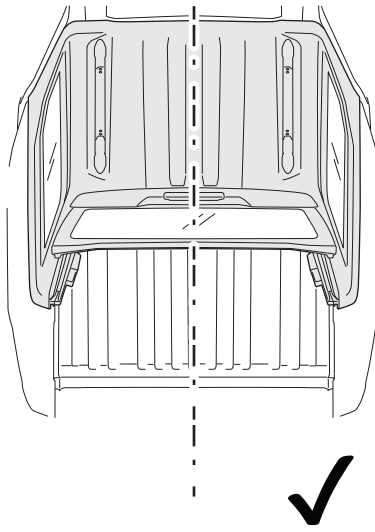
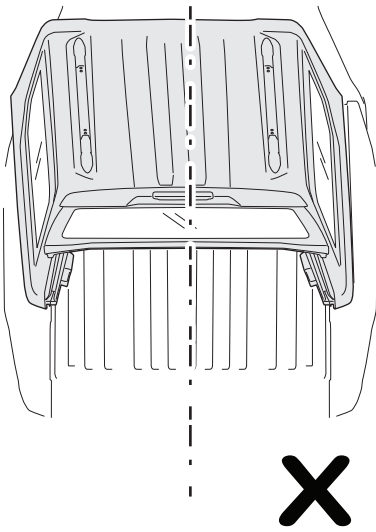
**BEWARE OF
CRUSHING HAND**



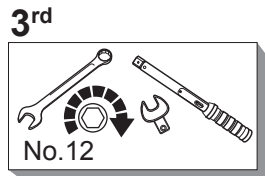
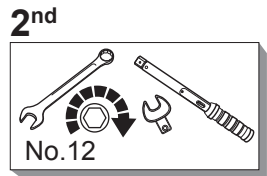
Instruction procedure

11

LH = RH

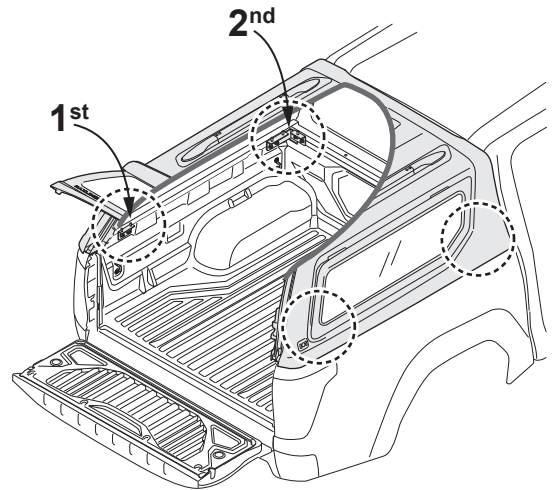
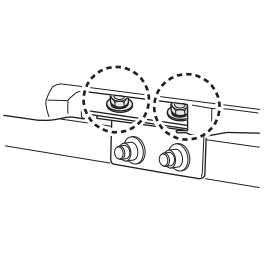
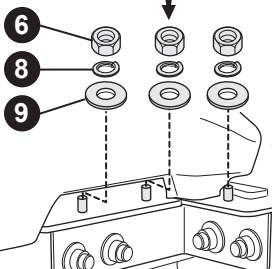
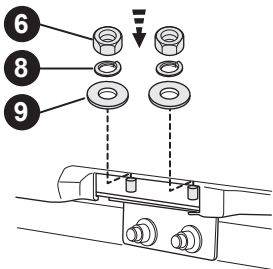


12

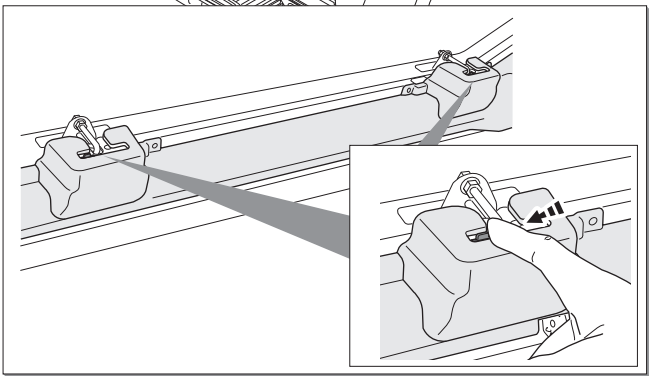
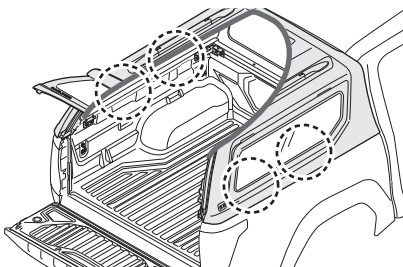


Torque 18 Nm.

Torque 18 Nm.

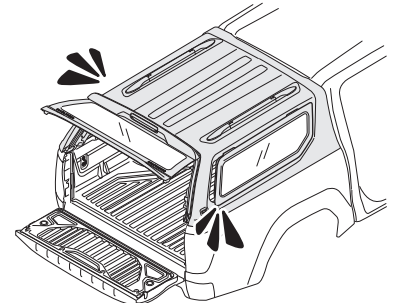
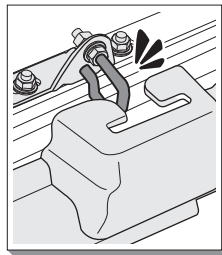


13

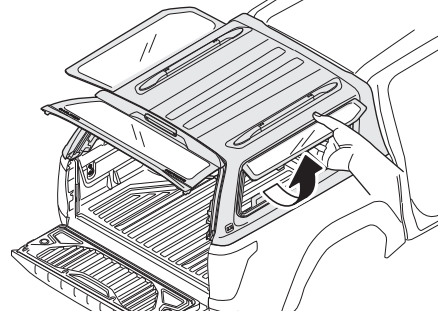


14

1st

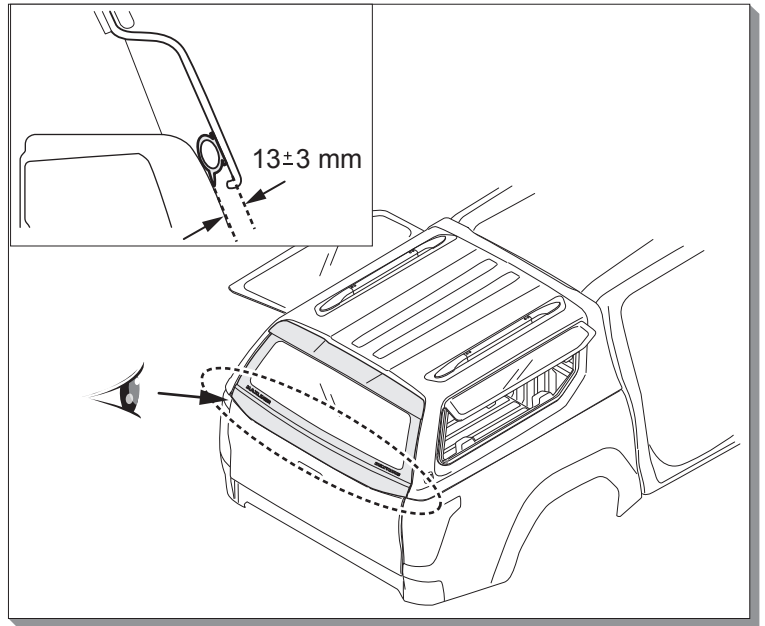
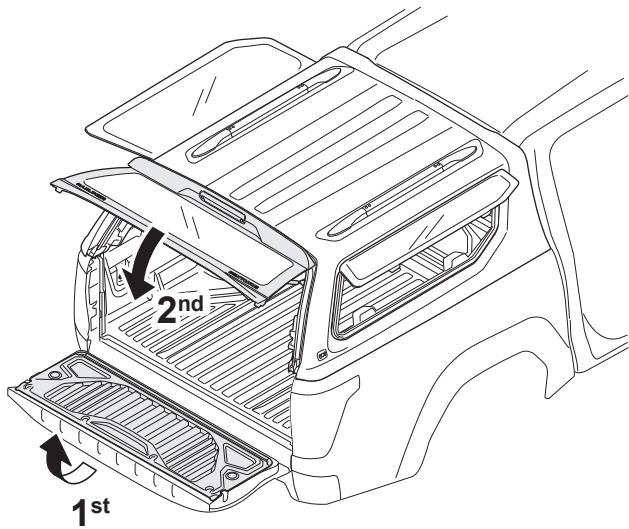


2nd

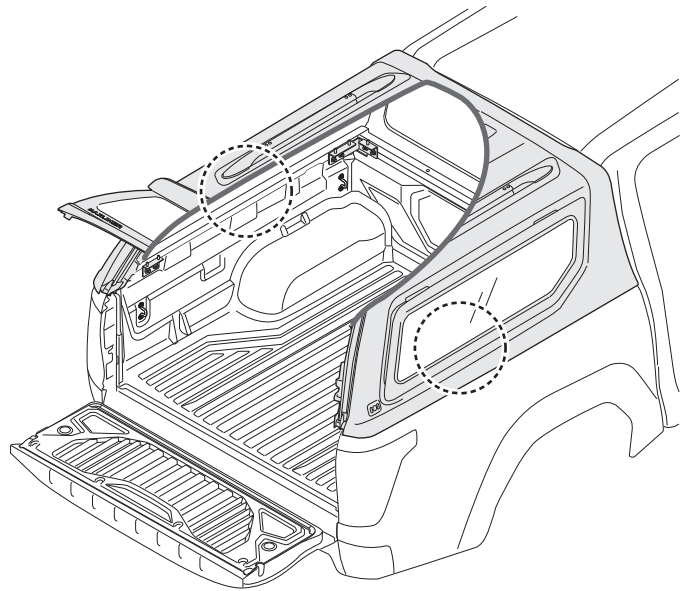
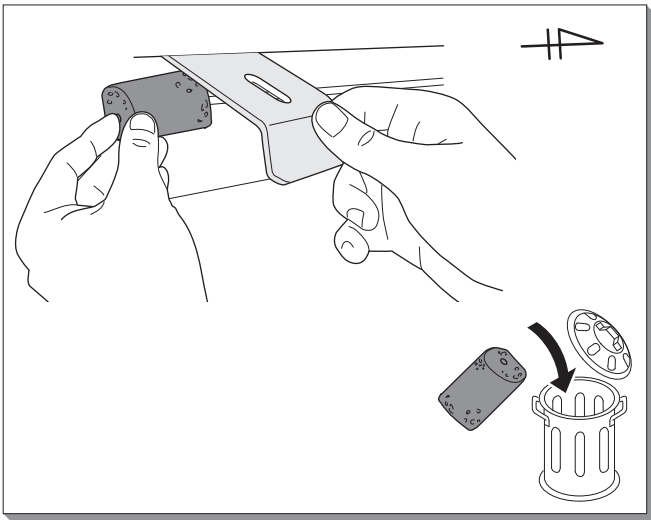


Instruction procedure

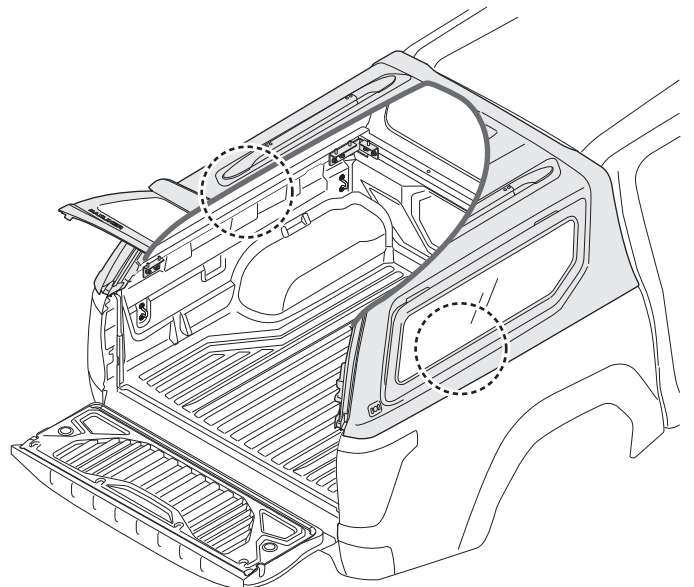
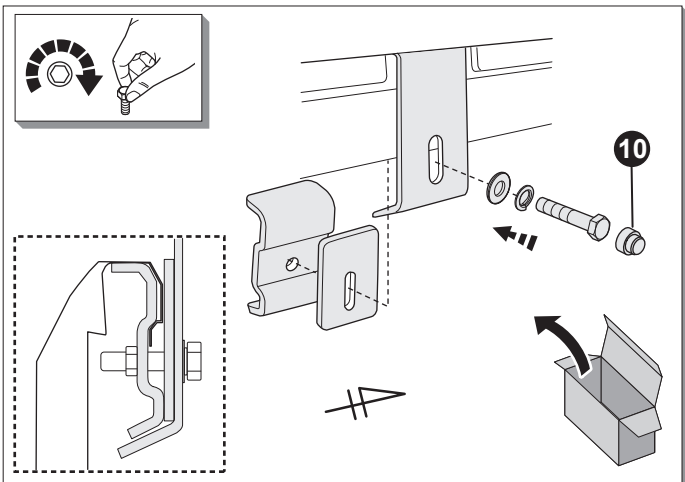
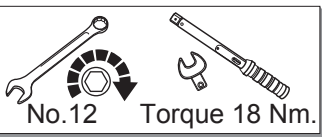
15

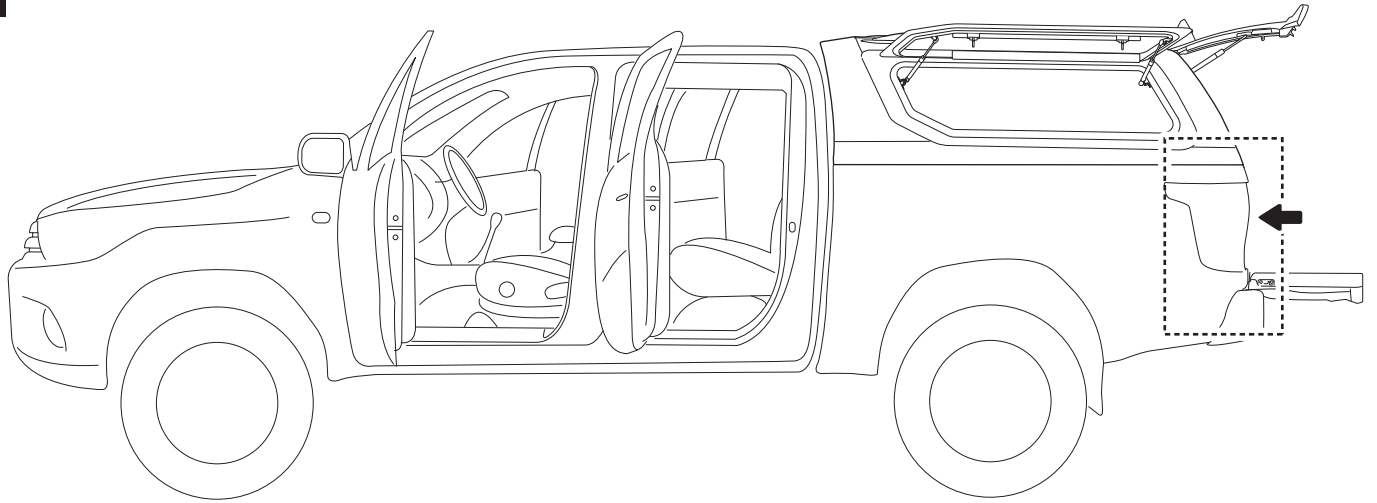


16

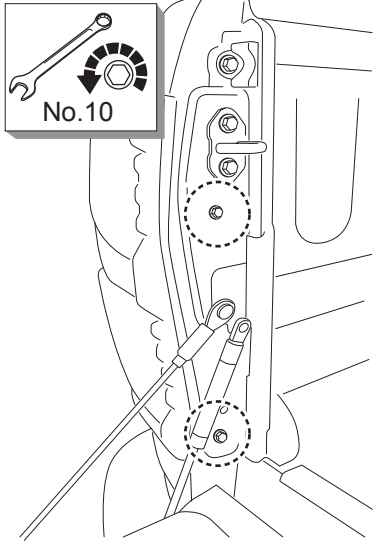


17

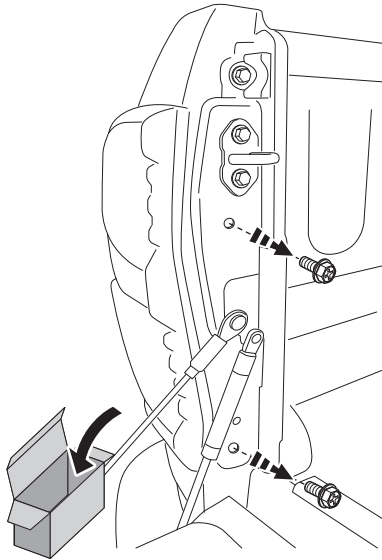




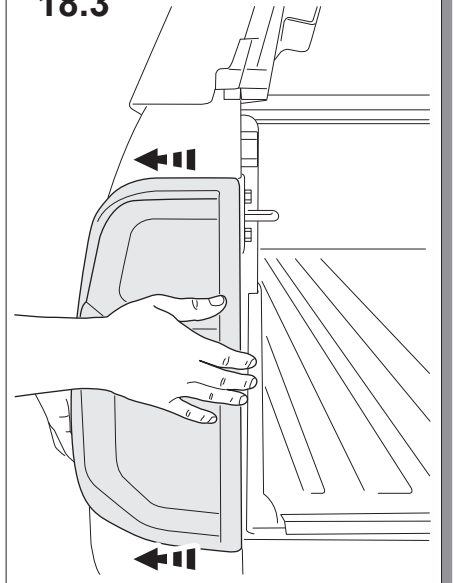
18.1



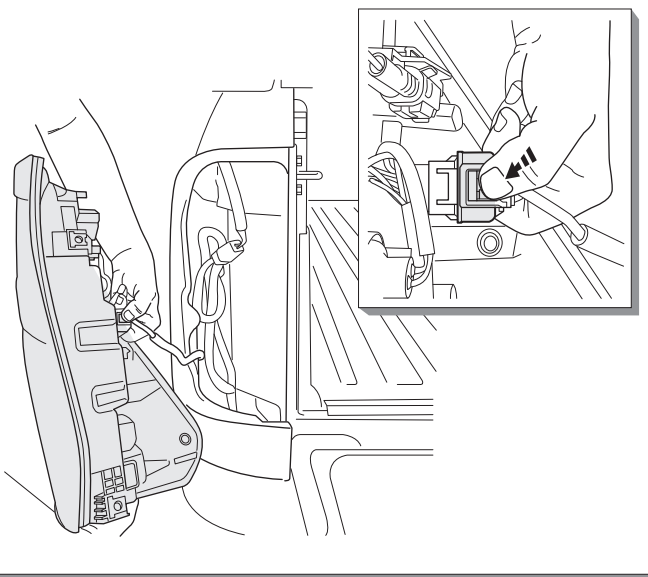
18.2



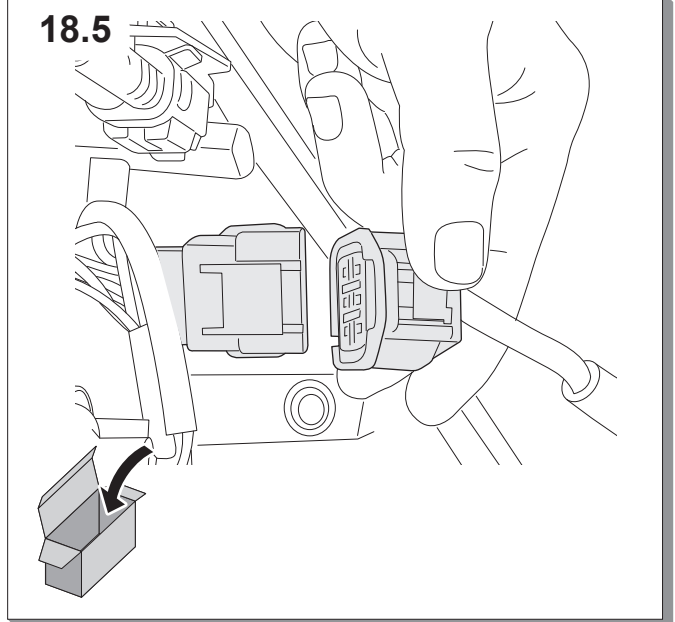
18.3

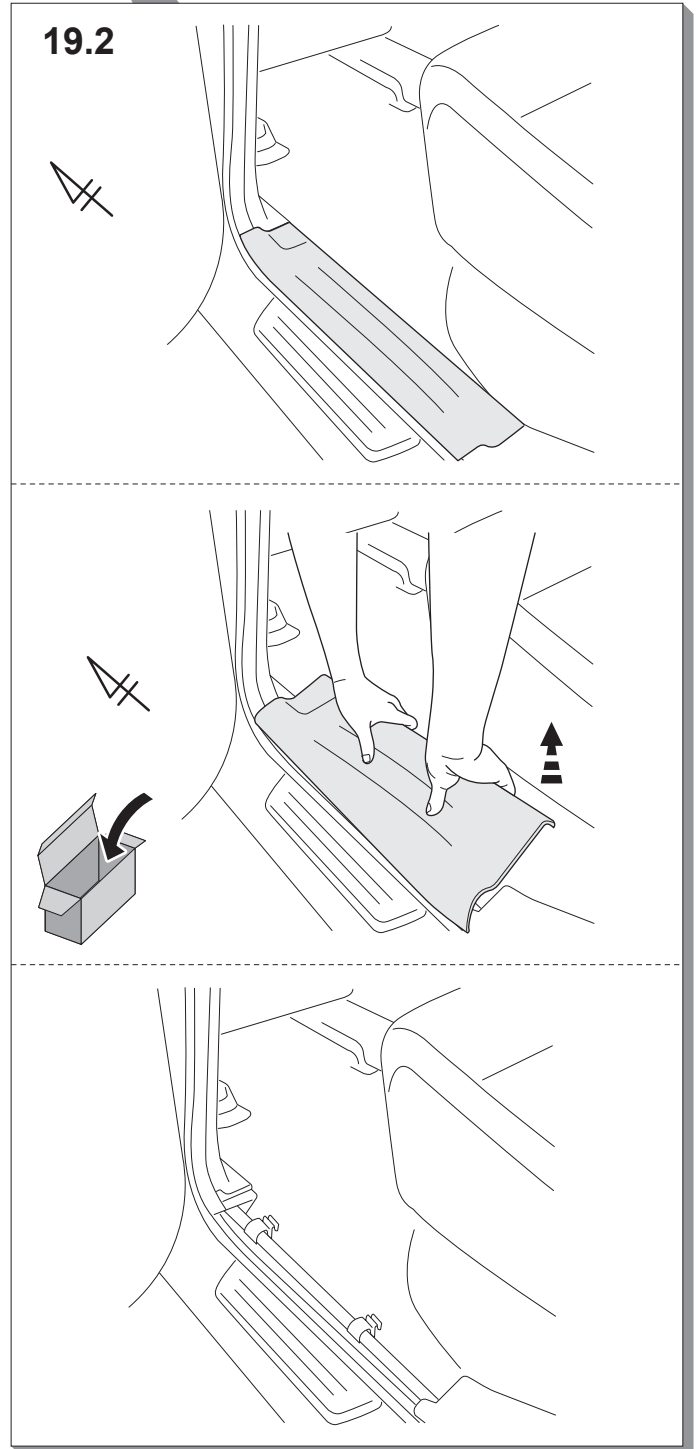
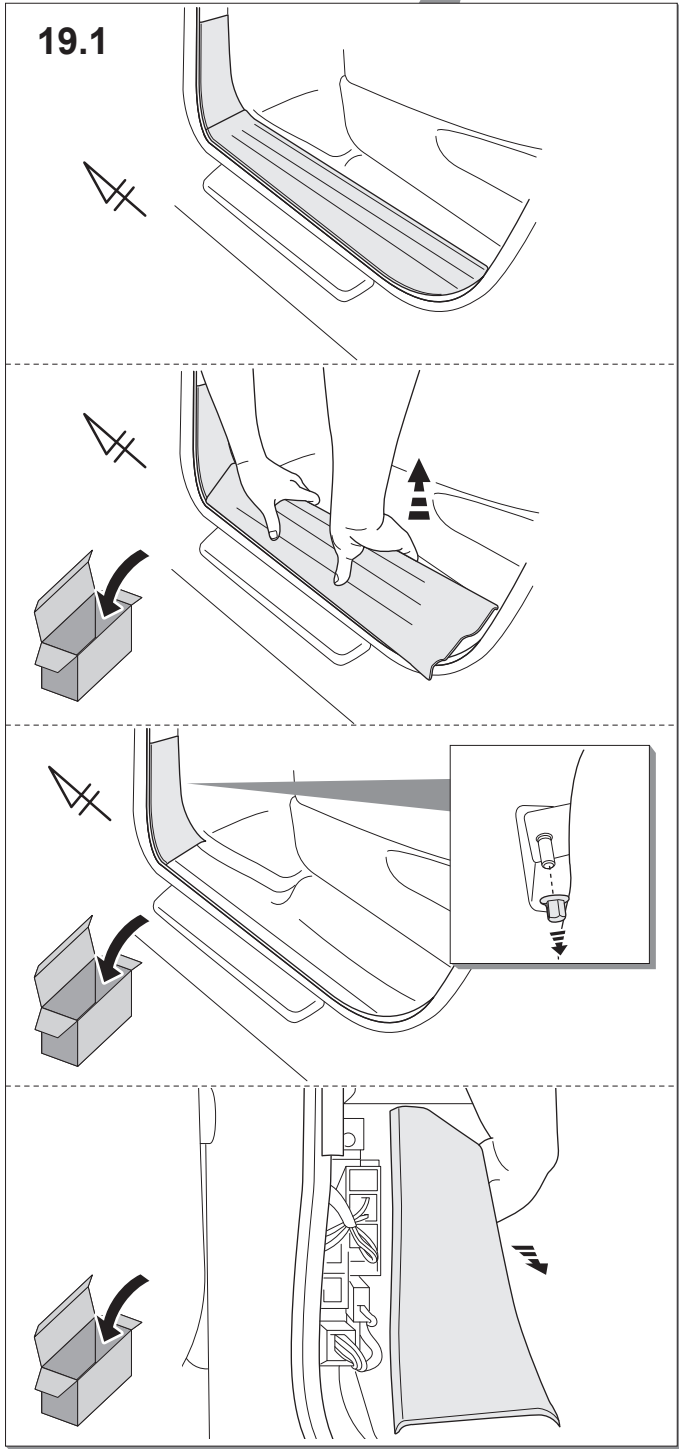
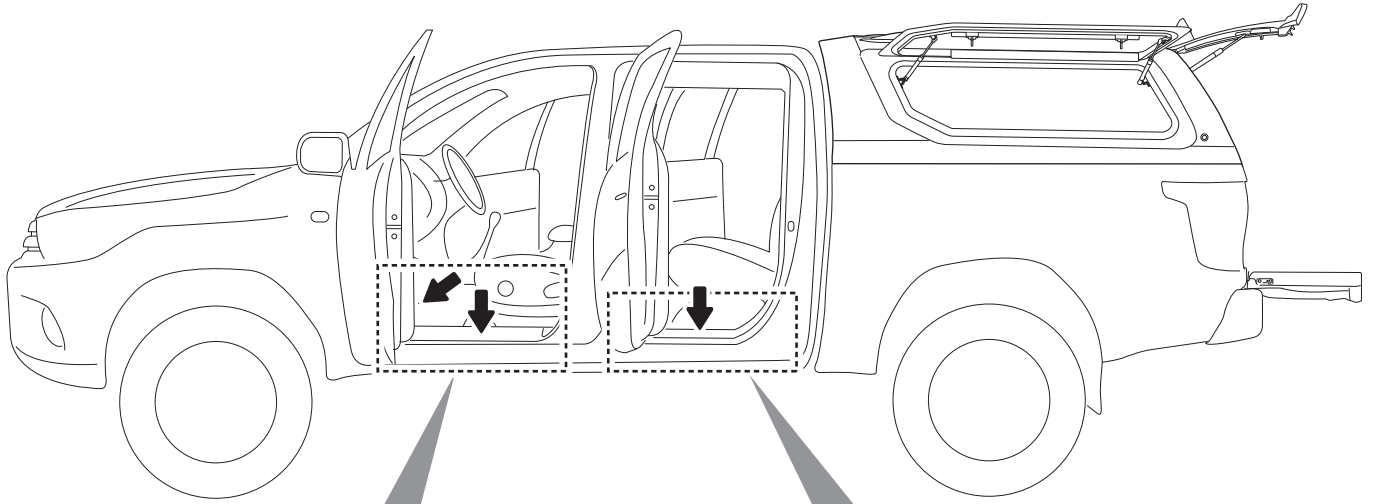


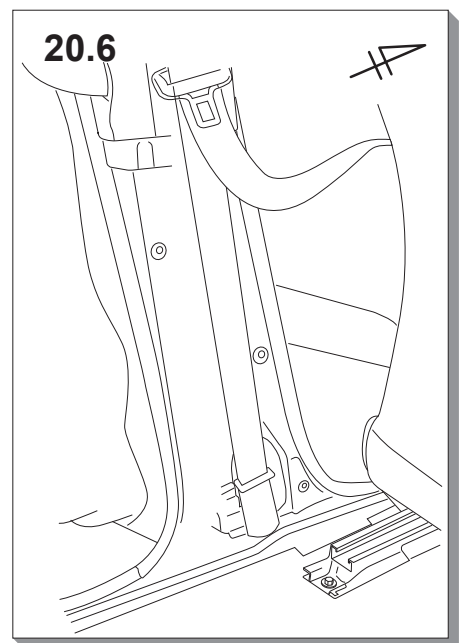
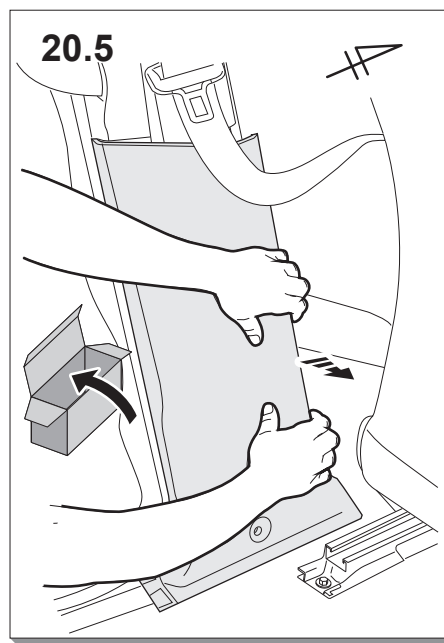
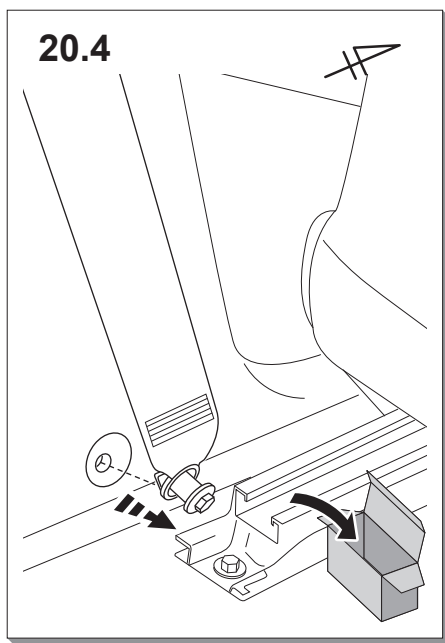
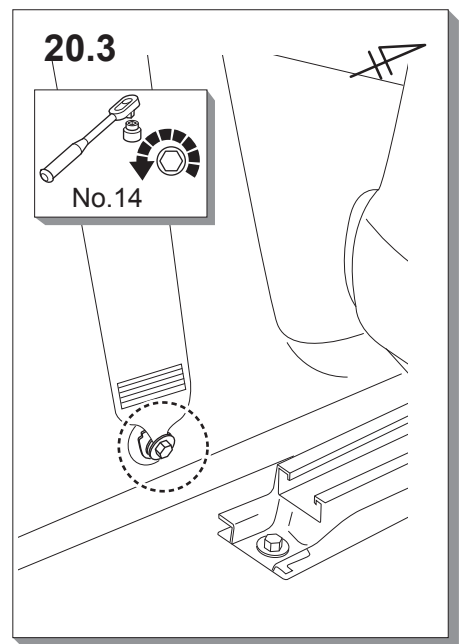
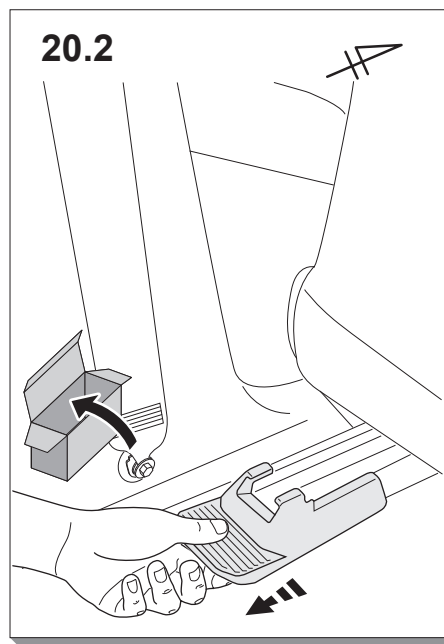
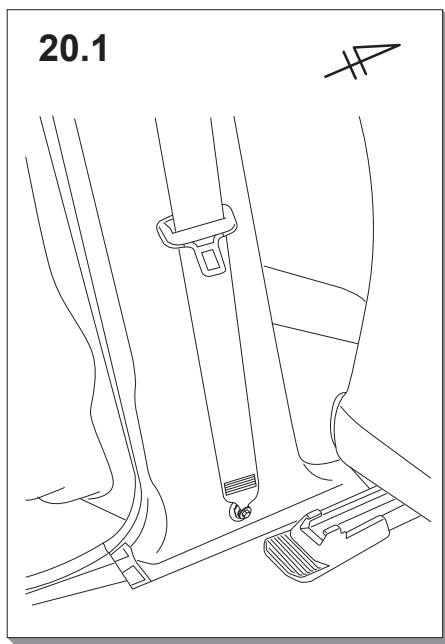
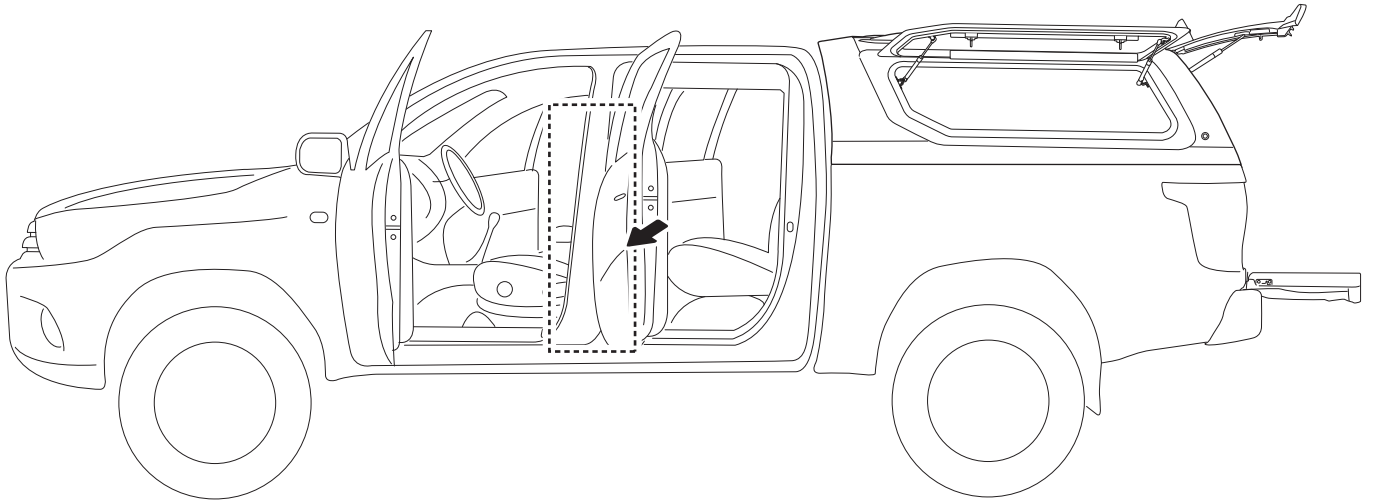
18.4



18.5

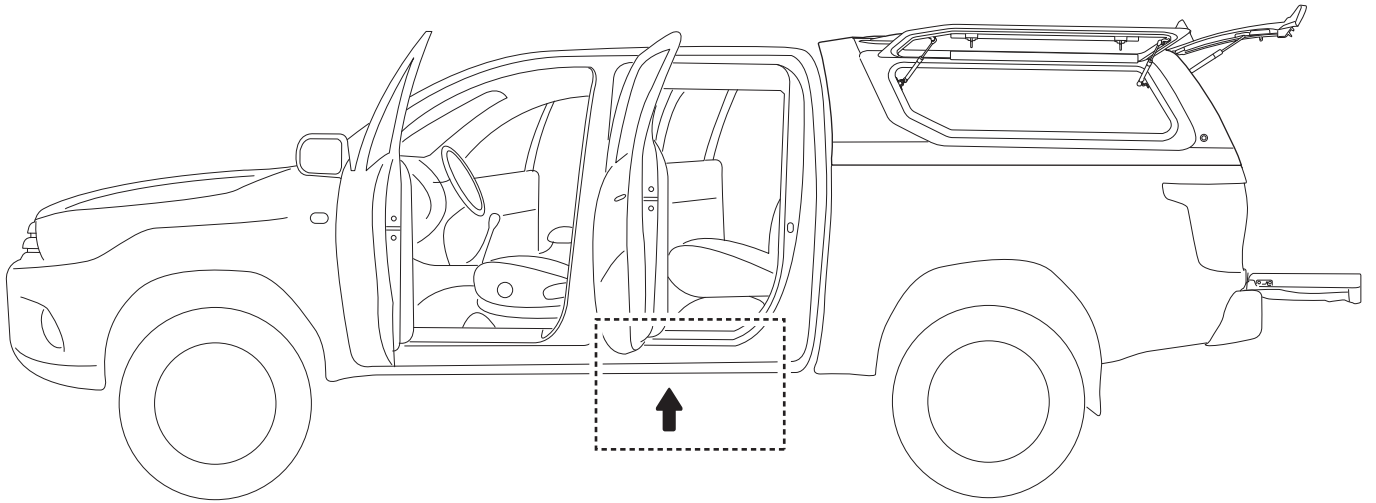




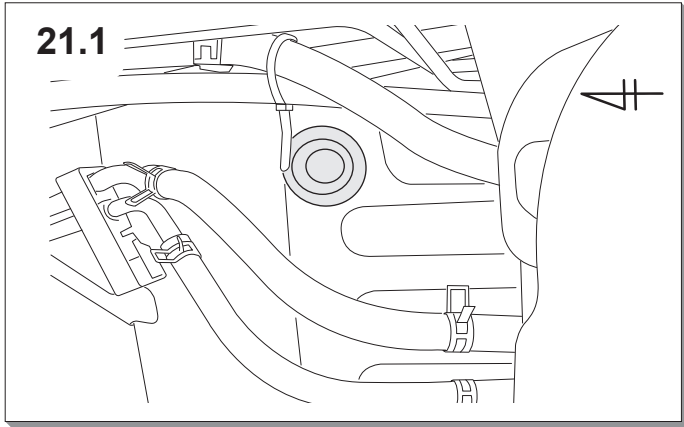


Instruction procedure

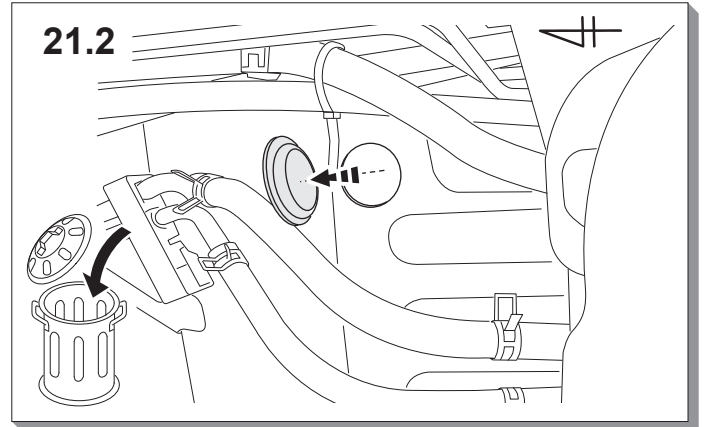
21



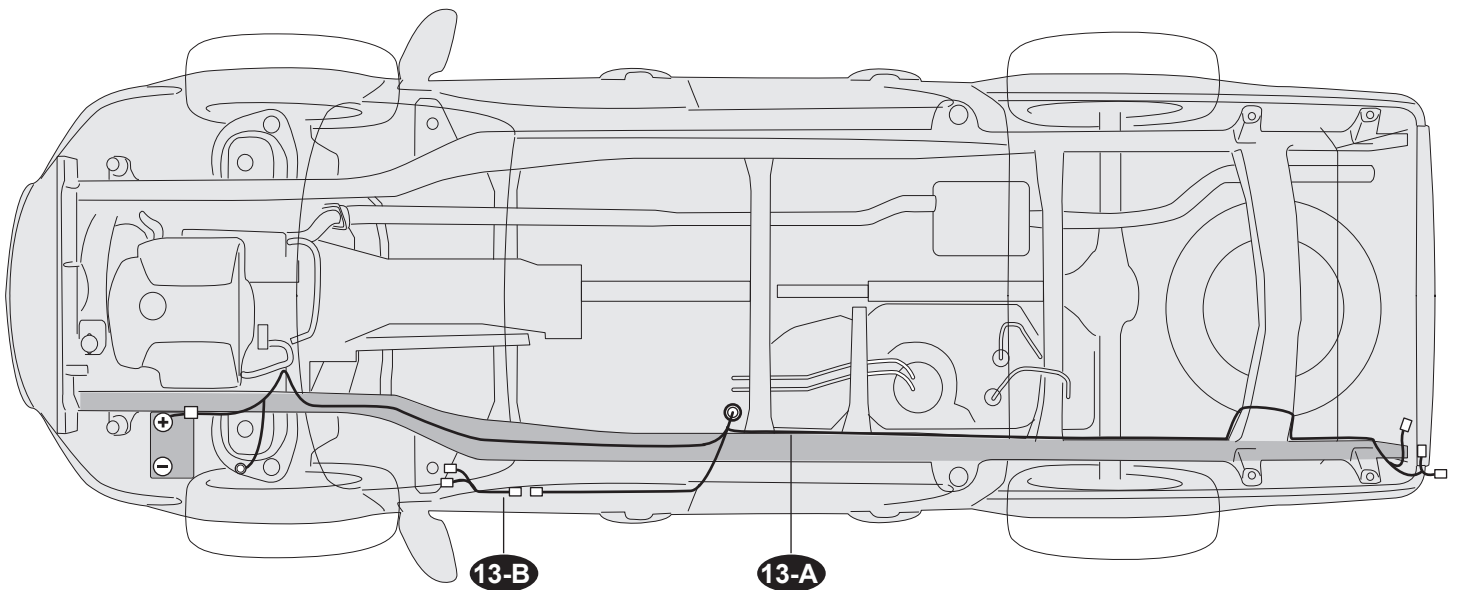
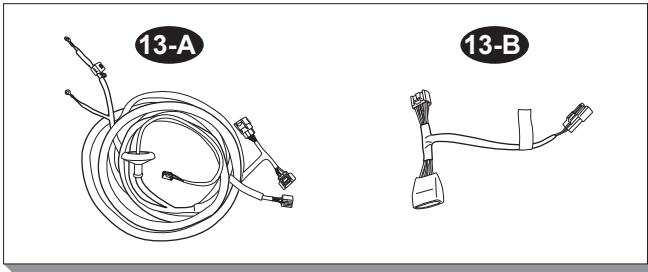
21.1

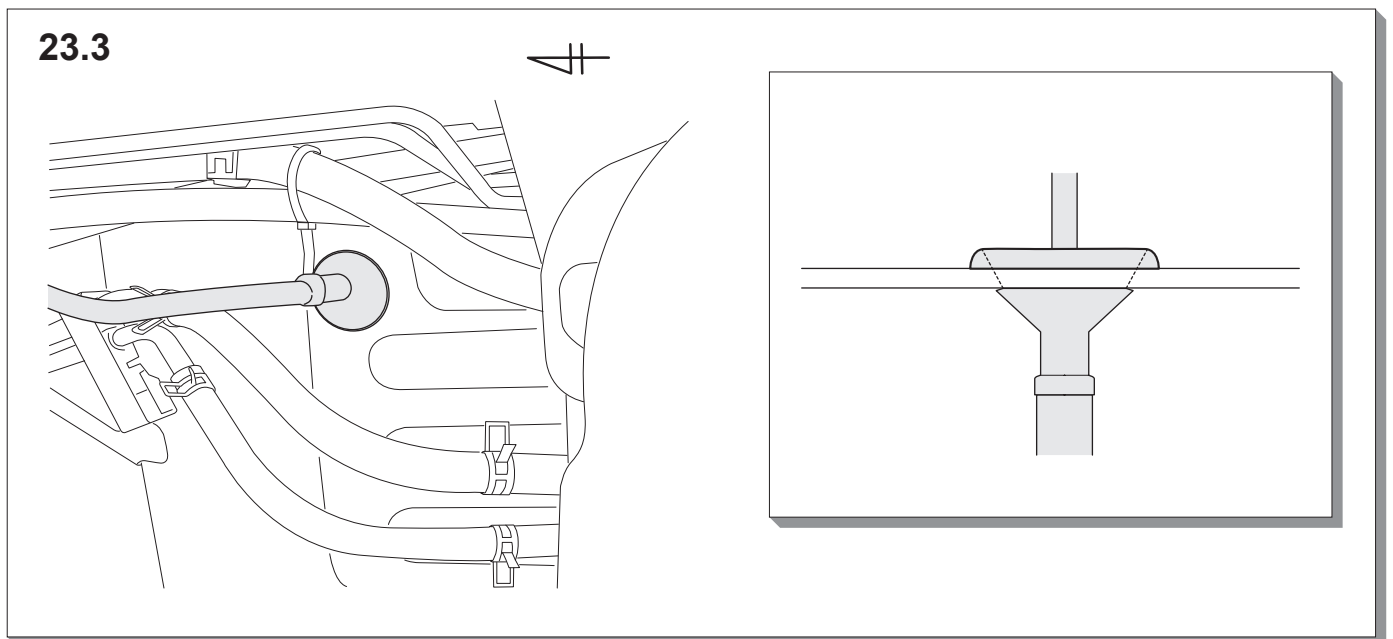
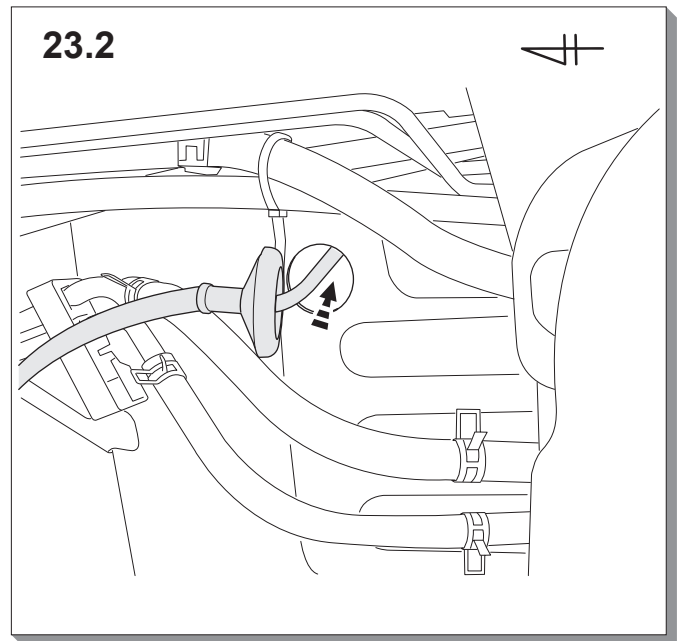
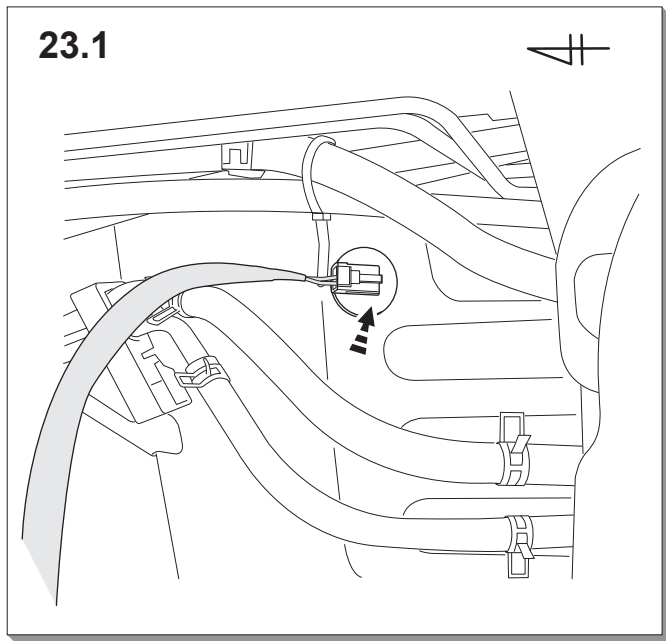
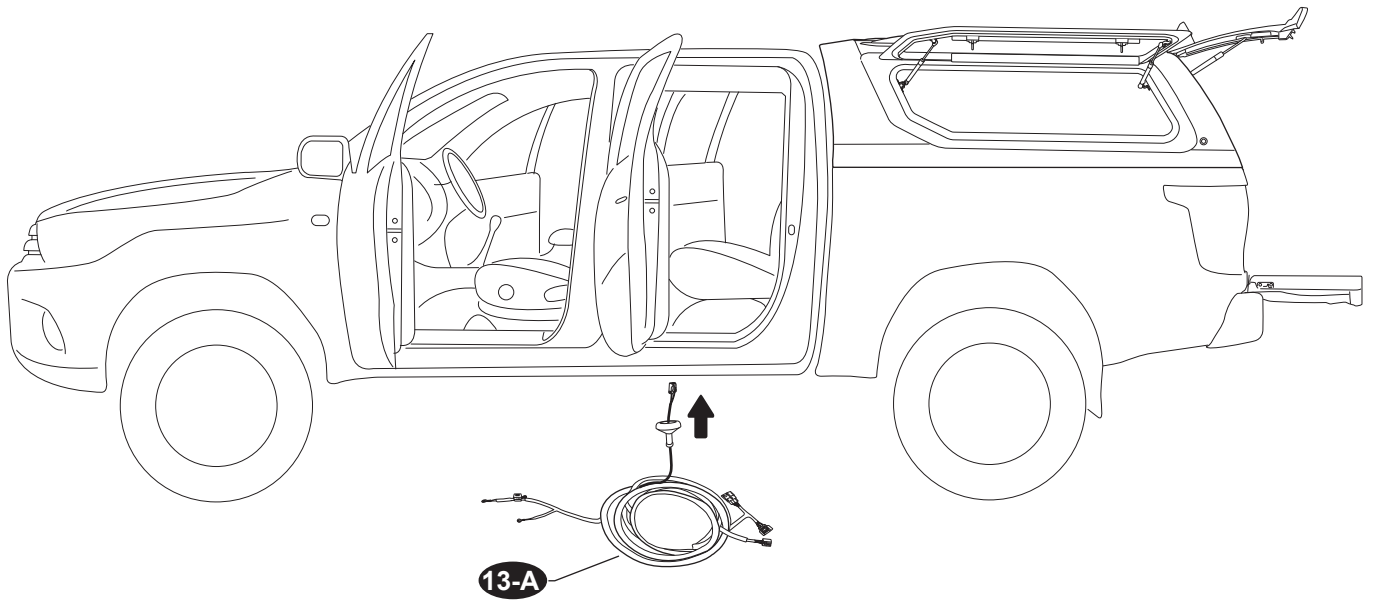


21.2



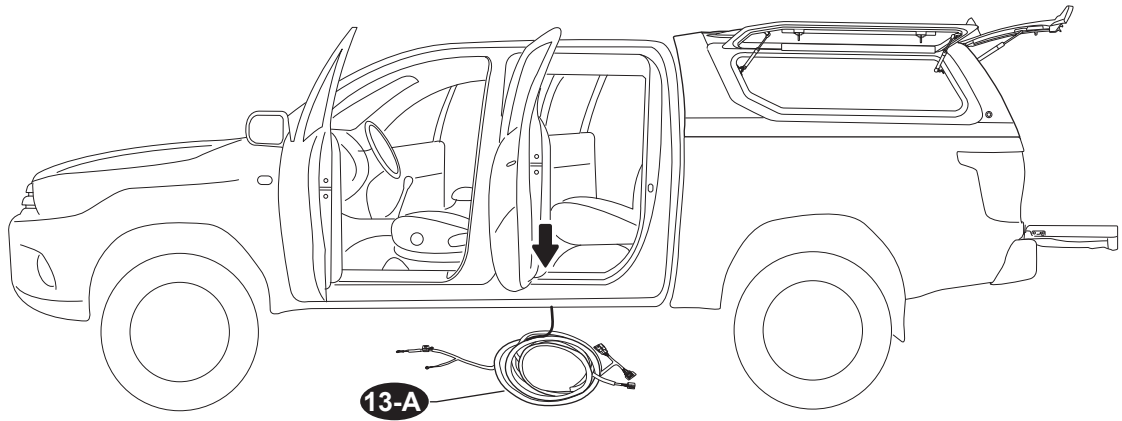
22





Instruction procedure

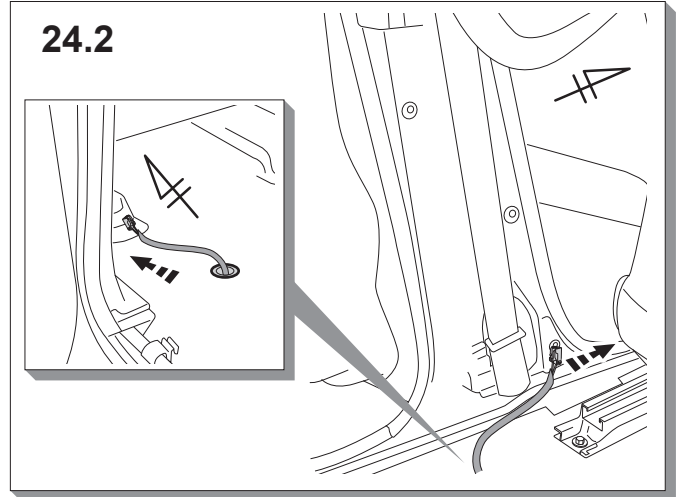
24



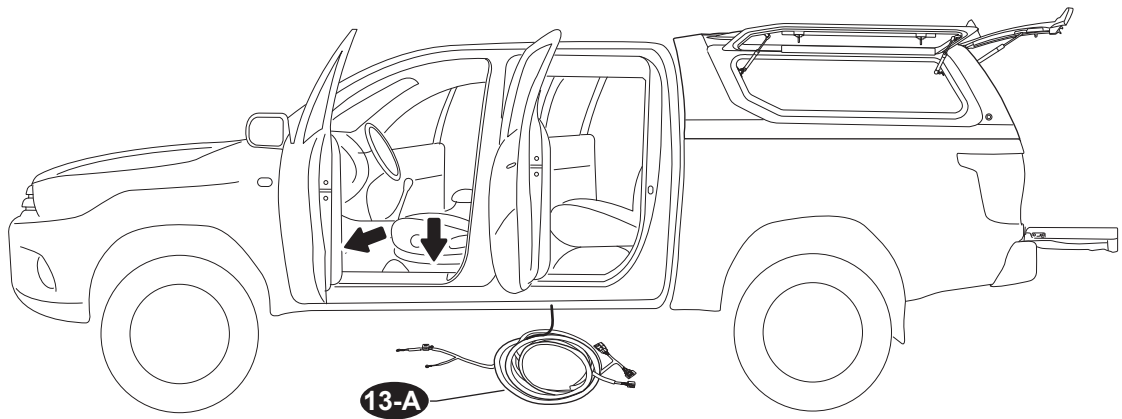
24.1



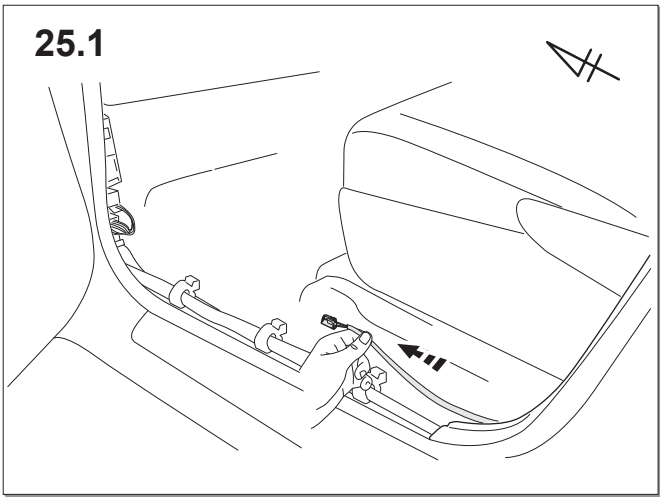
24.2



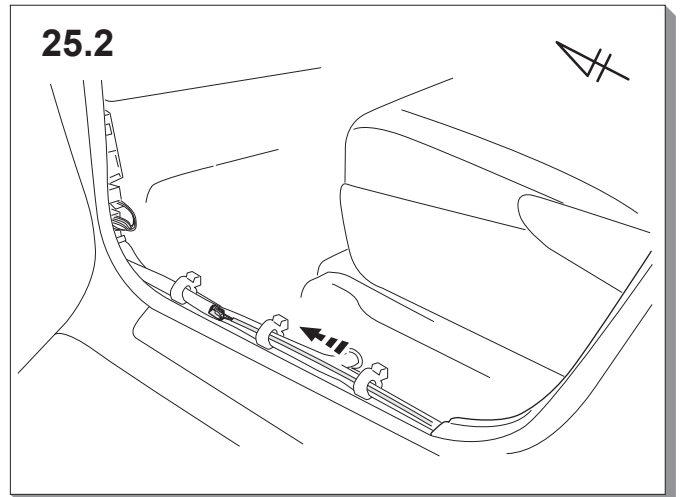
25



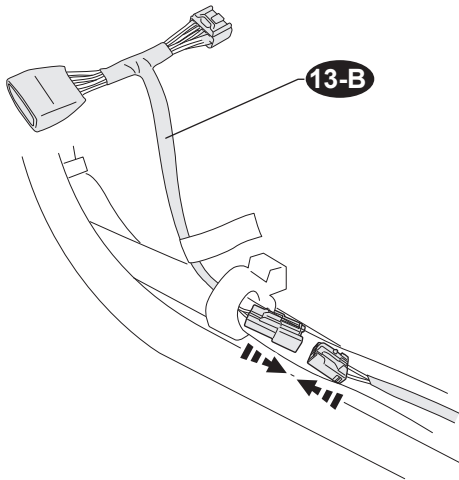
25.1



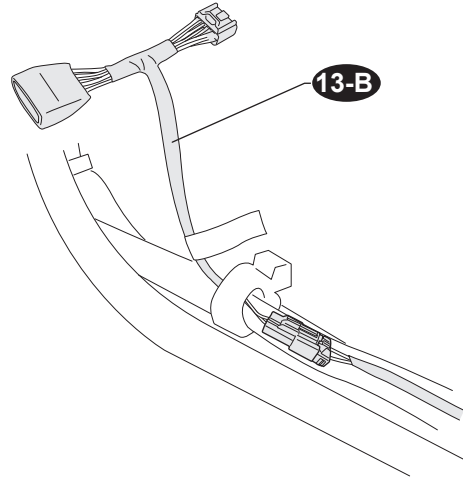
25.2



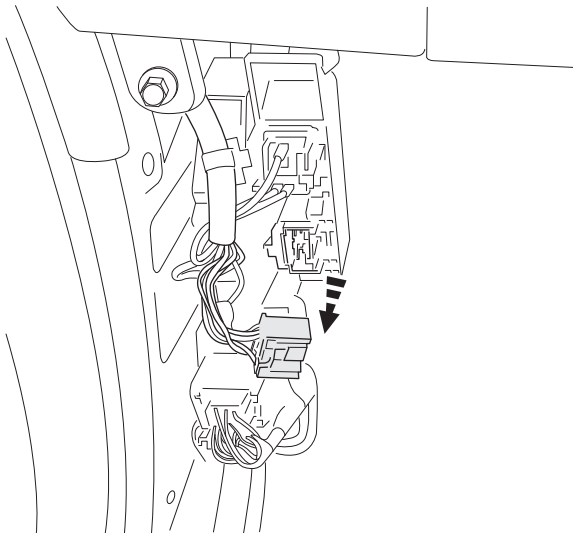
26.1



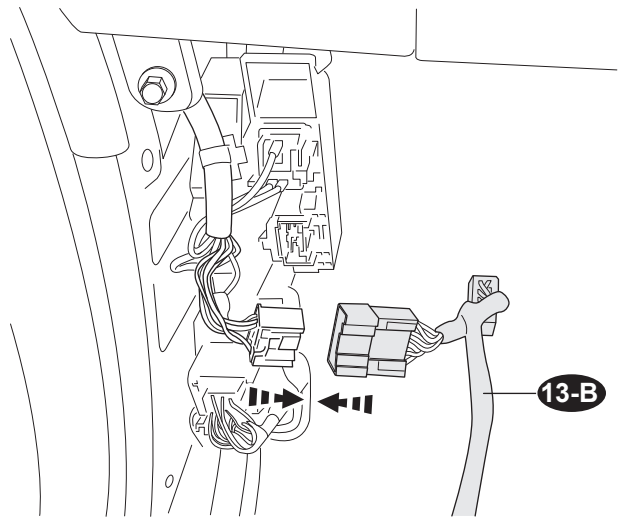
26.2



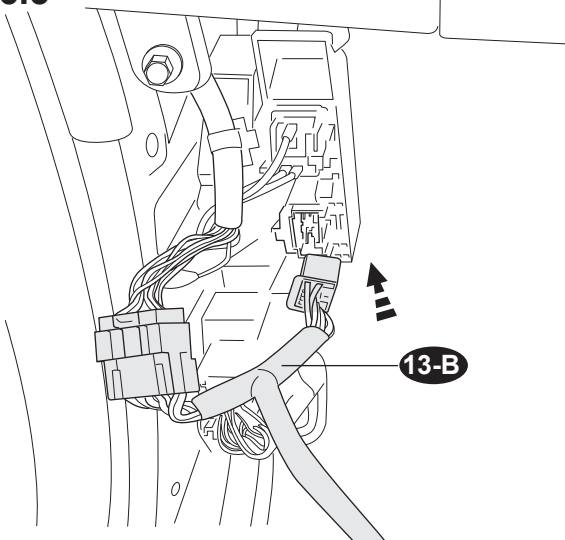
26.3



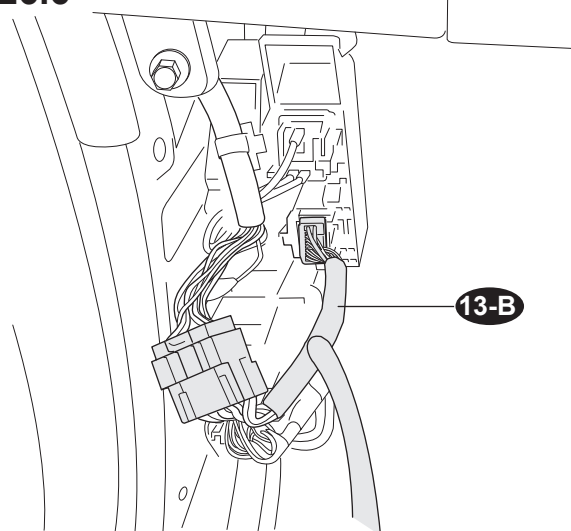
26.4



26.5

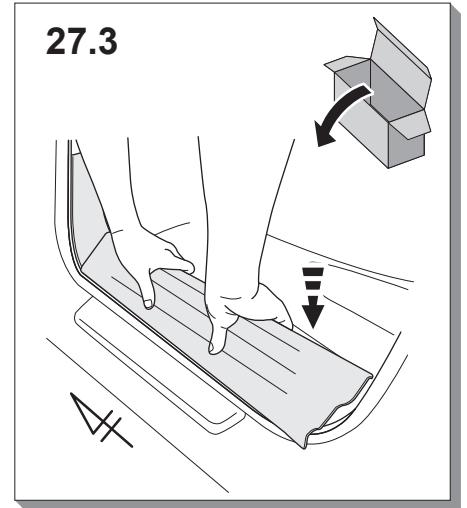
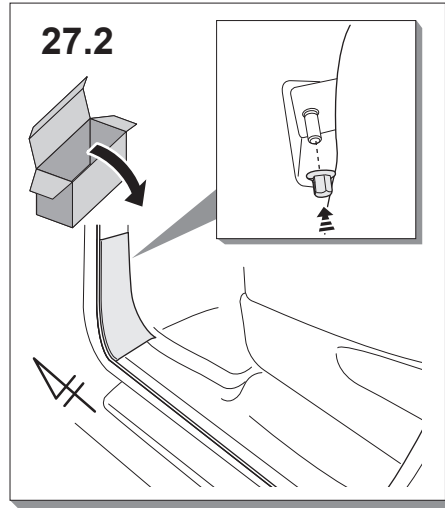
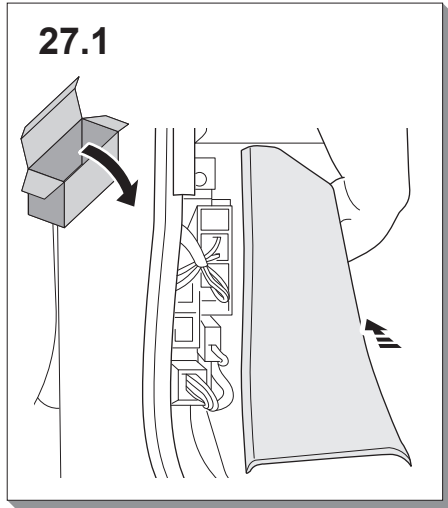
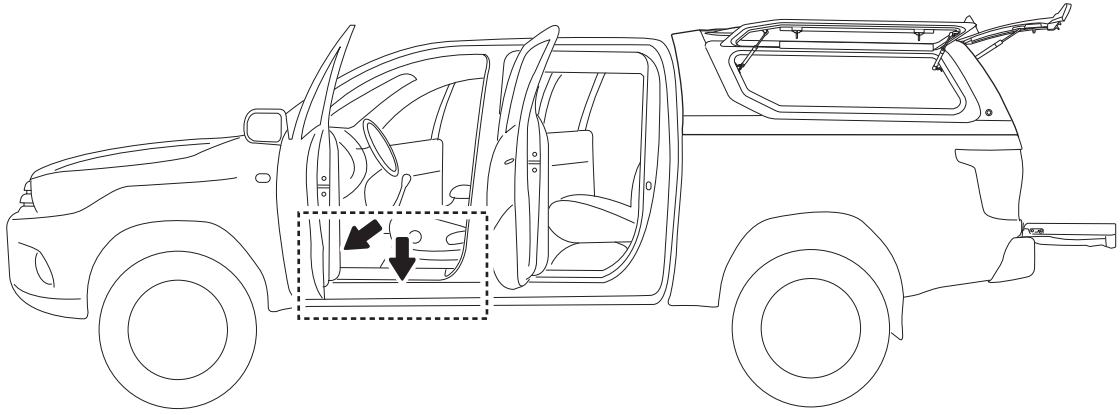


26.6

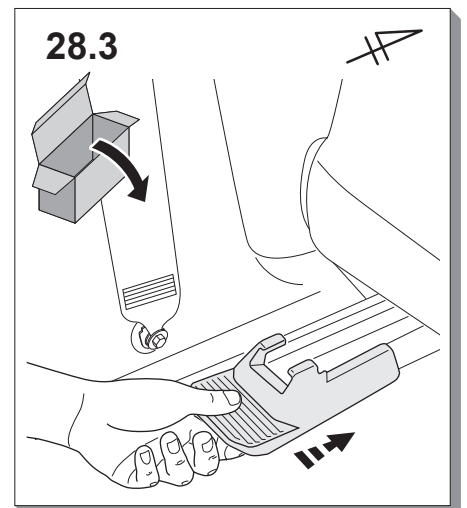
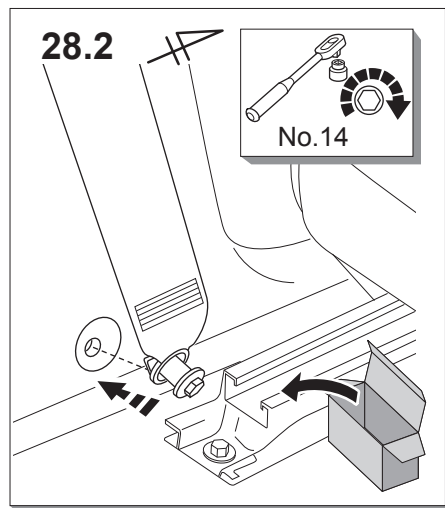
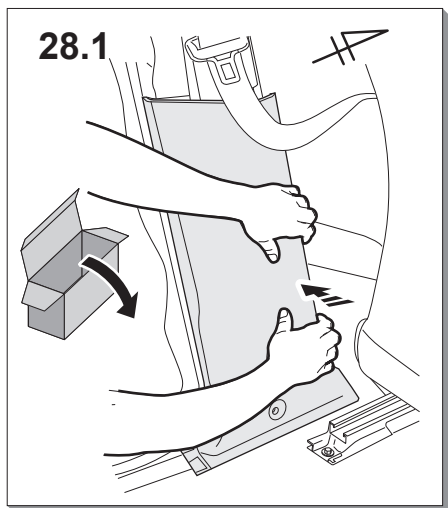
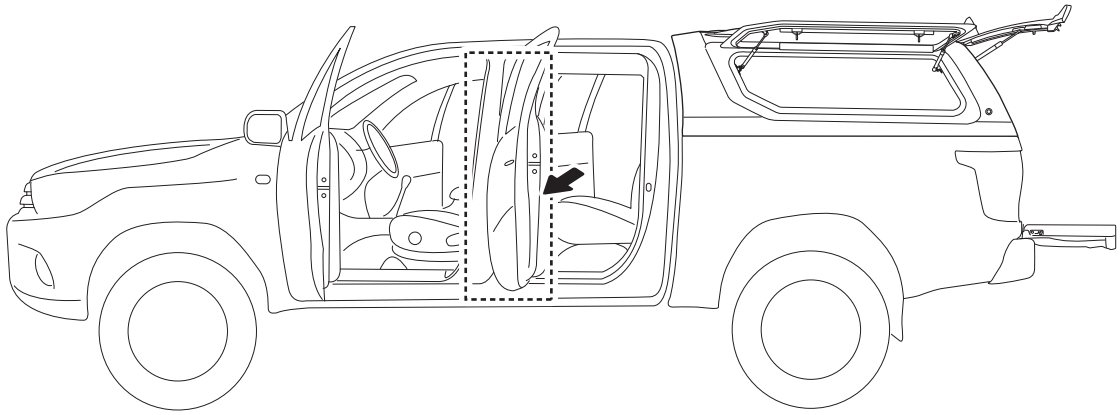


Instruction procedure

27

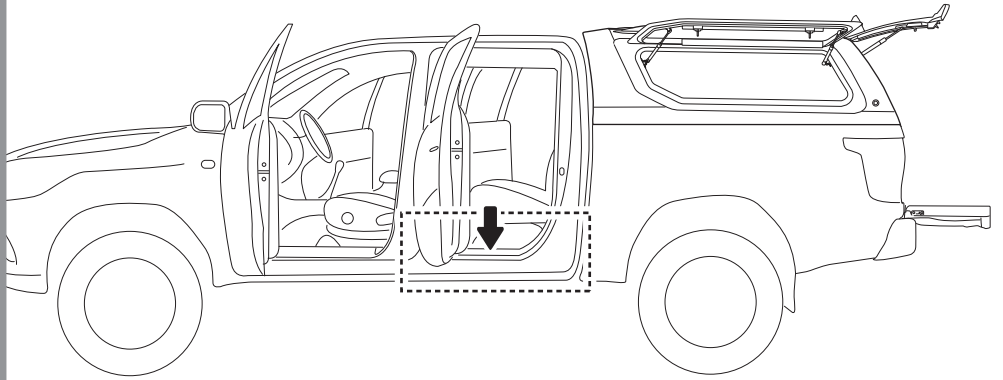
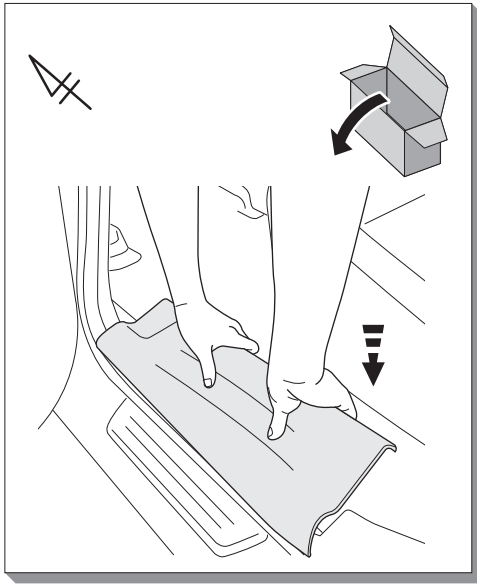


28

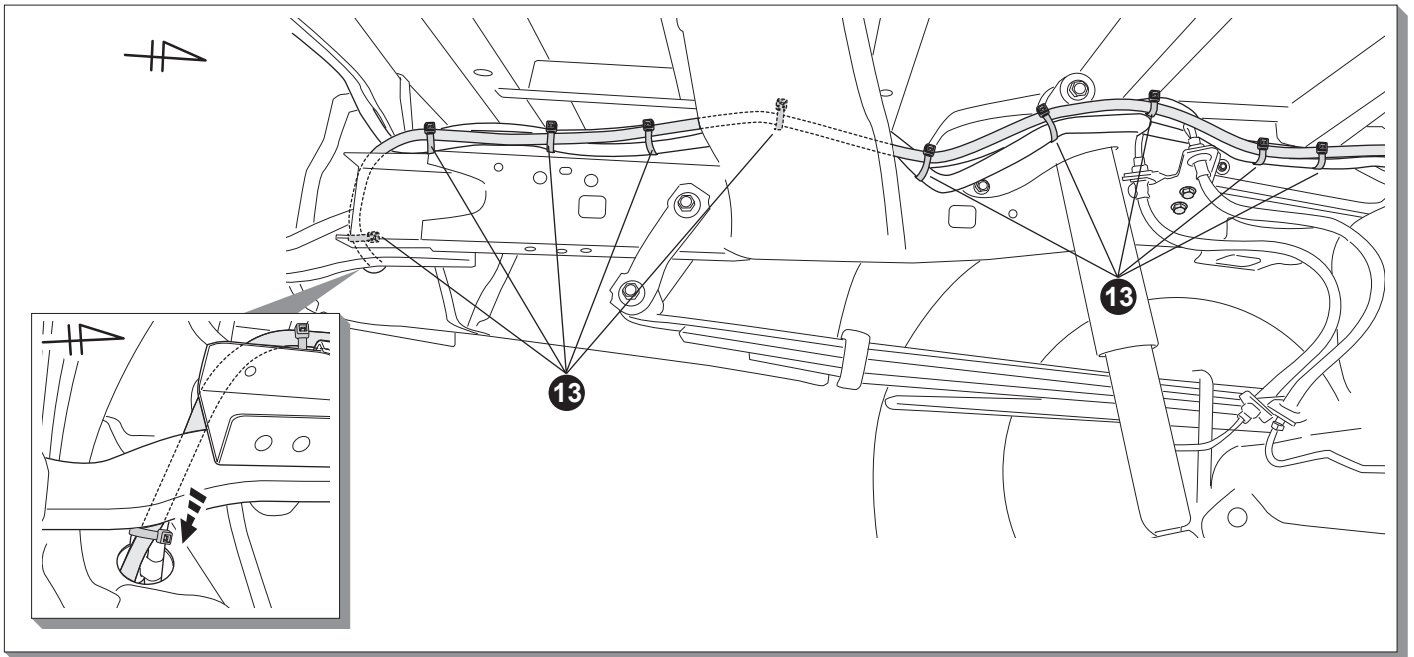
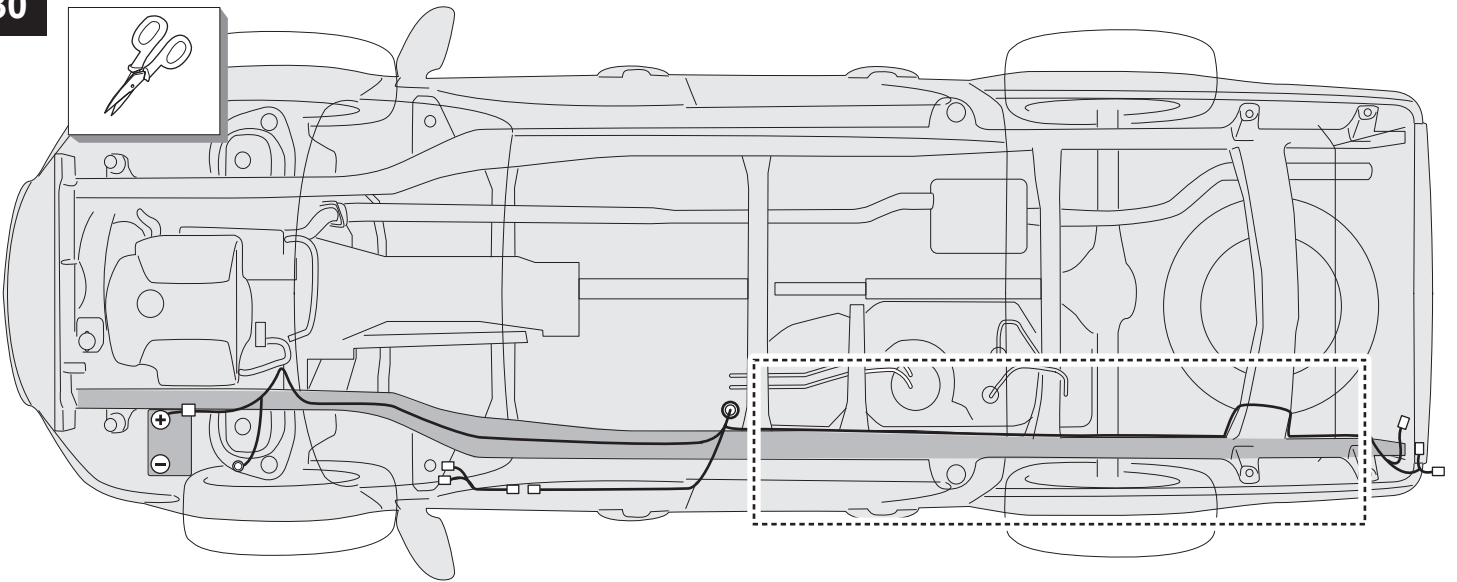


Instruction procedure

29

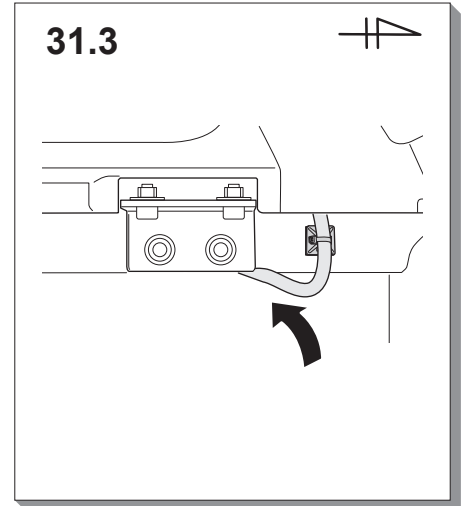
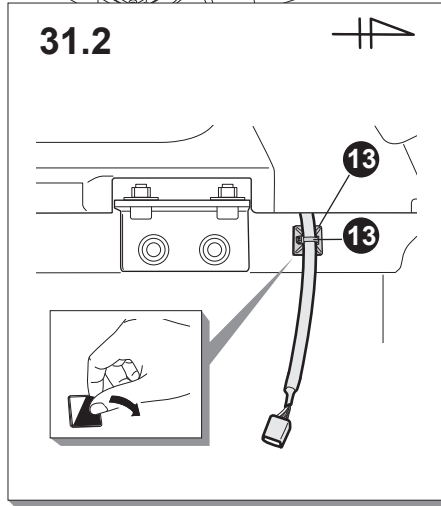
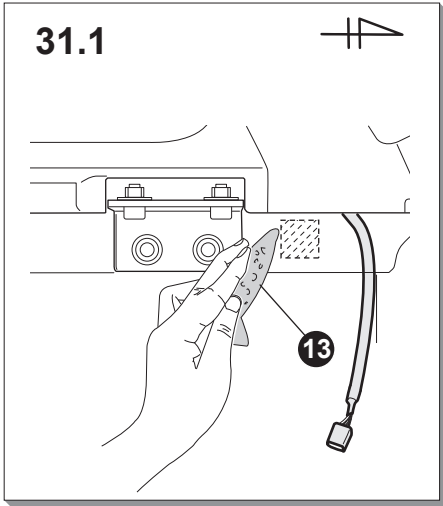
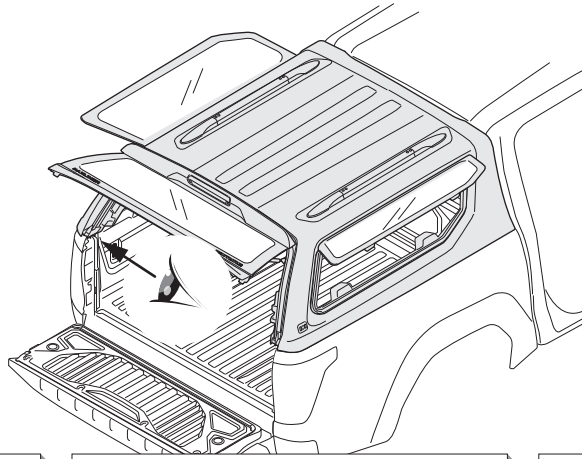
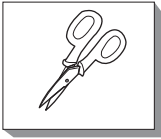


30

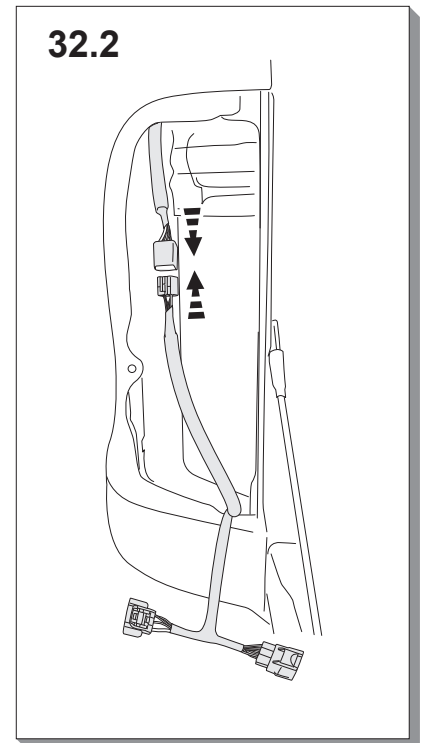
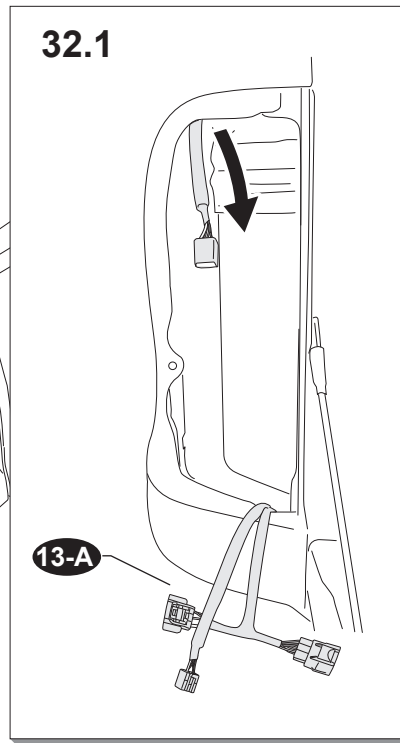
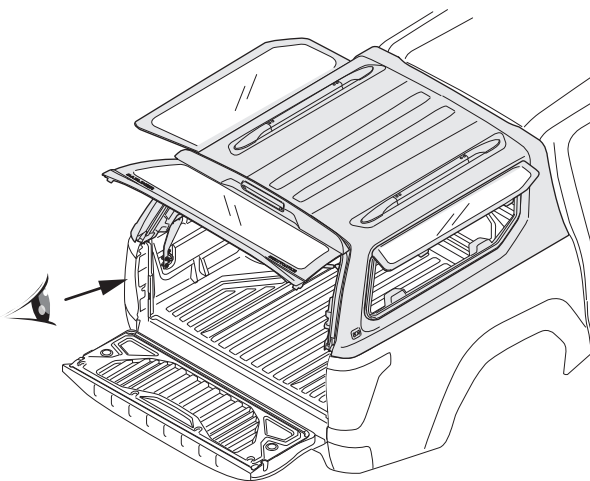


Instruction procedure

31

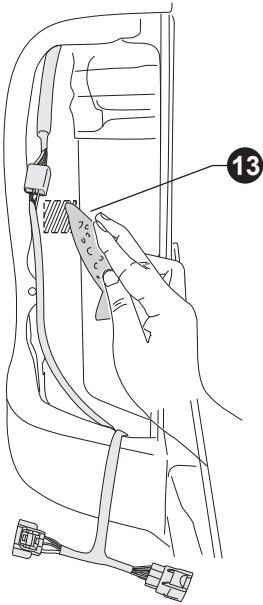


32

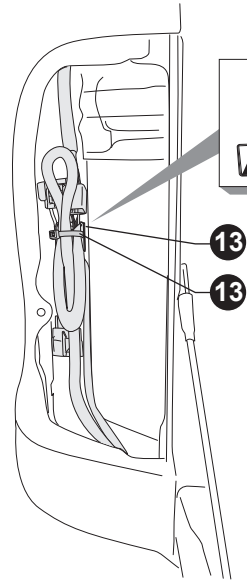
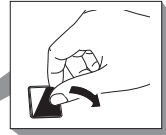


Instruction procedure

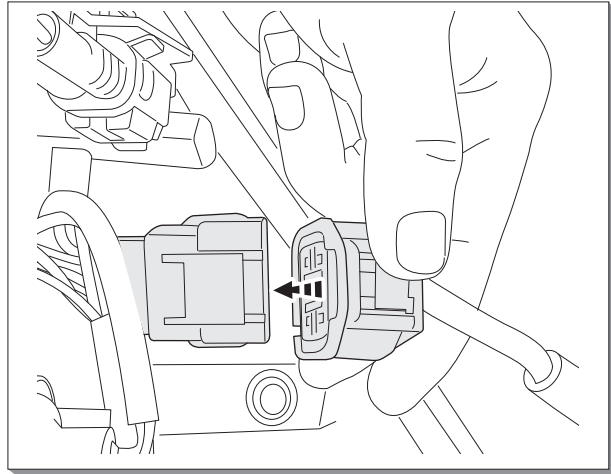
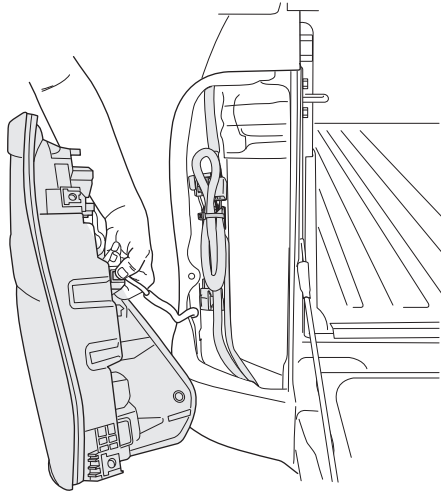
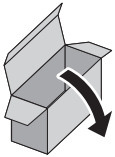
32.3



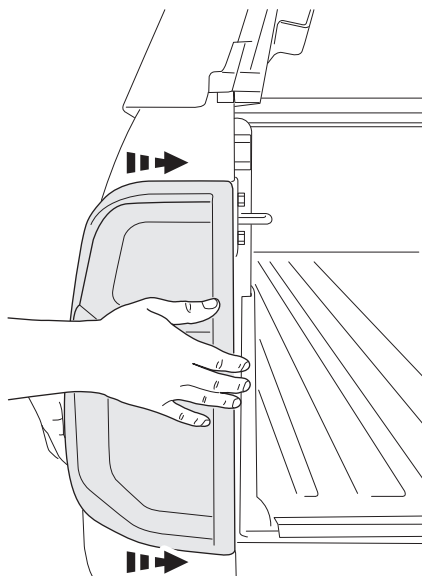
32.4



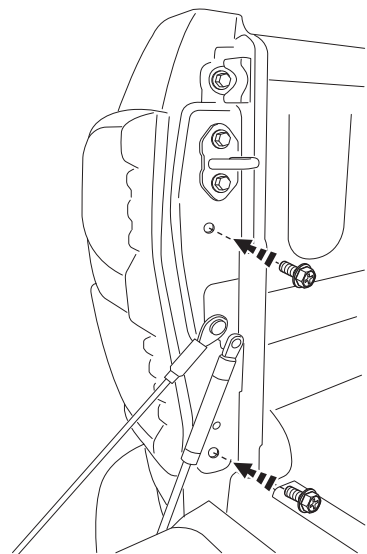
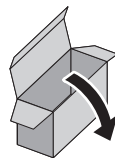
32.5



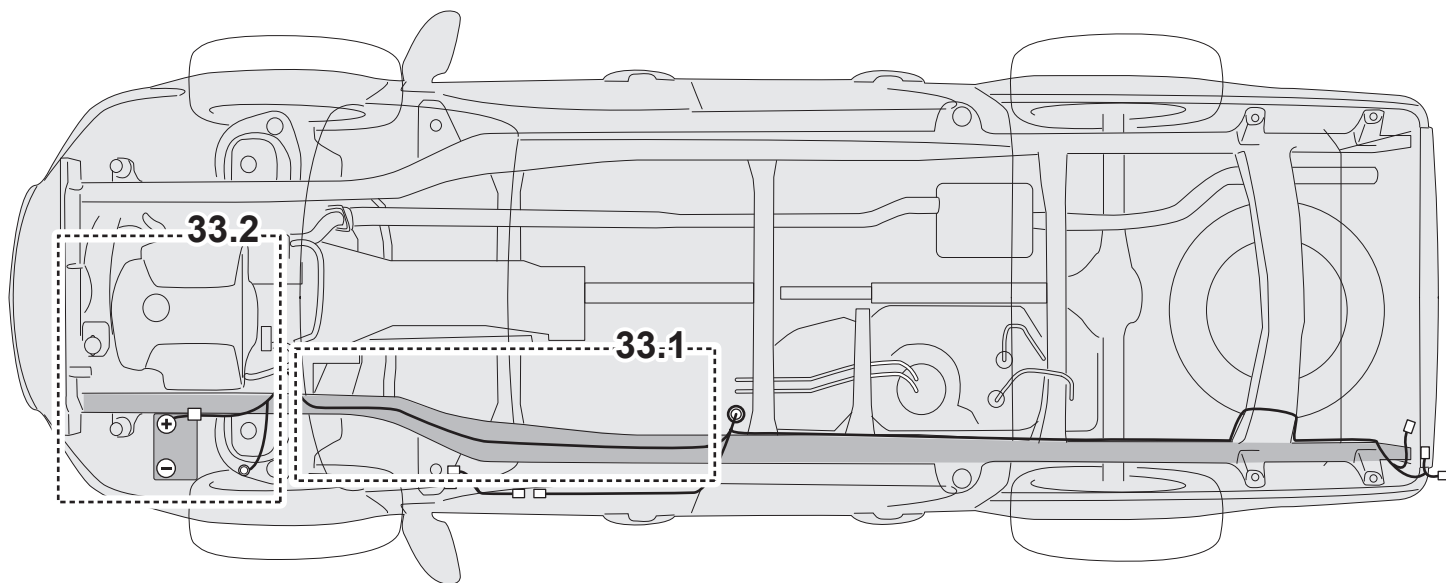
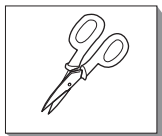
32.6



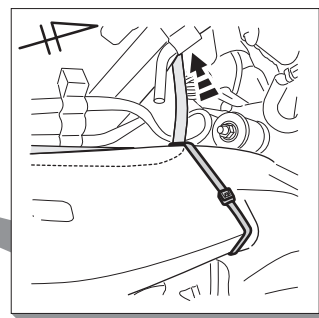
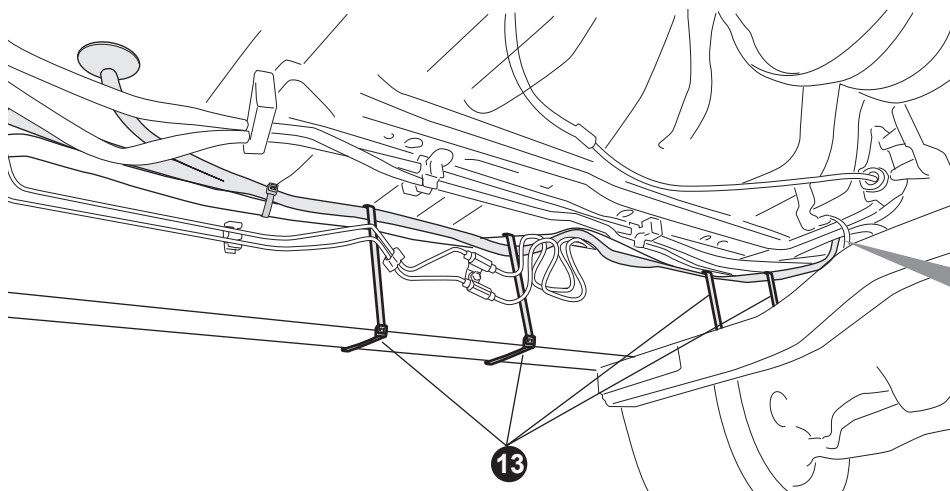
32.7



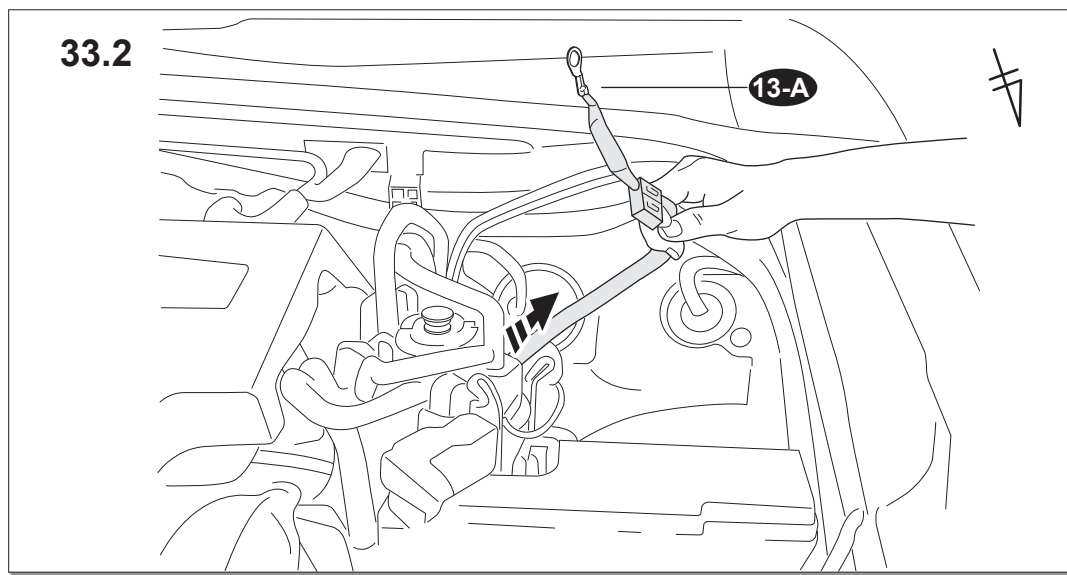
33



33.1 

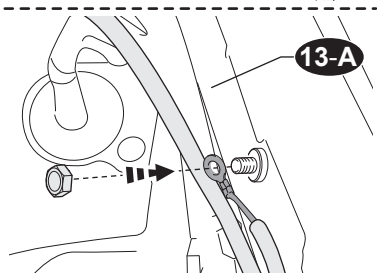
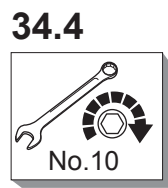
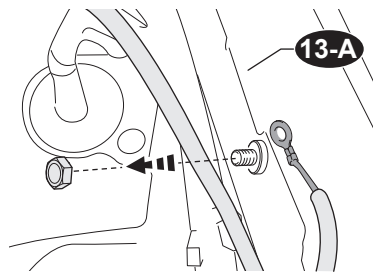
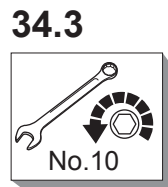
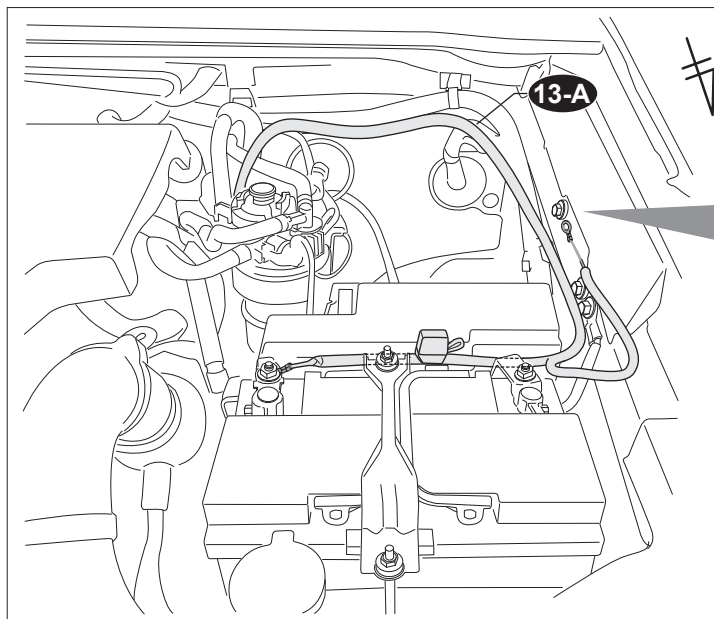
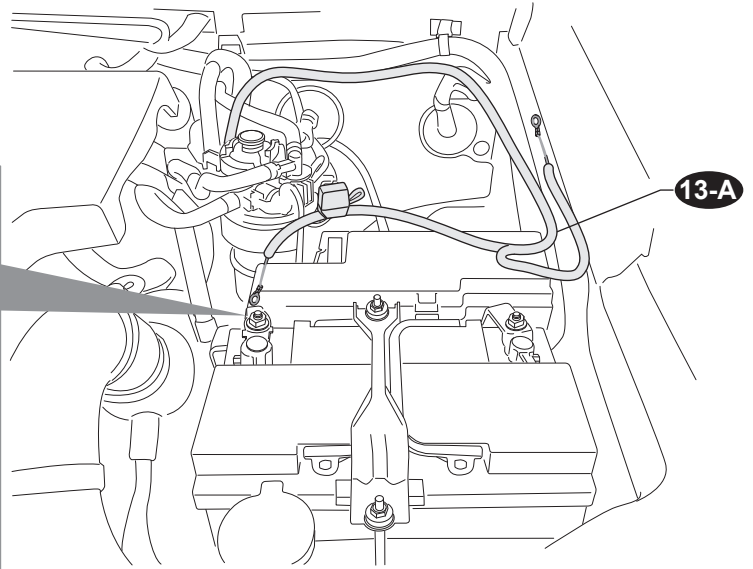
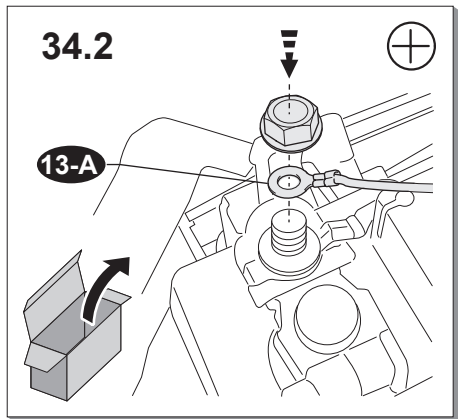
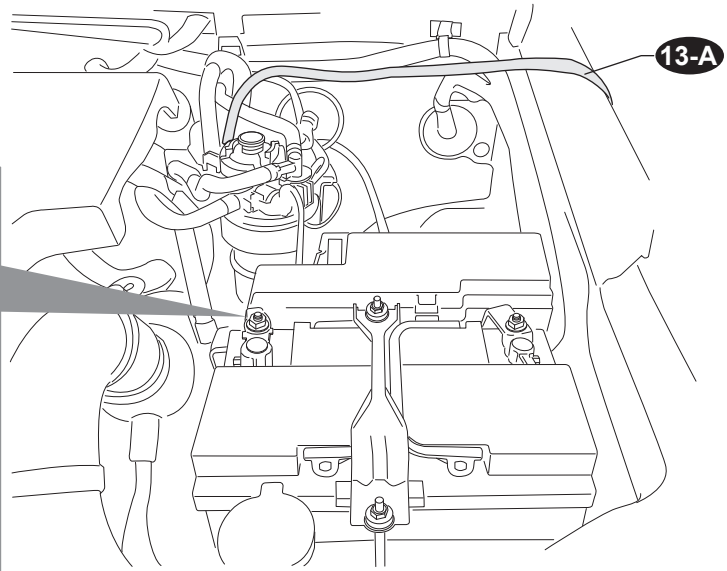
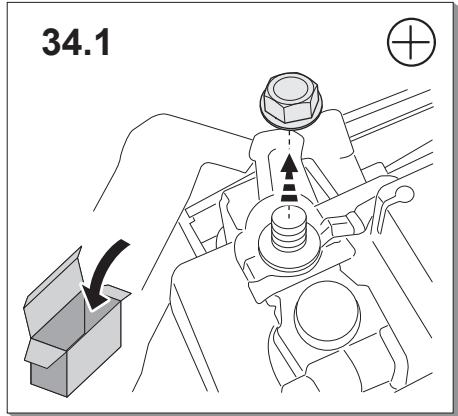


33.2



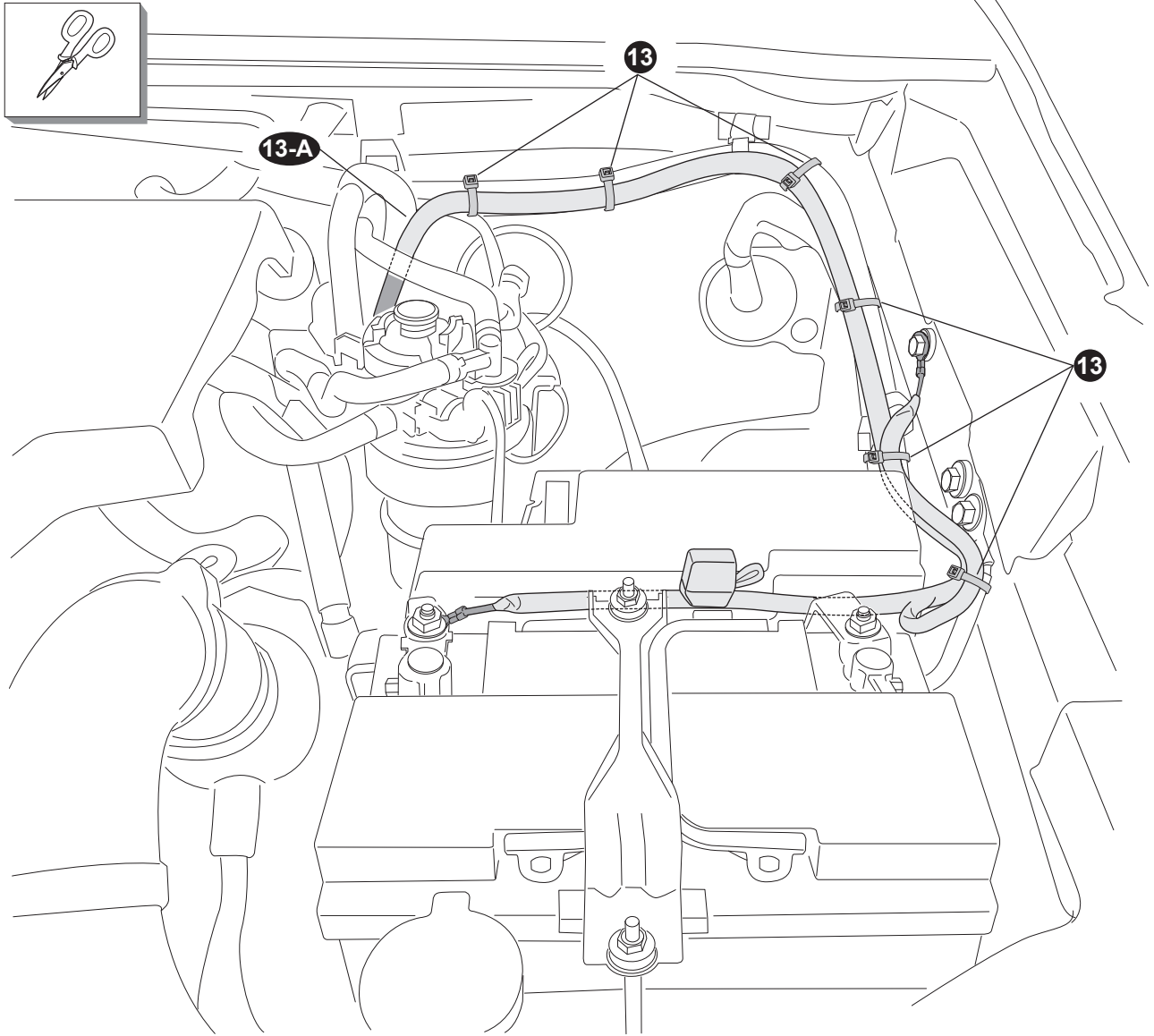
Instruction procedure

34

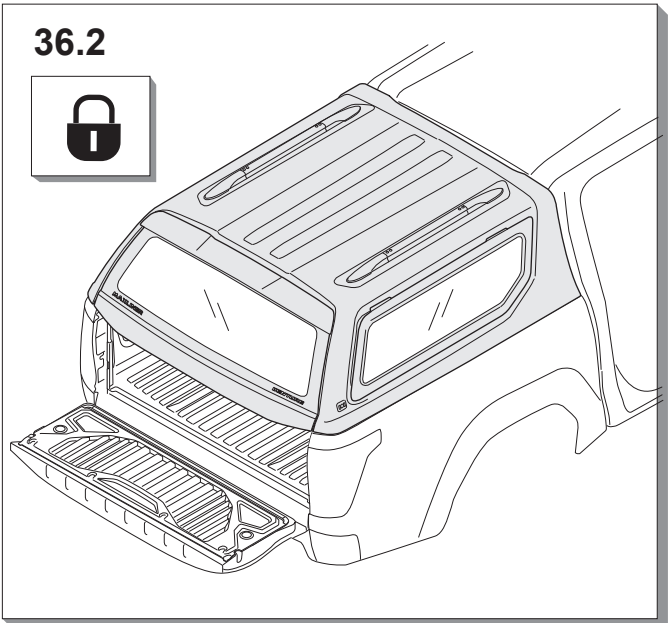
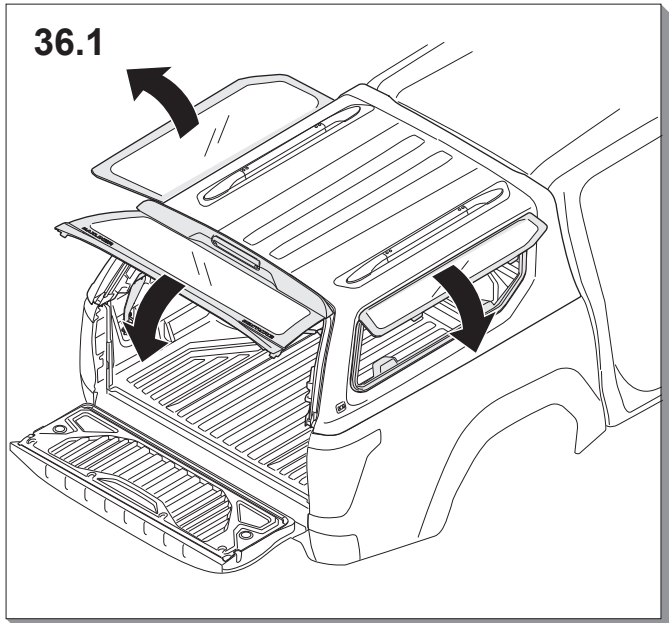


Instruction procedure

35



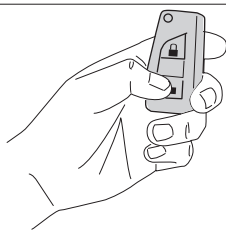
36



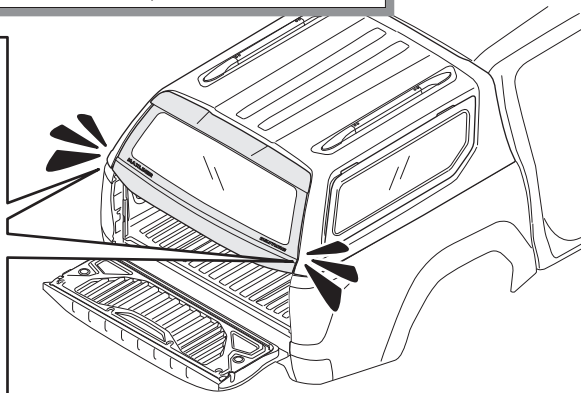
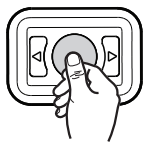
Instruction procedure

37

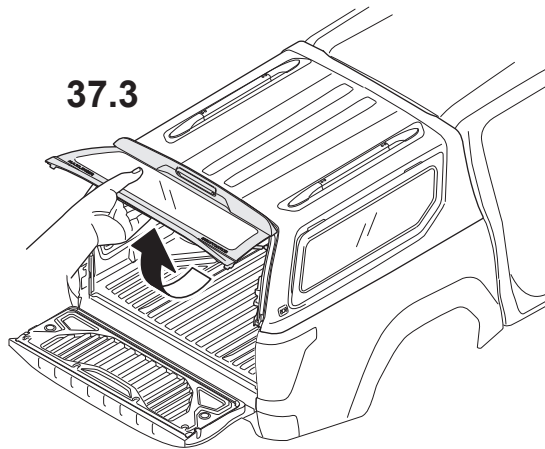
37.1



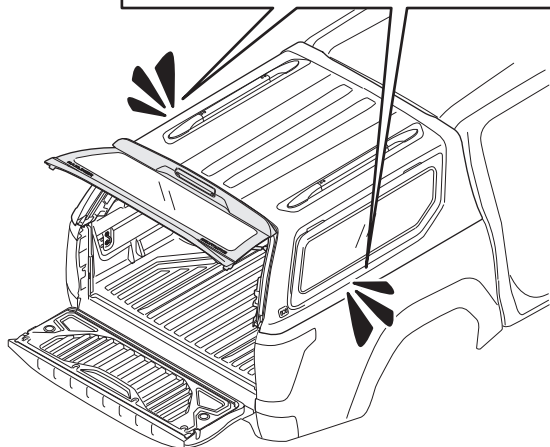
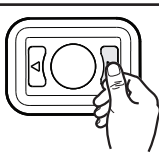
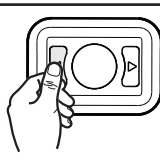
37.2



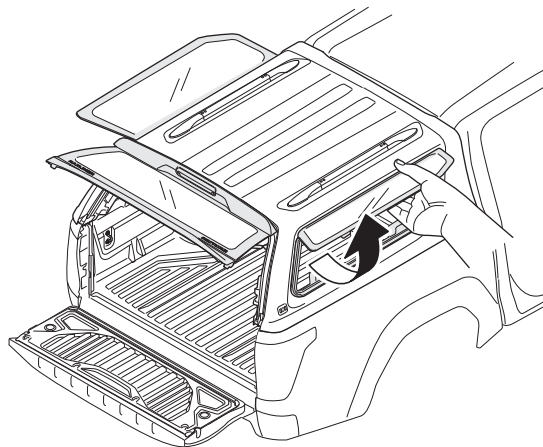
37.3



37.4

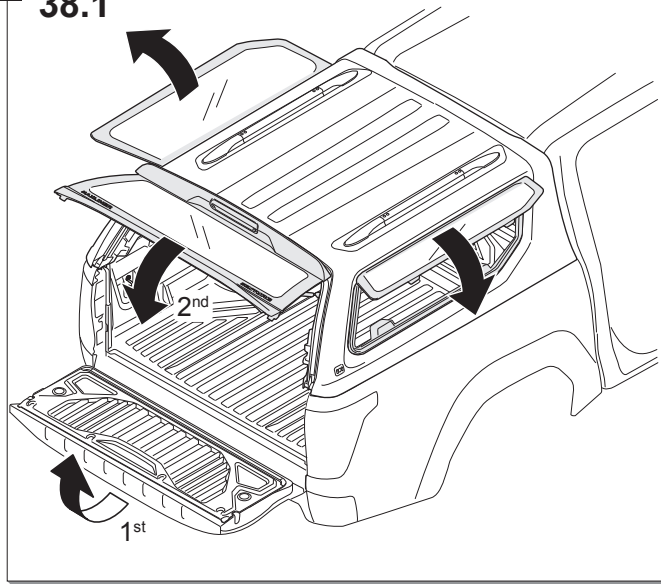


37.5

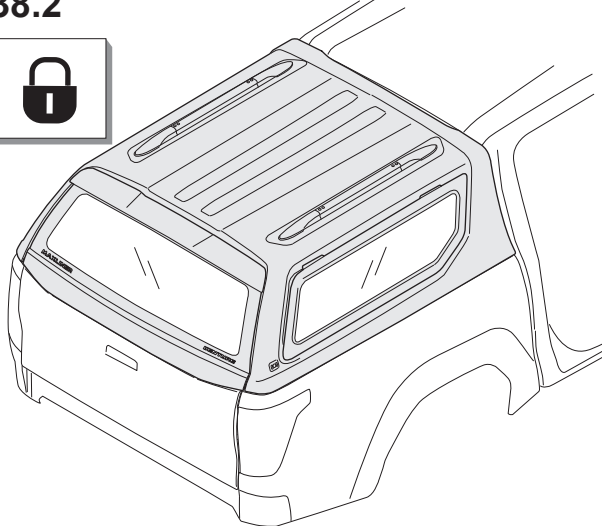


38

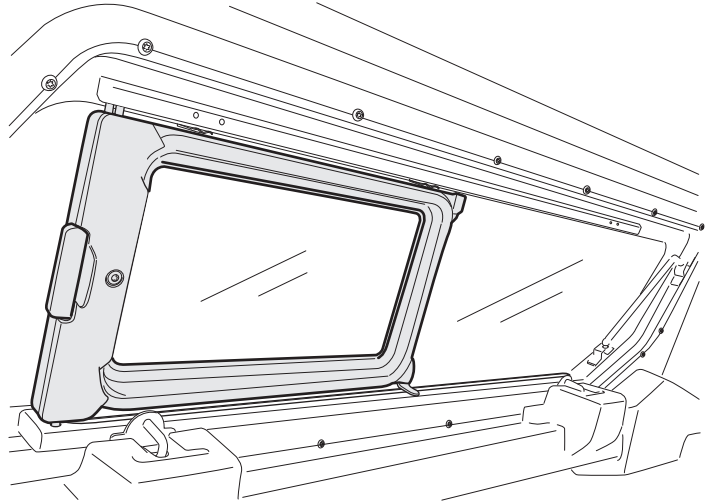
38.1



38.2

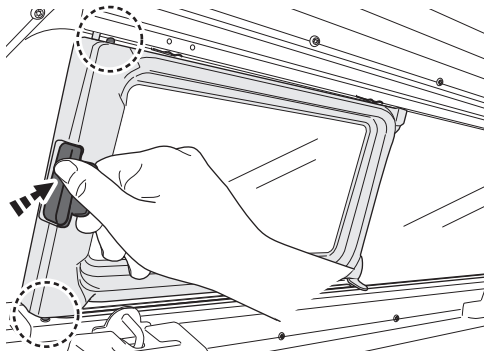
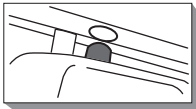


※ Slide in lift up window



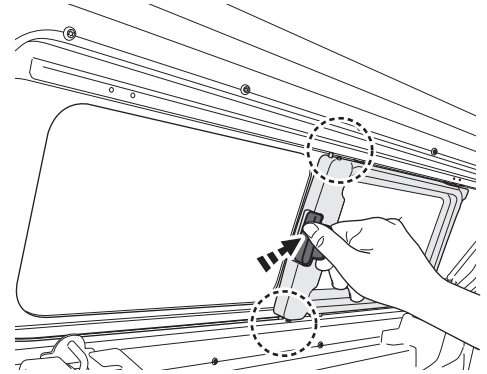
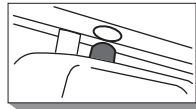
Open

1st

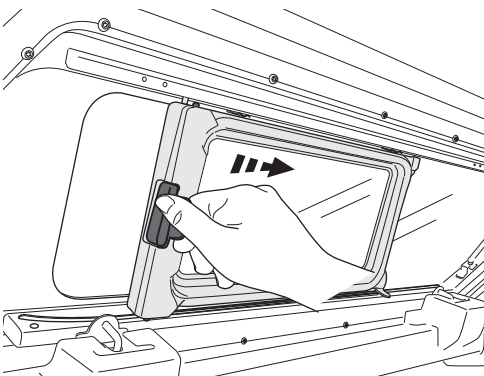


Close

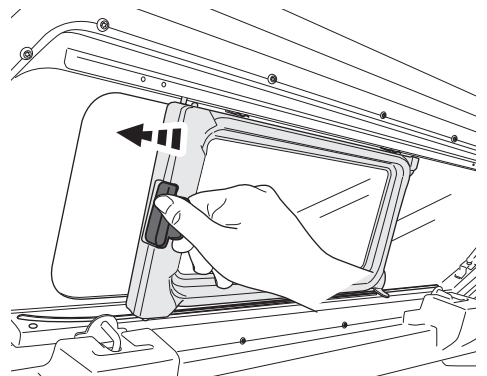
1st



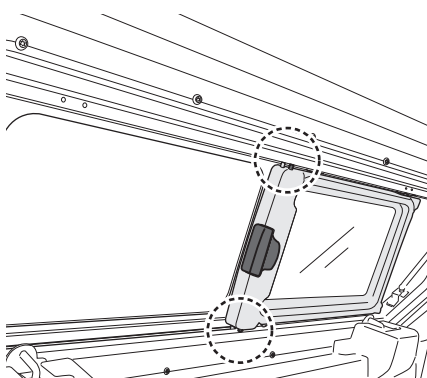
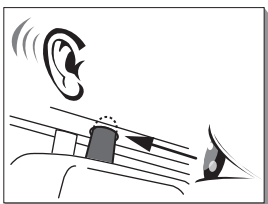
2nd



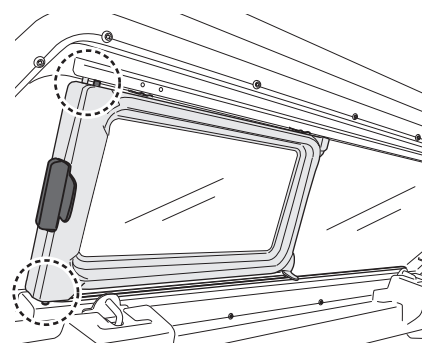
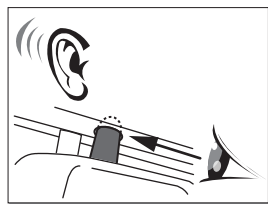
2nd



3rd



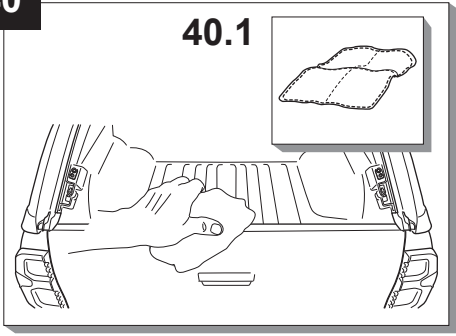
3rd



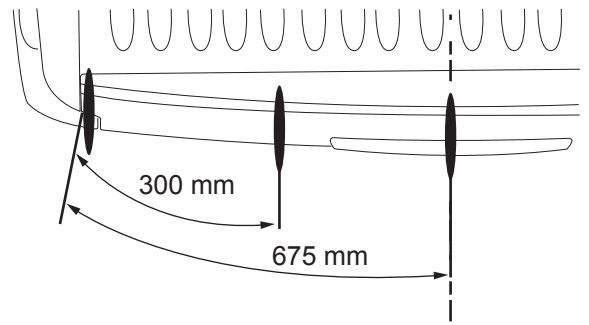
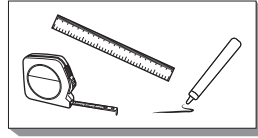
Instruction procedure

40

40.1



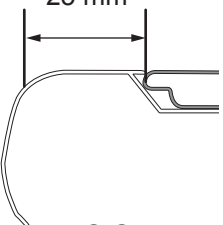
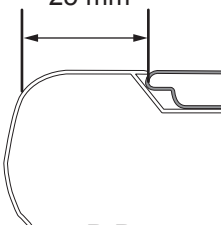
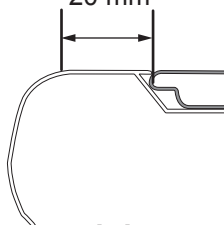
40.2



20 mm

25 mm

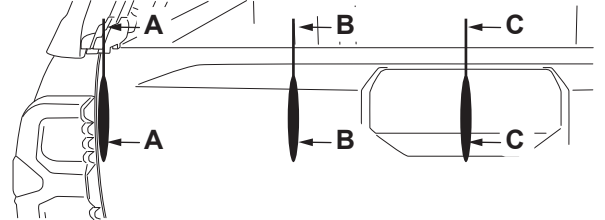
25 mm



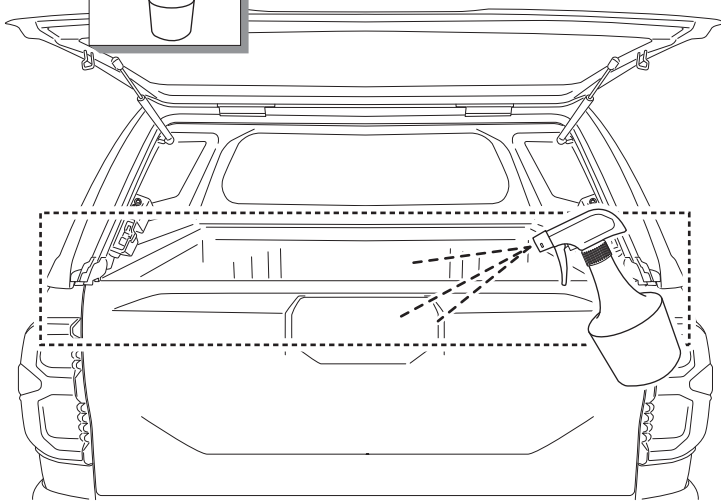
A-A

B-B

C-C

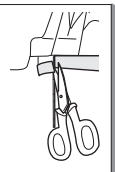


41

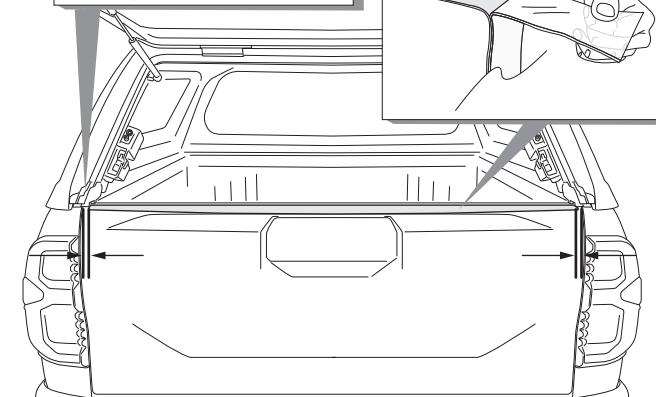
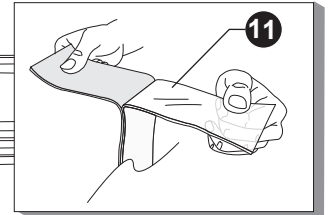


42

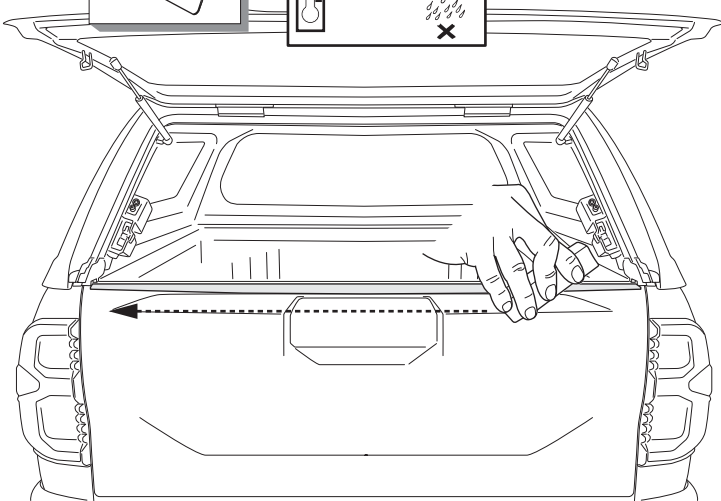
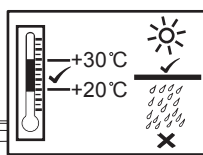
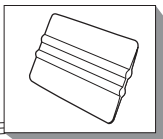
LH/RH



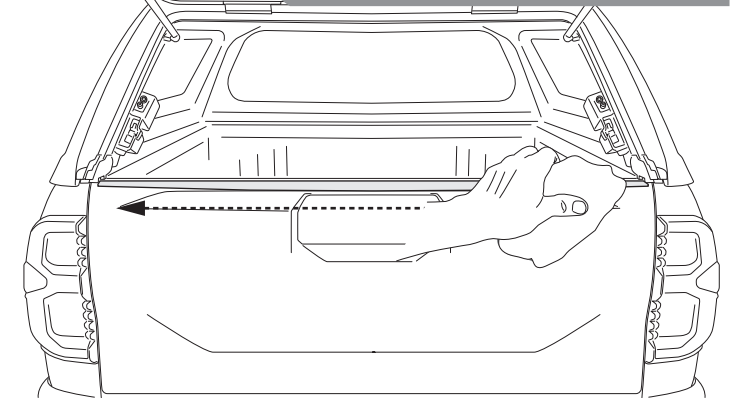
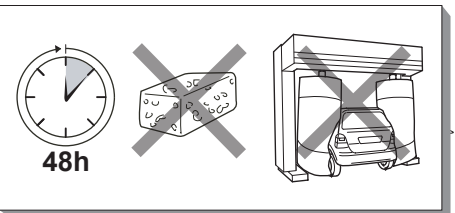
3 mm.



43

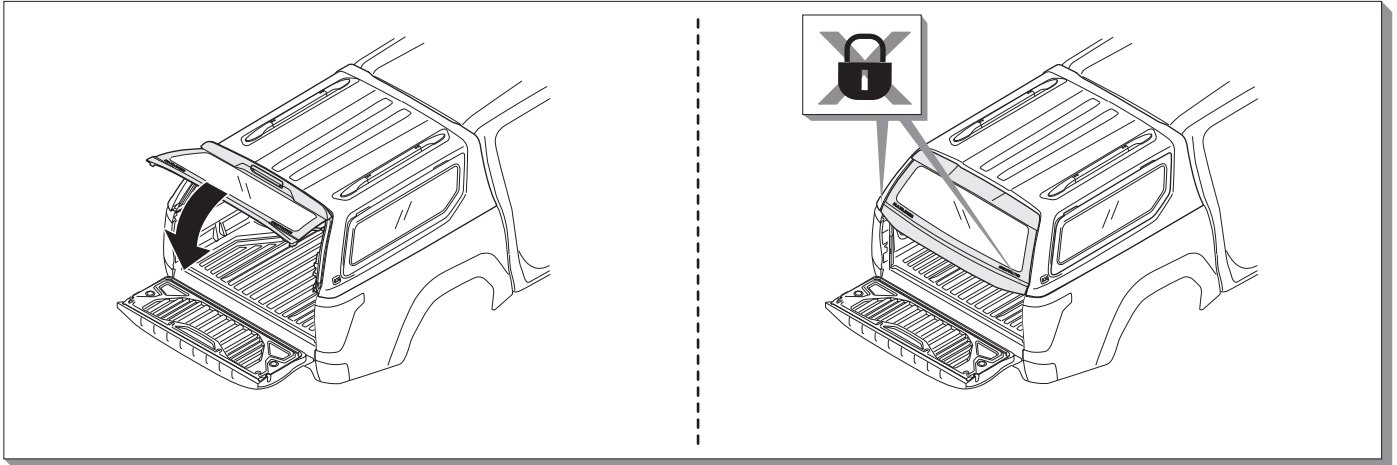


44

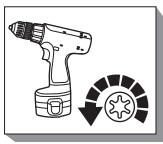


※ Adjustment

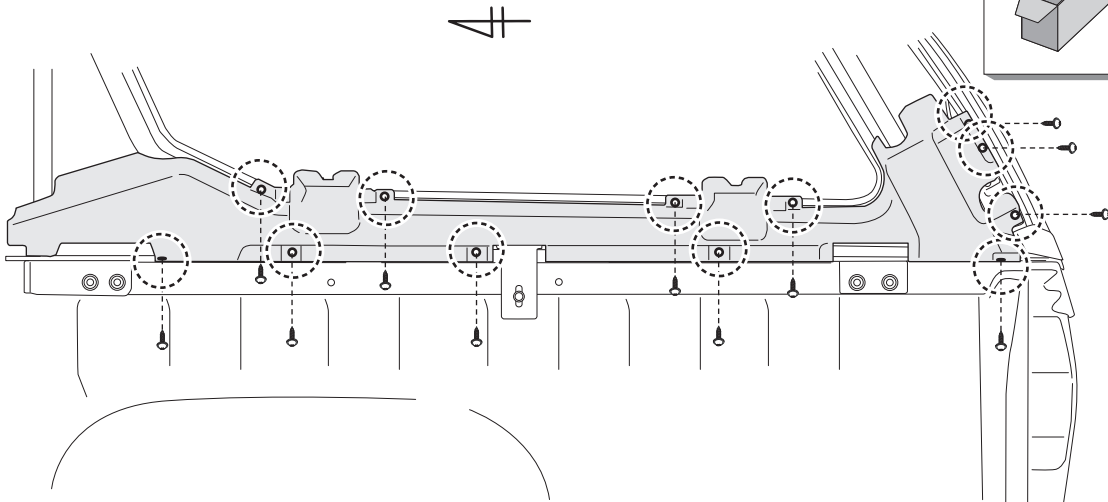
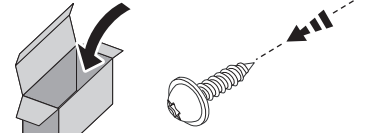
※ Latch & Striker rear



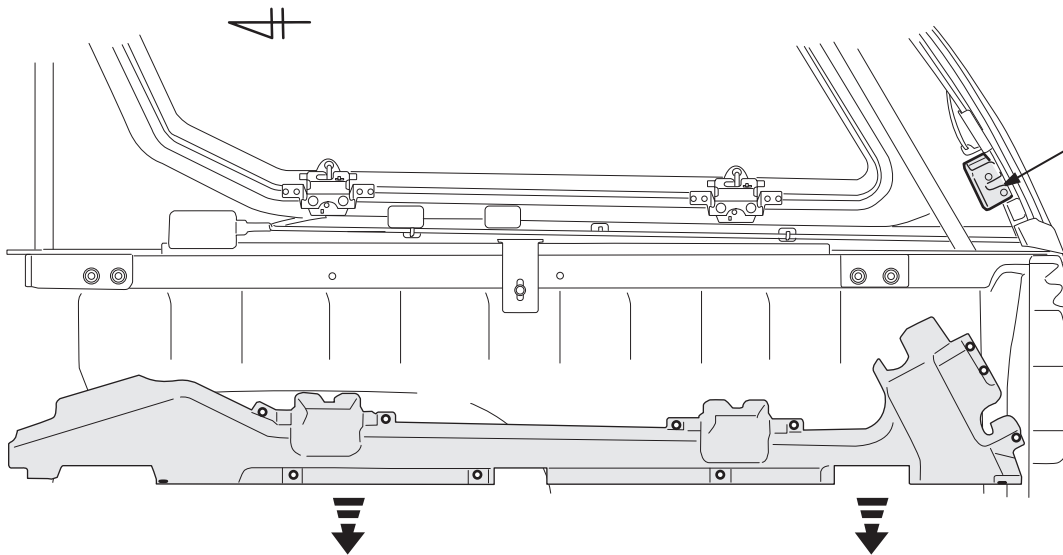
1 LH/RH



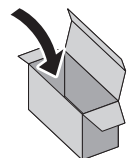
(24x)



2 LH/RH



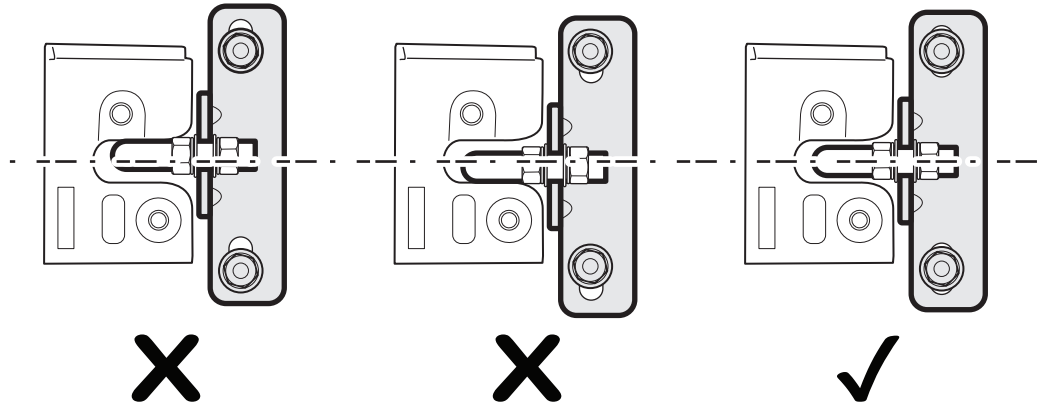
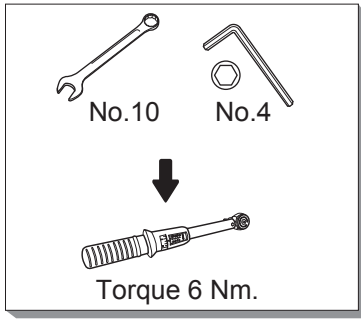
Latch & Striker rear



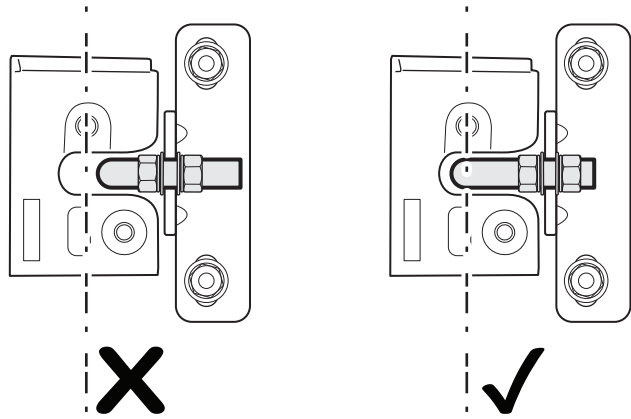
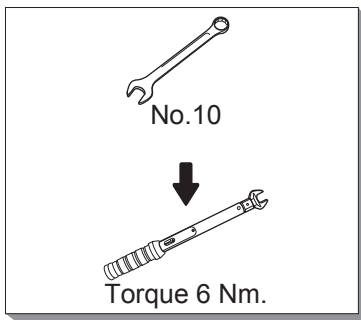
※ Latch & Striker rear

1.1

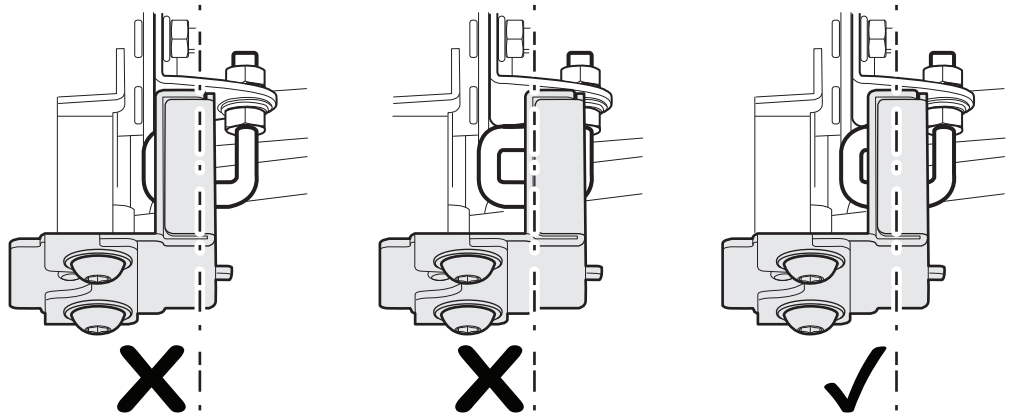
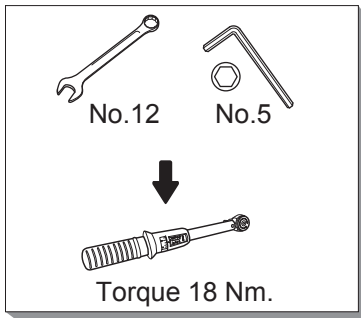
CASE 1 LH/RH



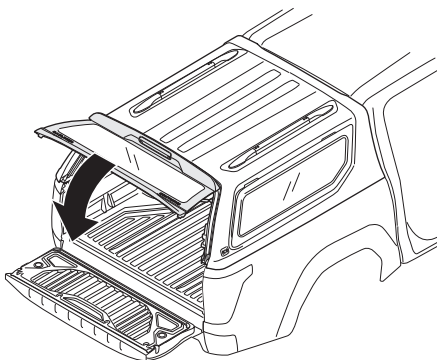
CASE 2 LH/RH



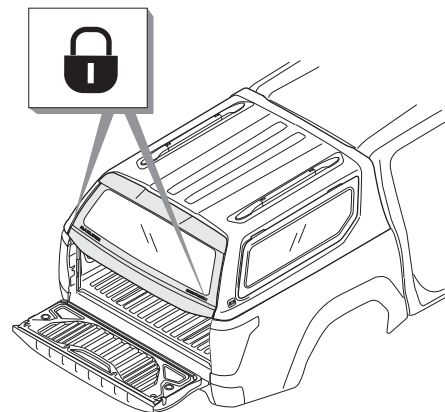
CASE 3 LH/RH



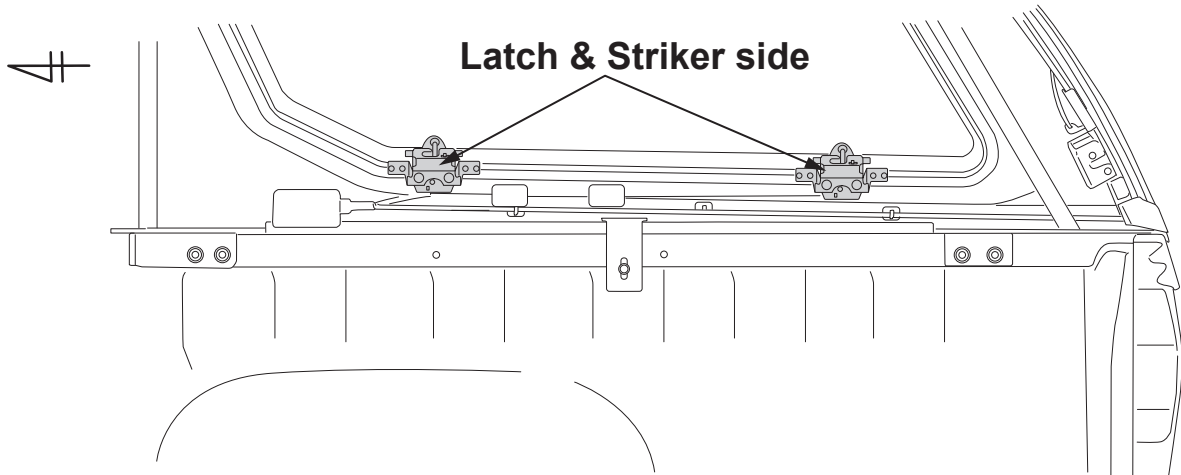
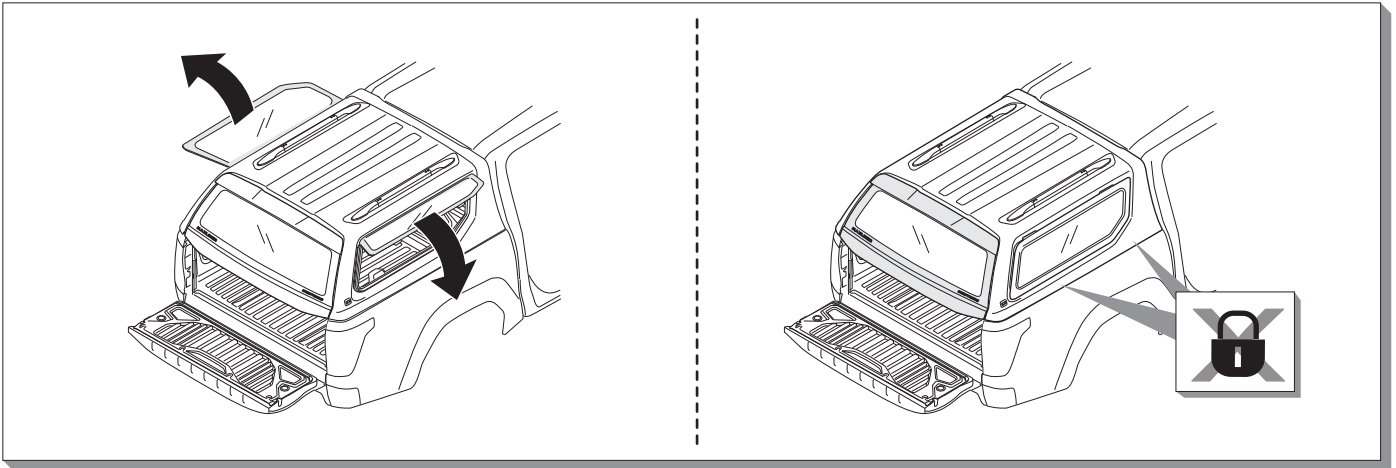
1.2



1.3

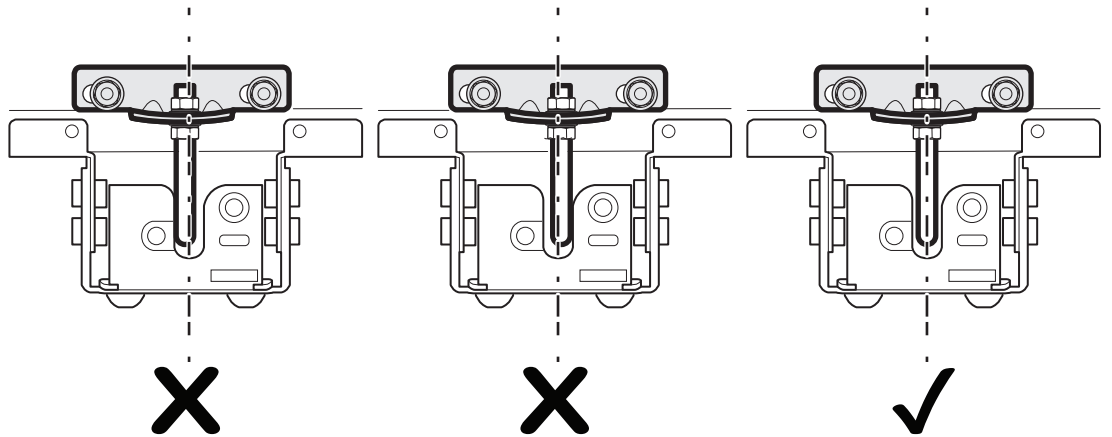
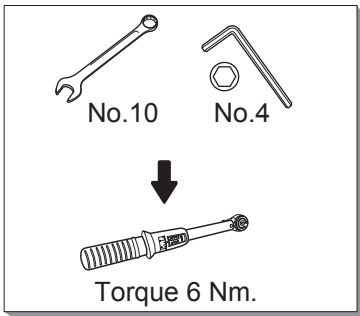


※ Latch & Striker side lift up

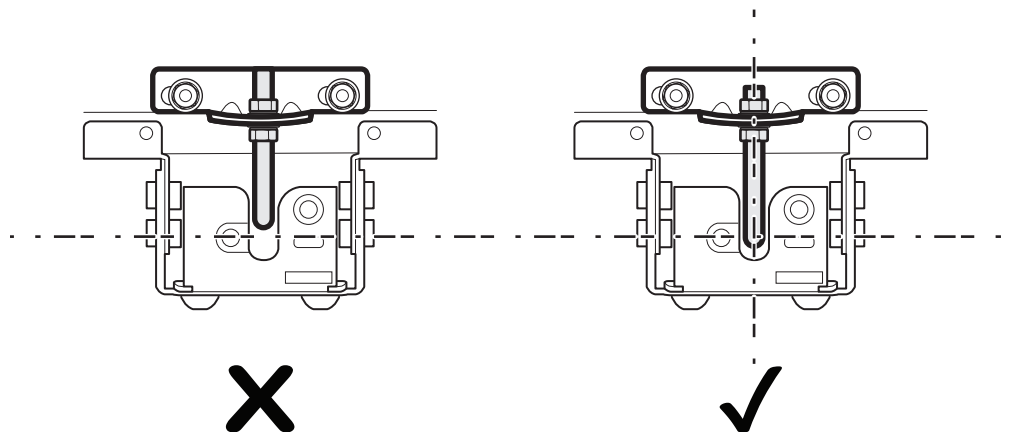
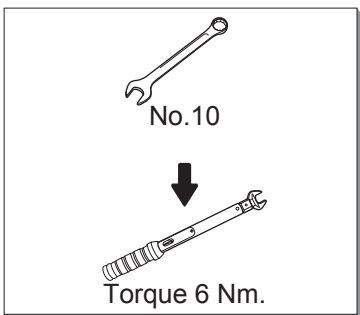


1.1

CASE 1 LH/RH

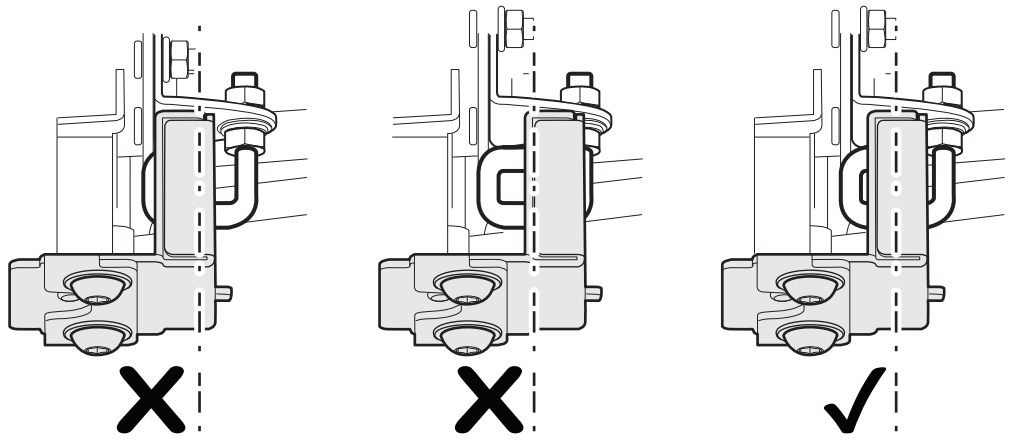
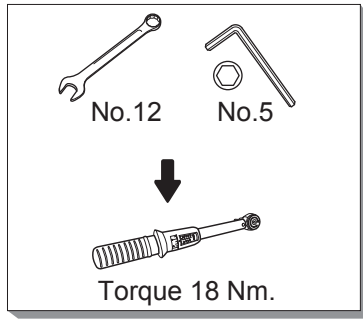


CASE 2 LH/RH

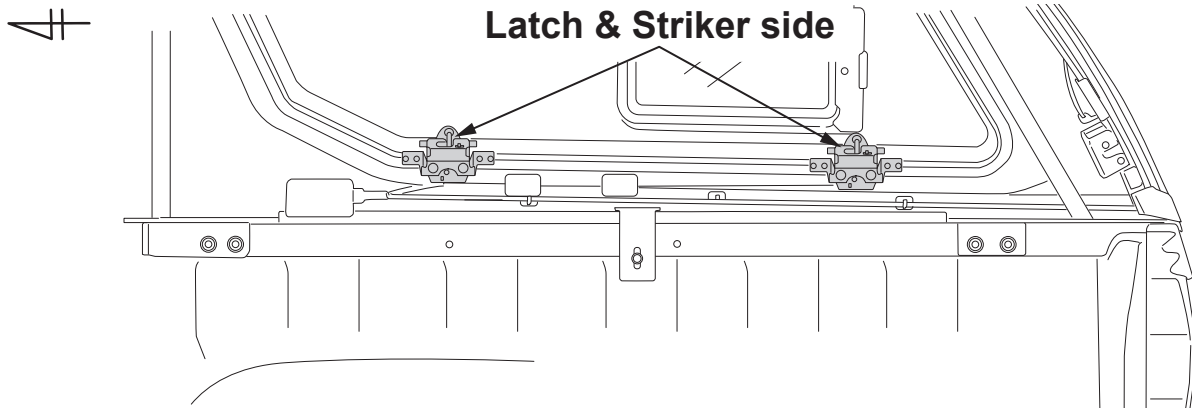


※ Latch & Striker side lift up

CASE 3 LH/RH

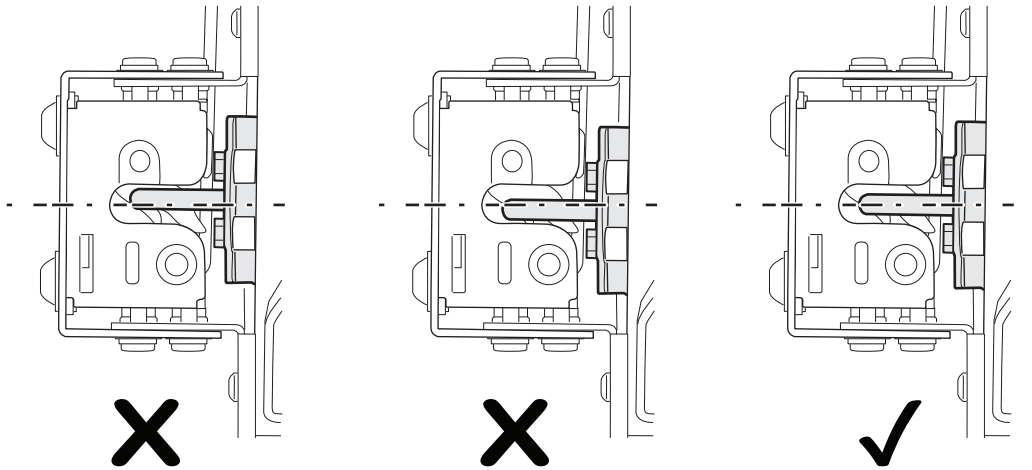
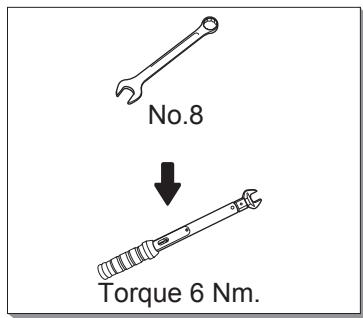


※ Latch & Striker side slide in lift up

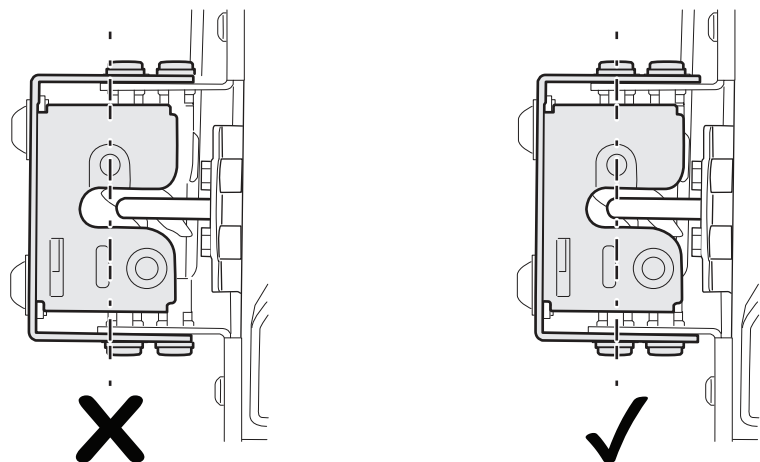
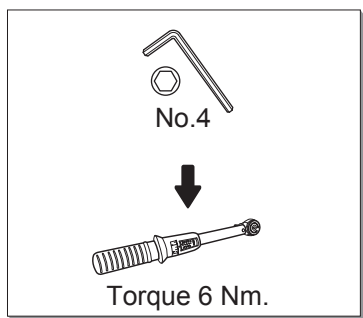


1.1

CASE 1 LH/RH

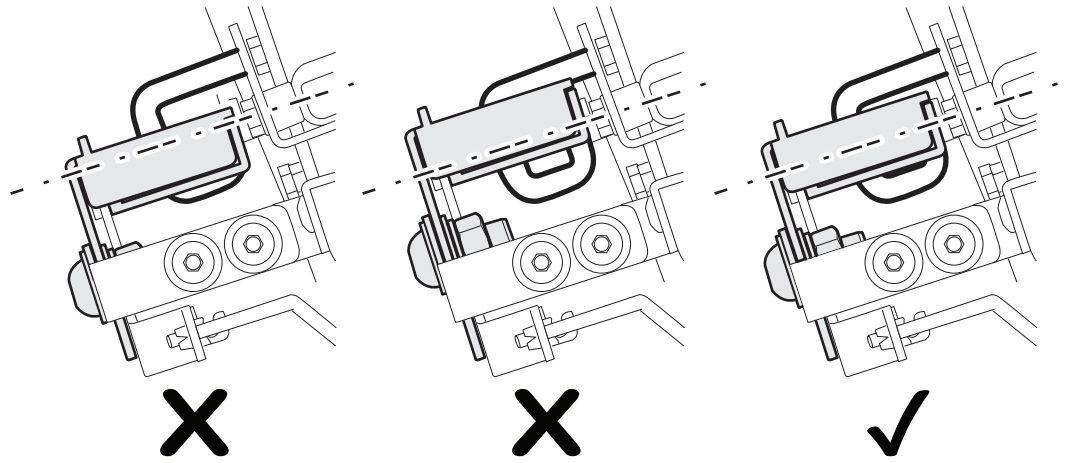
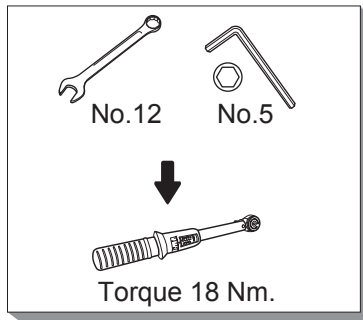


CASE 2 LH/RH

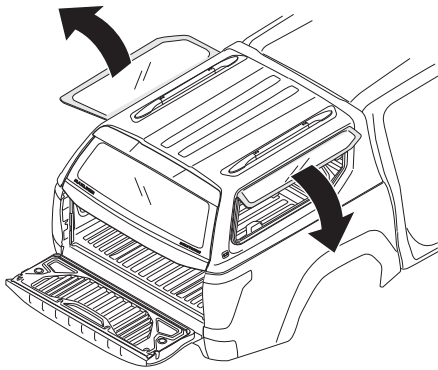


※ Latch & Striker side slide in lift up

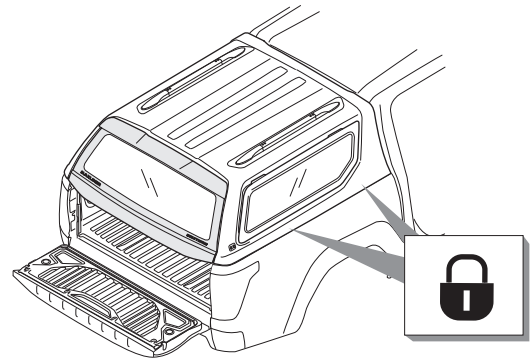
CASE 3 LH/RH



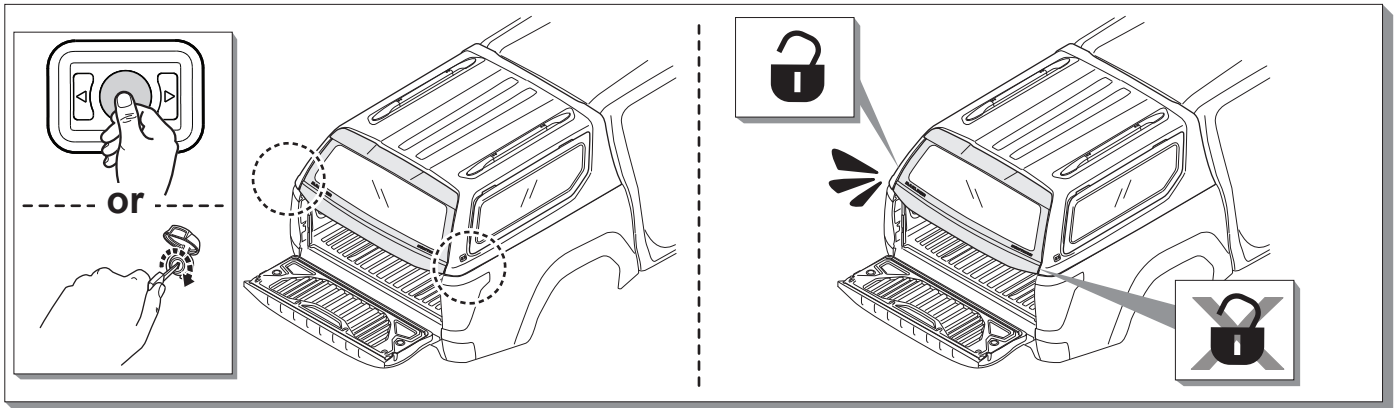
1.2



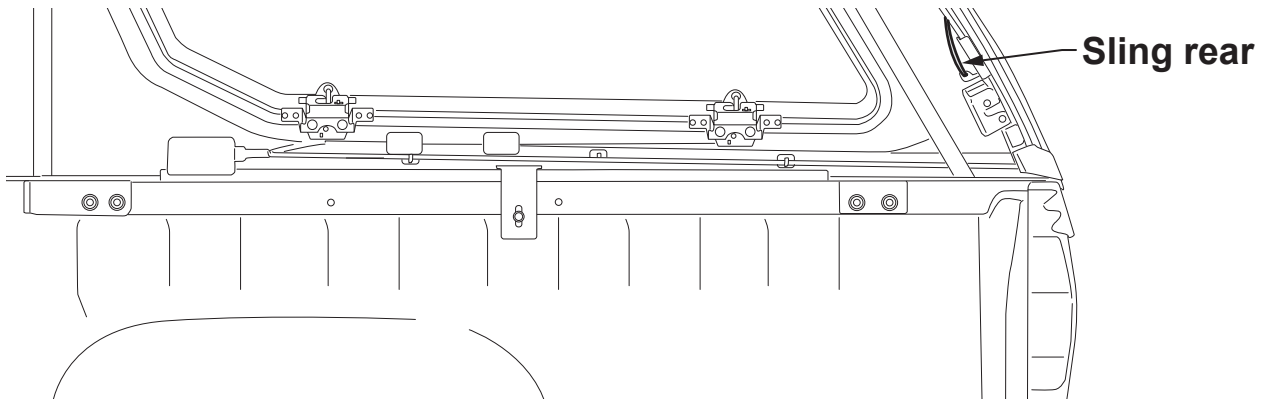
1.3



※ Sling rear



4

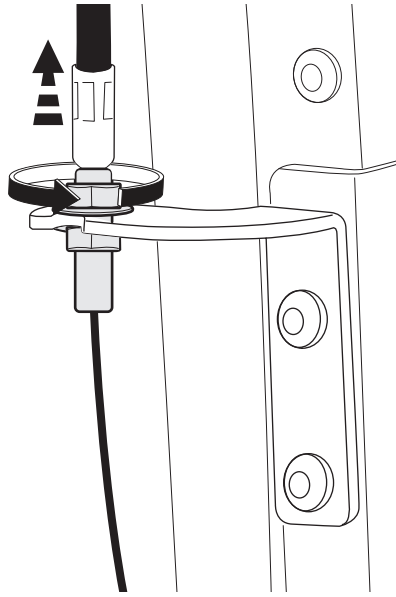


※ Sling rear

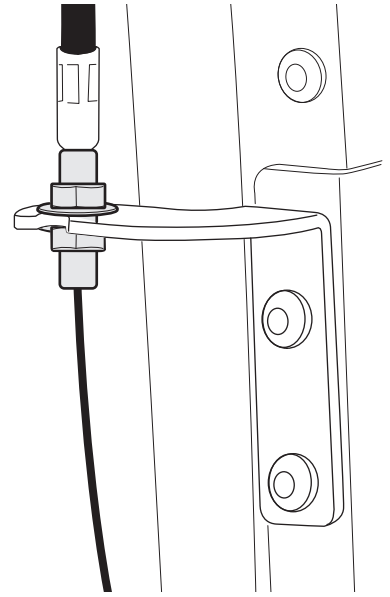
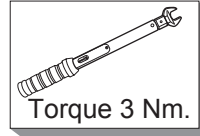
1.1



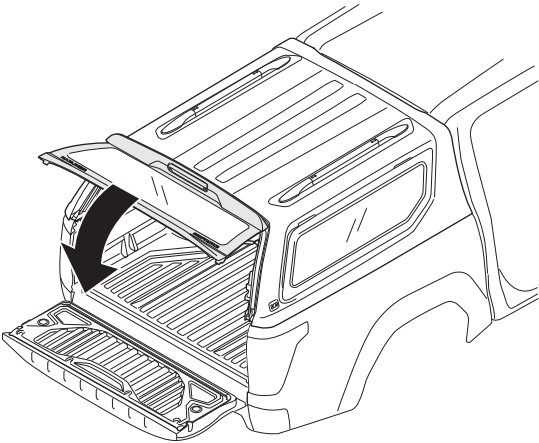
1x-3x



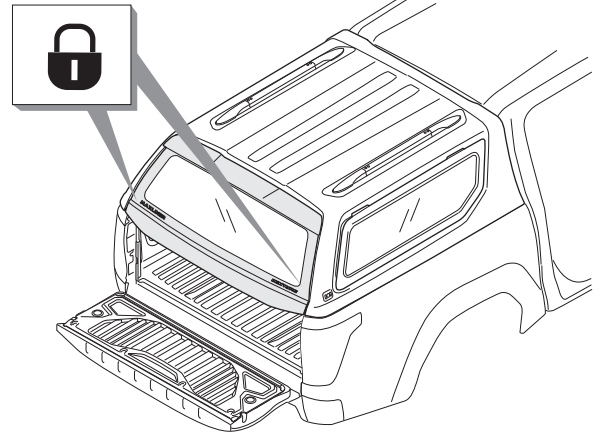
1.2



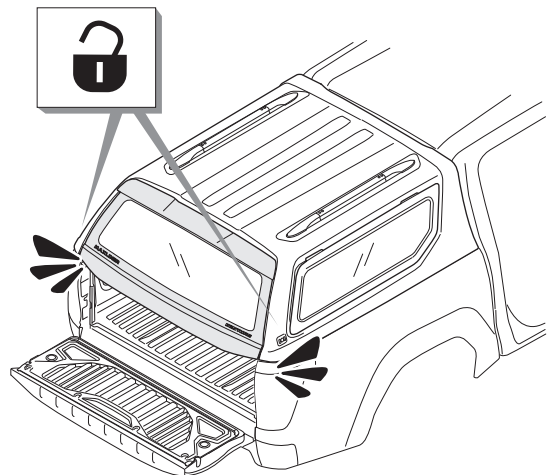
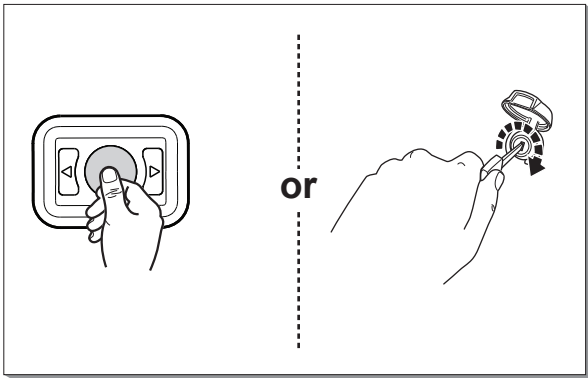
1.3



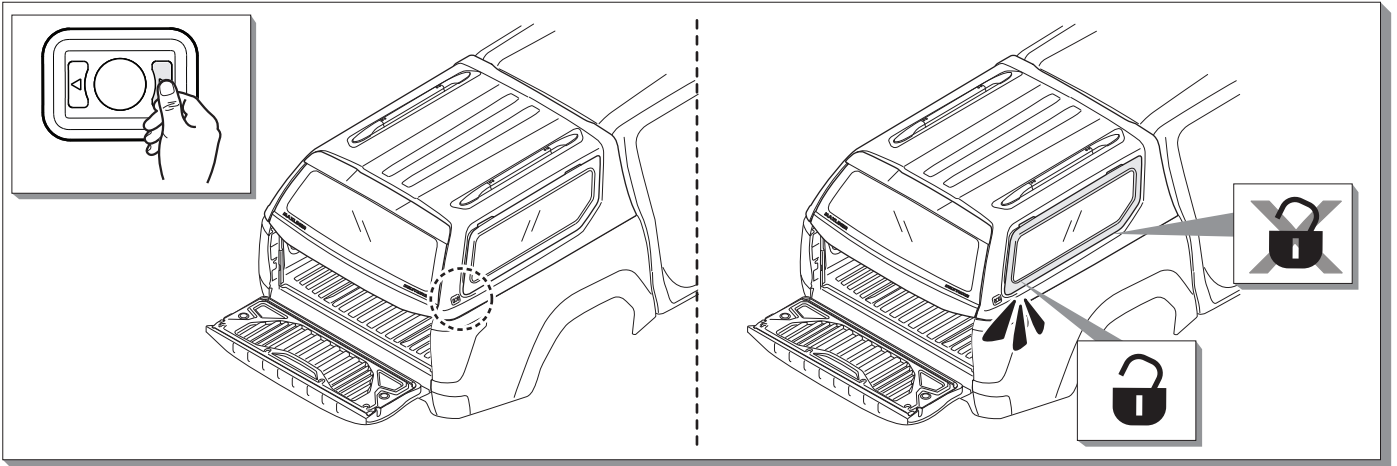
1.4



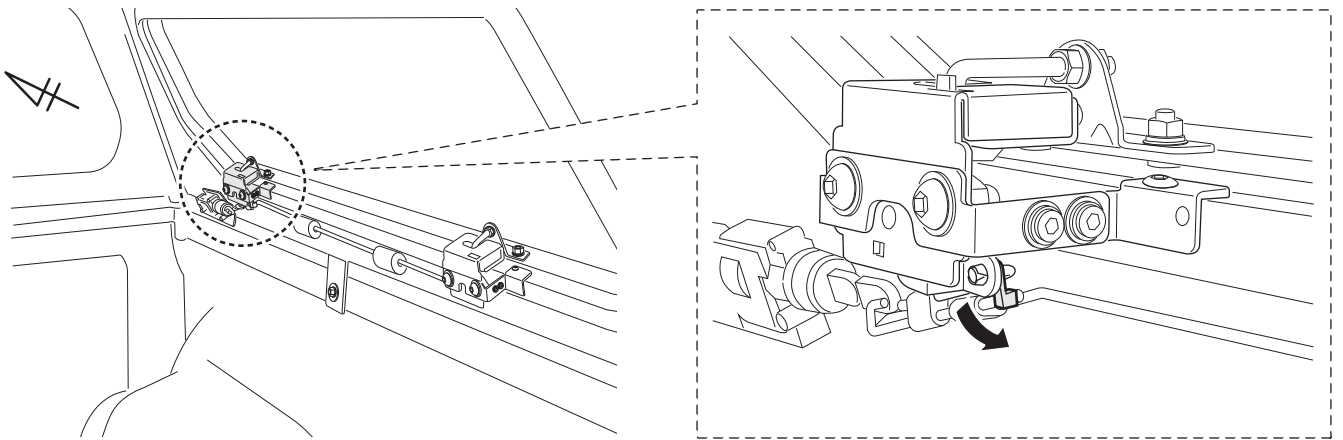
1.5



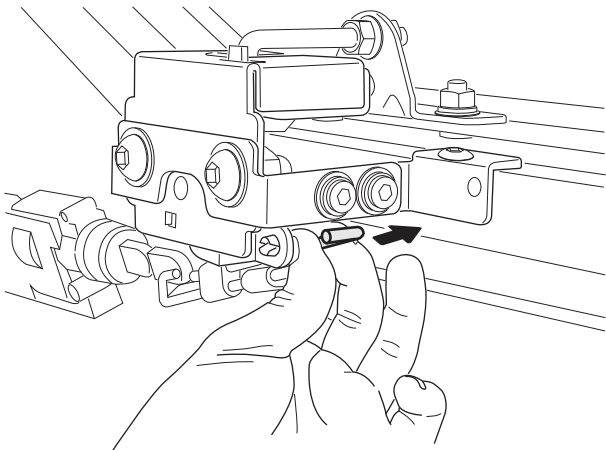
※ Side rod



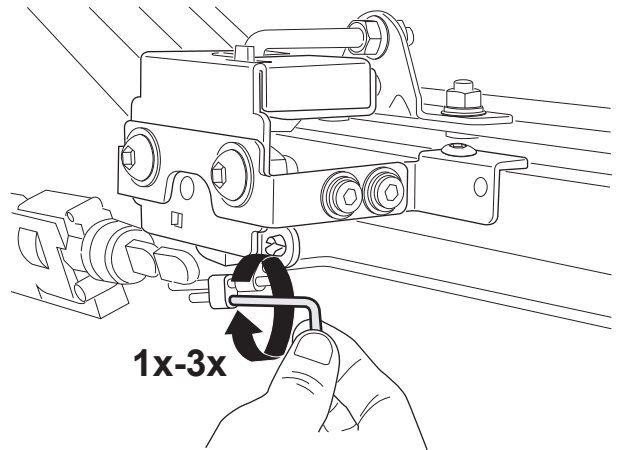
1.1



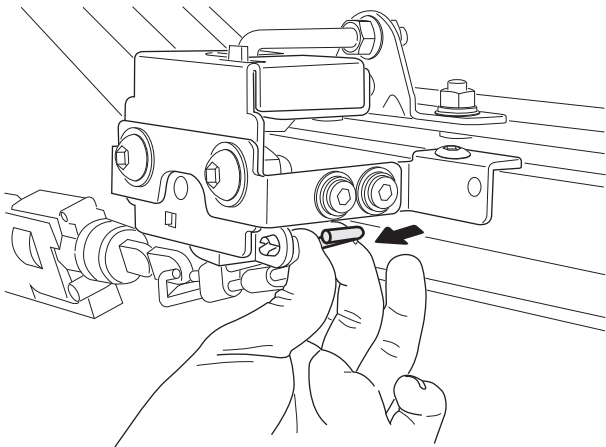
1.2



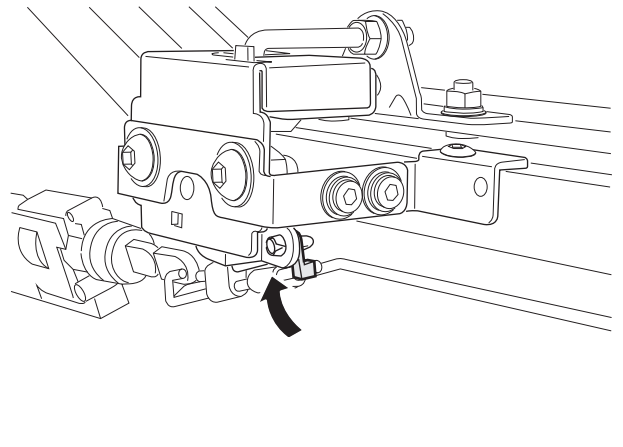
1.3



1.4

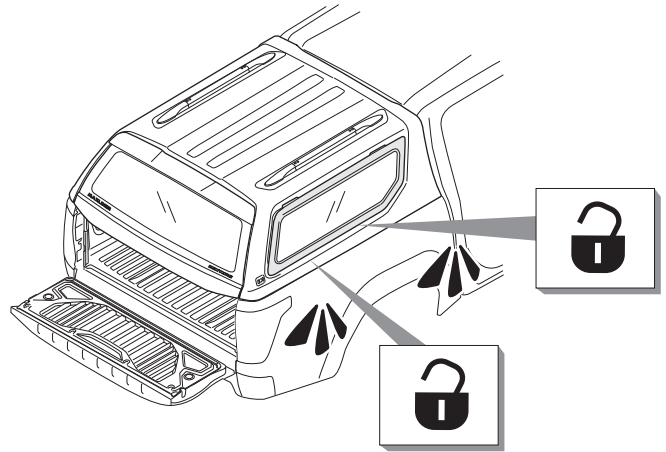
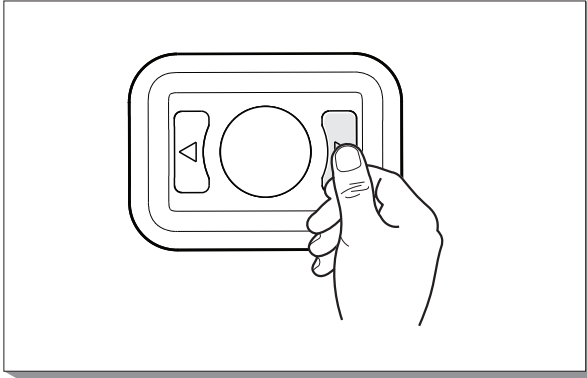


1.5

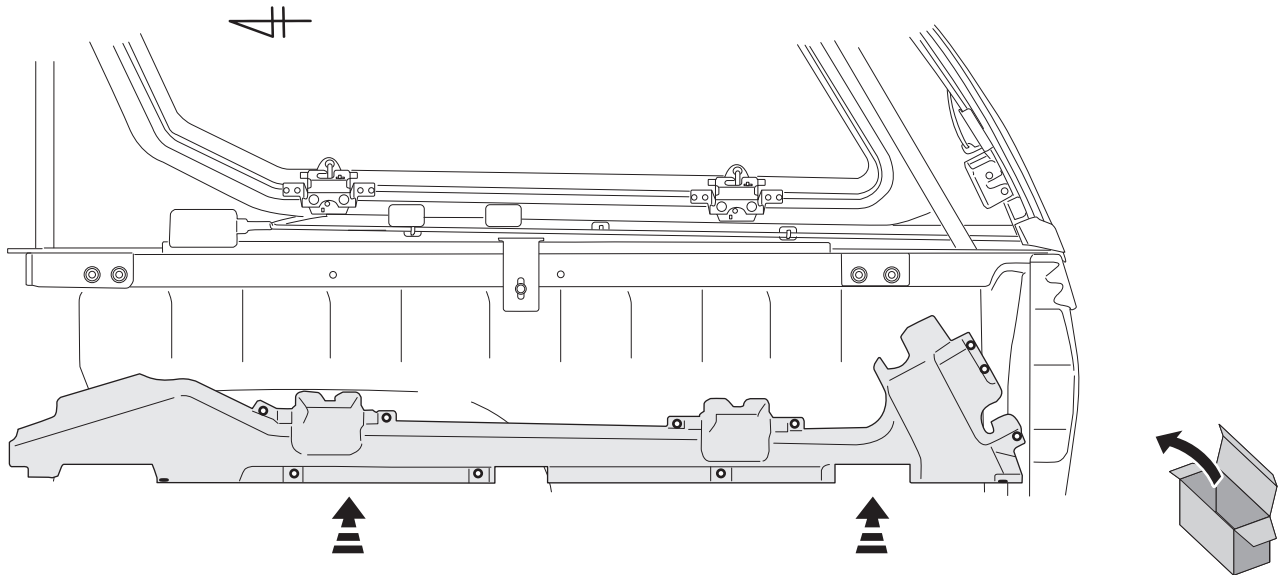


※ Side rod

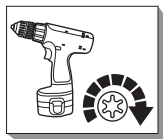
1.6



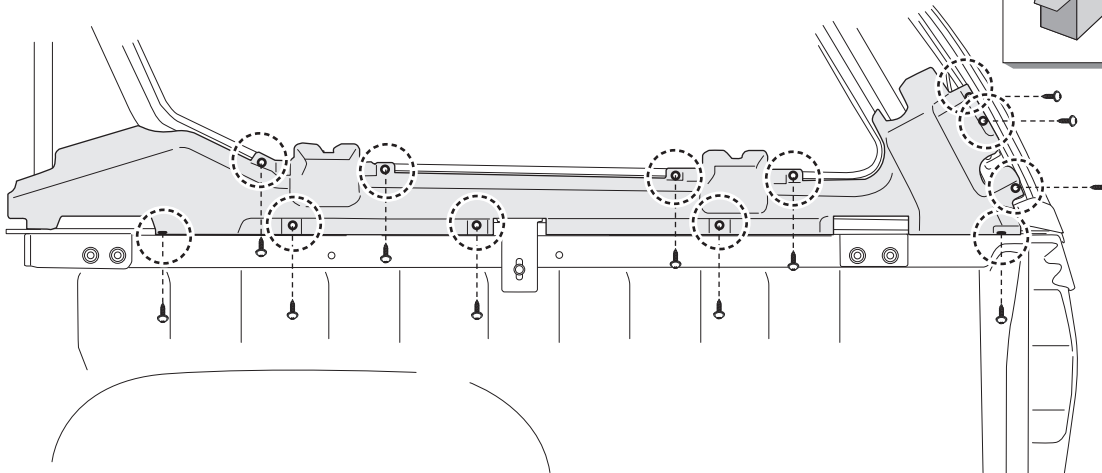
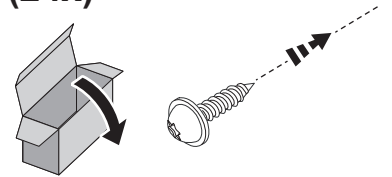
3 LH/RH



4 LH/RH

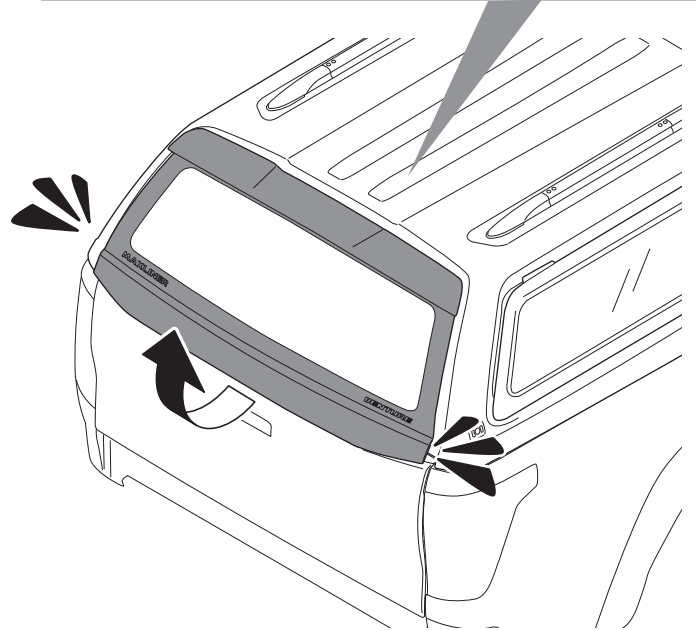
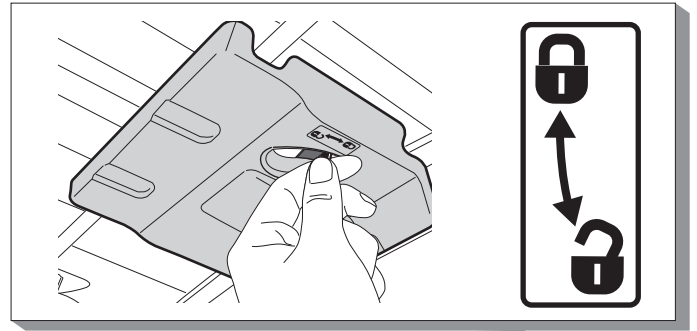


(24x)

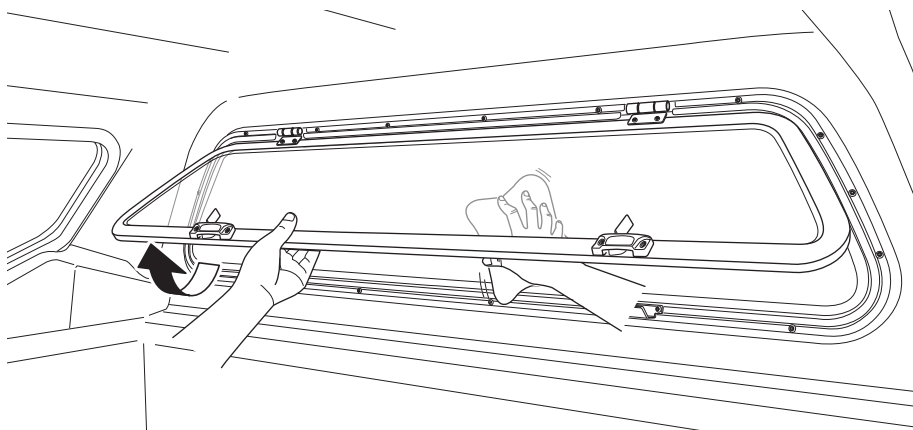
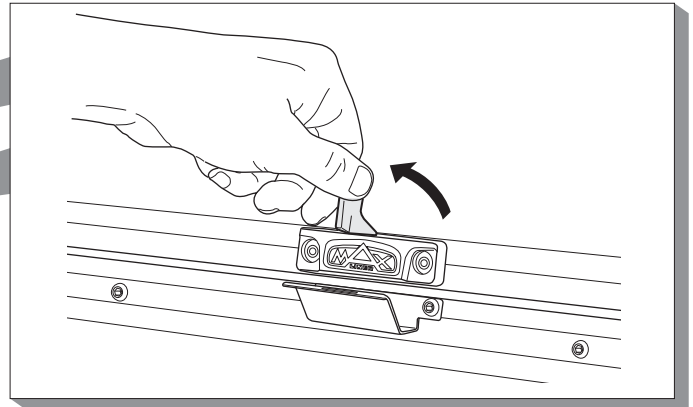
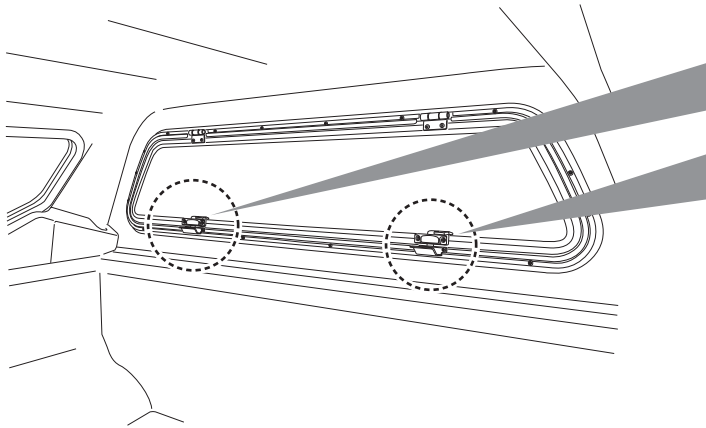


※ Release inside

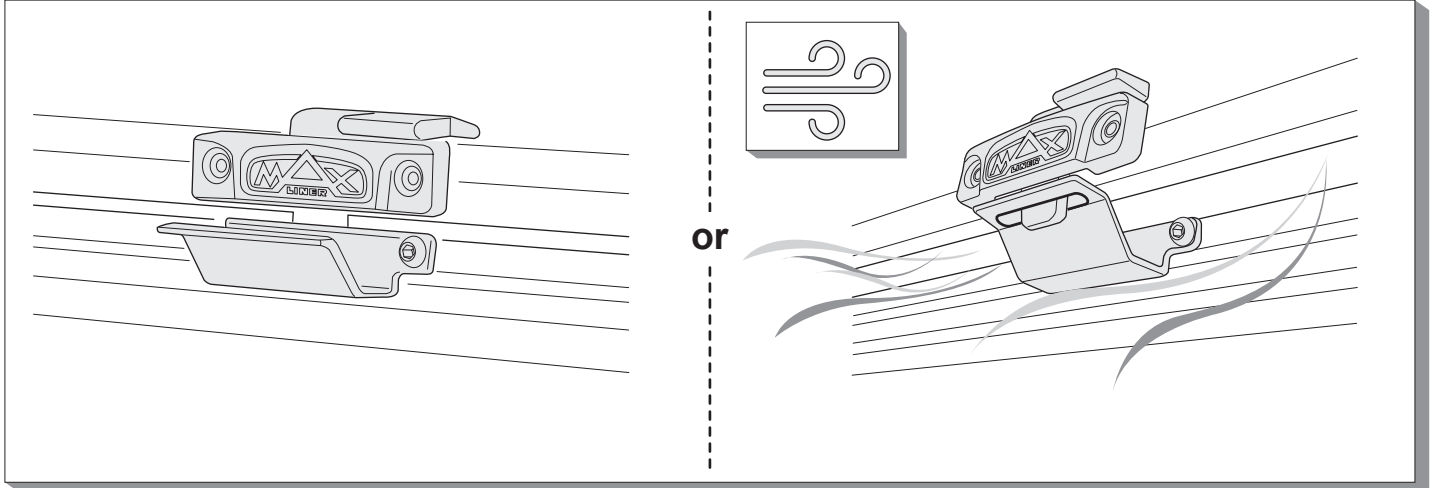
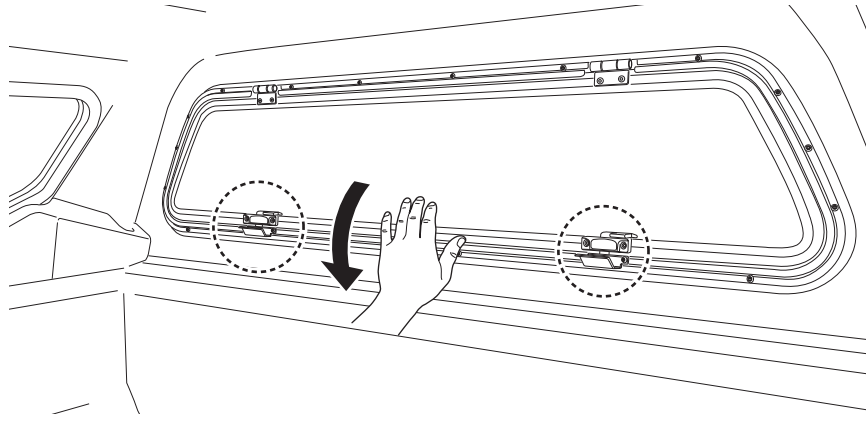
Help me!



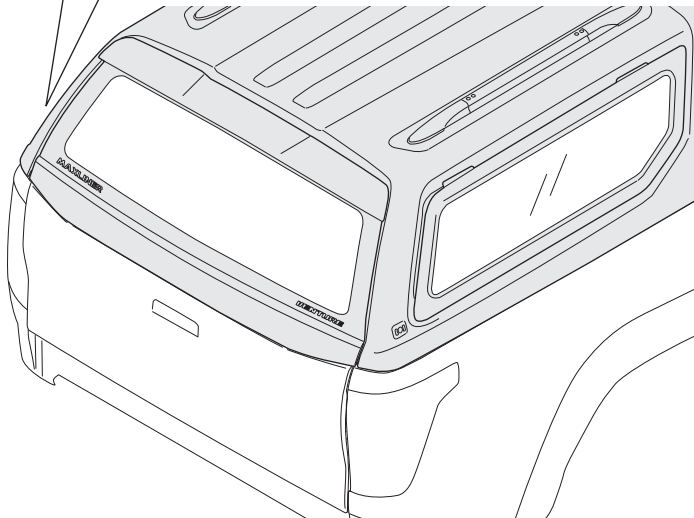
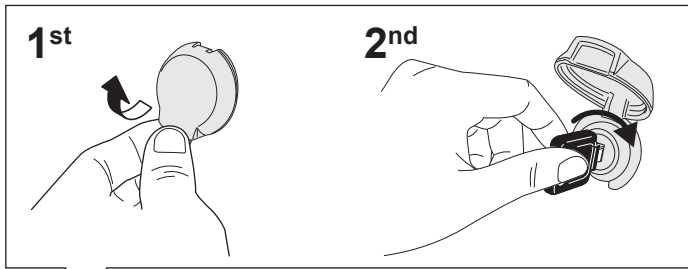
※ Front window guidelines



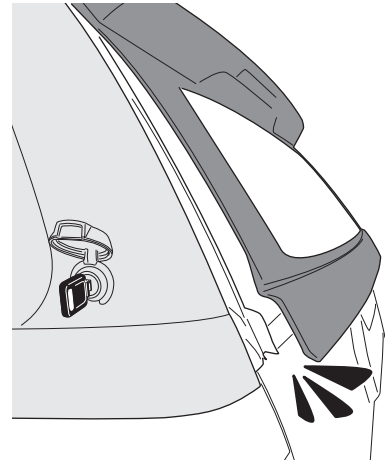
※ Front window guidelines



LOW 



3rd



4th

