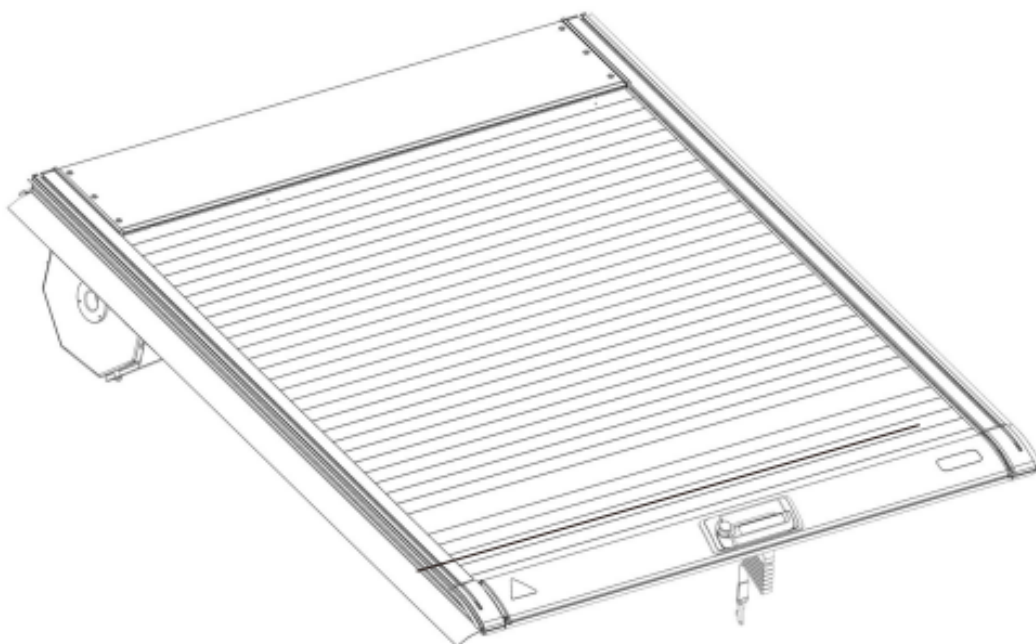


FITTING INSTRUCTIONS FIT1366

PLEASE READ INSTRUCTIONS COMPLETELY BEFORE INSTALLATION

ROLLING LID – MANUAL PX RANGER WITH WILDTRAK SAILPLANE

RL101M-F



1. Matters need attention:

1. Please install the parts in a safe environment, and wear the corresponding safety protective equipment;
2. Please read this manual carefully before installing the product, pay attention to protect the surface of the vehicle, and avoid scratches during the installation process;
3. Check whether the parts in the package are complete before installation;
4. Please regularly check whether all the parts connected to the car are loose to ensure the safety of use;
5. Use traces between the slide track and the rolling curtain are normal test traces;
6. this curtain has no load-bearing function, do not place the heavy object above the curtain;
7. The drainage pipe passes through the drainage hole of the rear tail box;
8. Before folding up the curtain, make sure to ensure that the surface is clean to avoid foreign bodies involved in the box.

2. kindly reminder:

1. When the curtain is opened or closed, pay attention to check whether there is foreign body, avoid the human body contact with the opening and closing area, and avoid pinching;
2. When the box body and the side rod slide rail are installed, the rolling shutter has the automatic return function. Please pay attention to the stability to prevent clamping;
3. Please do not close the pet or person in the closed rear tail box, which may cause suffocation;
4. The number of people installing the curtain is recommended to be 2, and the installation time is about 45 -60 minutes.



























AUTOMOTIVE ACCESSORY
MANUFACTURE & DISTRIBUTION









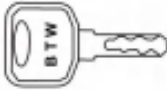








AIRPLEX INDUSTRIES LTD
21 Saleyards Road, Otahuhu, Auckland 1062, New Zealand
PO Box 11286, Ellerslie, Auckland 1542 New Zealand
PH +64 (9) 276-9826 Fax +64 (9) 276-9836
info@airplex.co.nz www.airplex.co.nz

Ranger Wildtrak

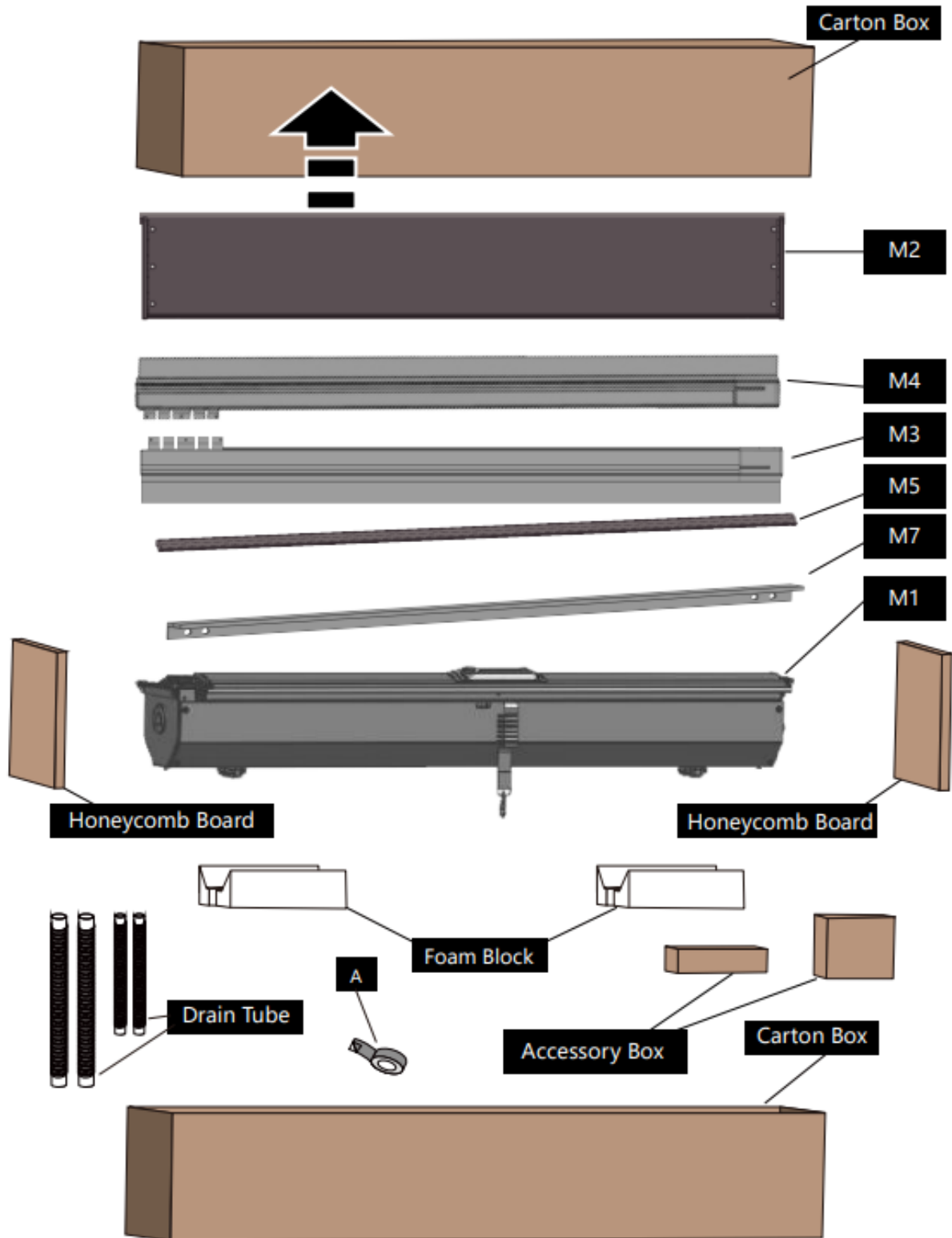
Table of Contents

1. Product Introduction.....	3
1.1 Bill of Material.....	3
1.2 Product Component.....	5
2. Installation.....	6
2.1 Preparation.....	6
2.2 Assembly.....	8
2.3 Assemble the bracket.....	13
2.4 Product loading.....	16
2.5 Adjustment/inspection (Gage M5 or M6).....	26
3. Product Introduction.....	27
3.1 Manual Lock Introduction.....	27
3.2 Benefits.....	27
3.3 Manual lock operation.....	28
3.4 Function Introduction.....	28
3.5 LED Light.....	29
4. Maintenance.....	30
4.1 Daily Maintenance.....	30
4.2 Common Problem Solution.....	30
5. Helpful Maintenance Hints.....	31

1. Product Introduction			
1.1 Bill of Material			
M1		1X	
			M2
			
			1X
M3		1X	
			M4
			
			1X
Adjust the accessories M5/M6 according to the actual situation			
M5		1X	
			M6
			
			L1+R1
M7			1X
Bill of Material-Canister(Varies from different car models, but installation is the same)			
A		1X	
B		4X	
C		10X	
D		2X	
E		2X	
F		2X	
Bill of Material-Brackets			
G		4X	
H		4X	
I		L1+R1	
J		4X	
K		6X	
L		6X	
M		2X	
N		2X	
O		6X	

Bill of Material-Tools			
P  S=5  1X	Q  S=5  +  1X	R  S=8/10 1X	
Maintenance		Spare Parts	
Sealant  1X	Lubricant  1X	 2X	
Other Assisive tools (Provided by Customer)			
 Φ28 1X	 Φ20 1X		
			

1.2 Product Component

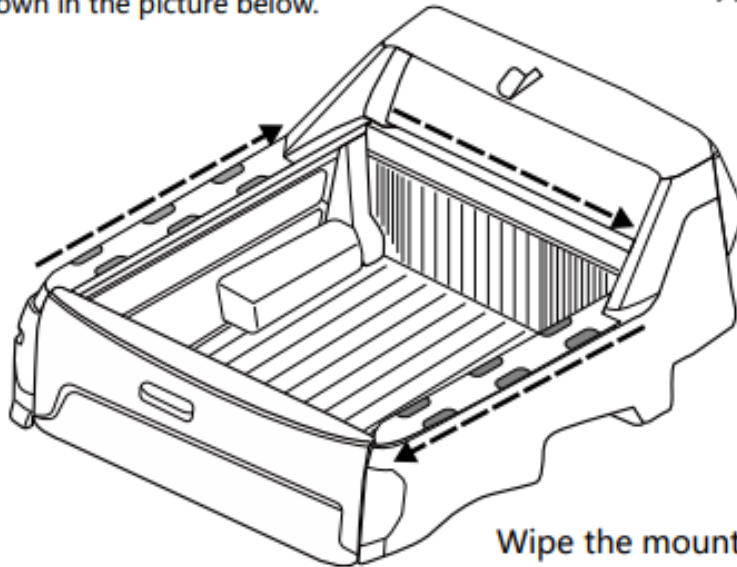


2. Installation

2.1 Preparation

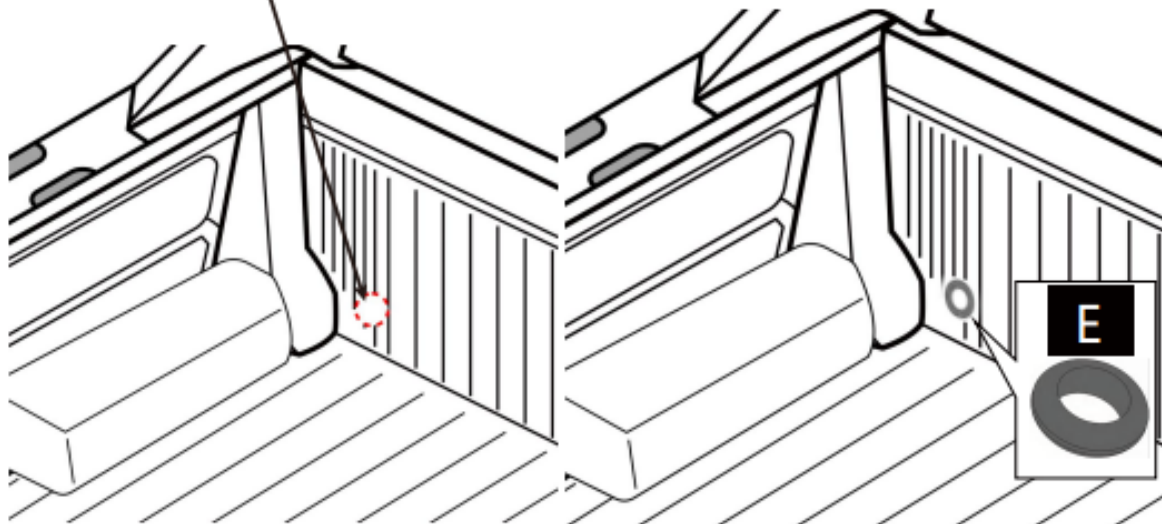
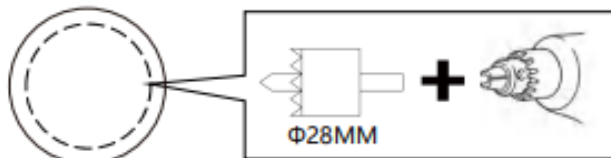
1

Clean Up the mess on the train, as shown in the picture below.

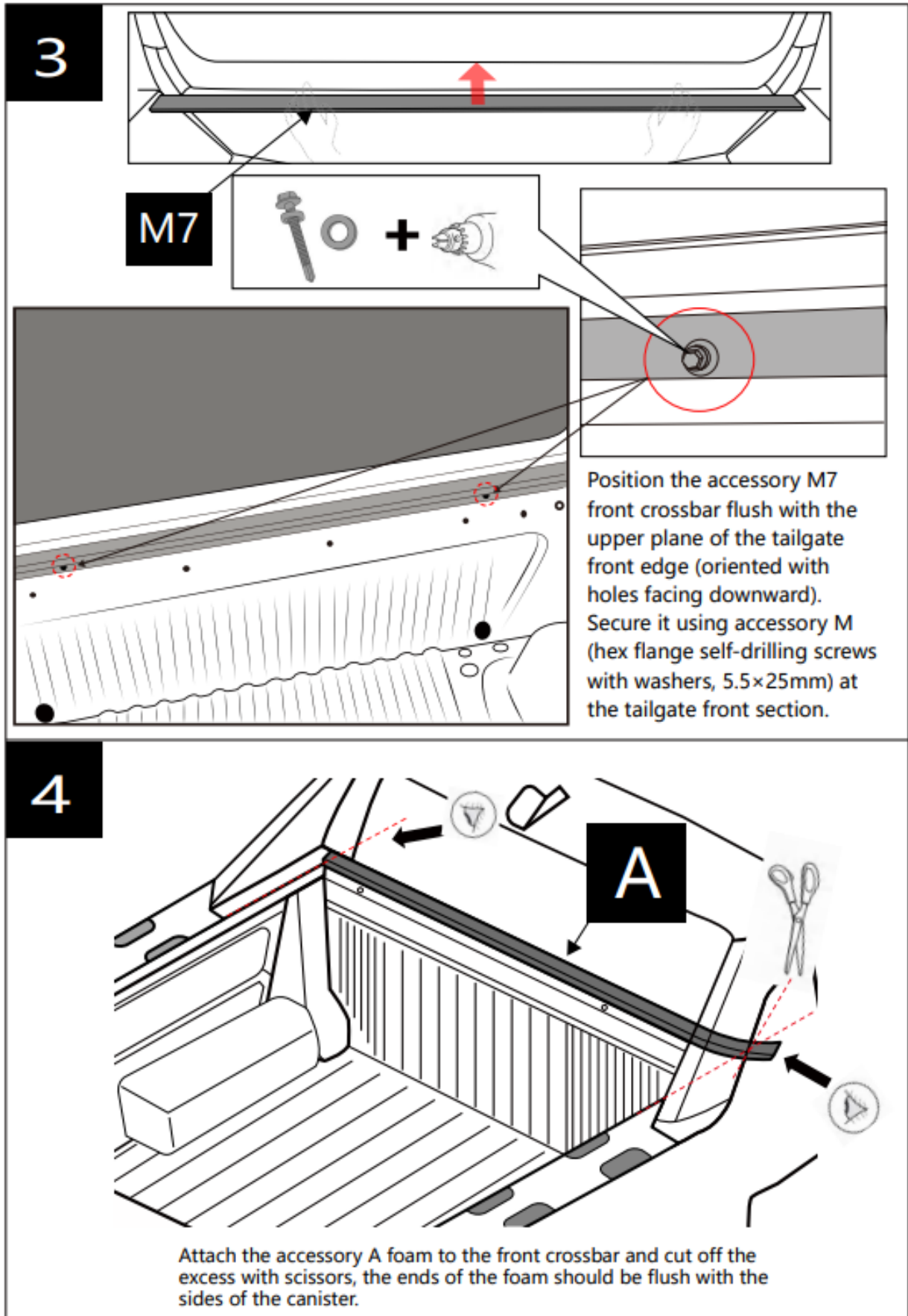


Wipe the mounting surface clean.

2

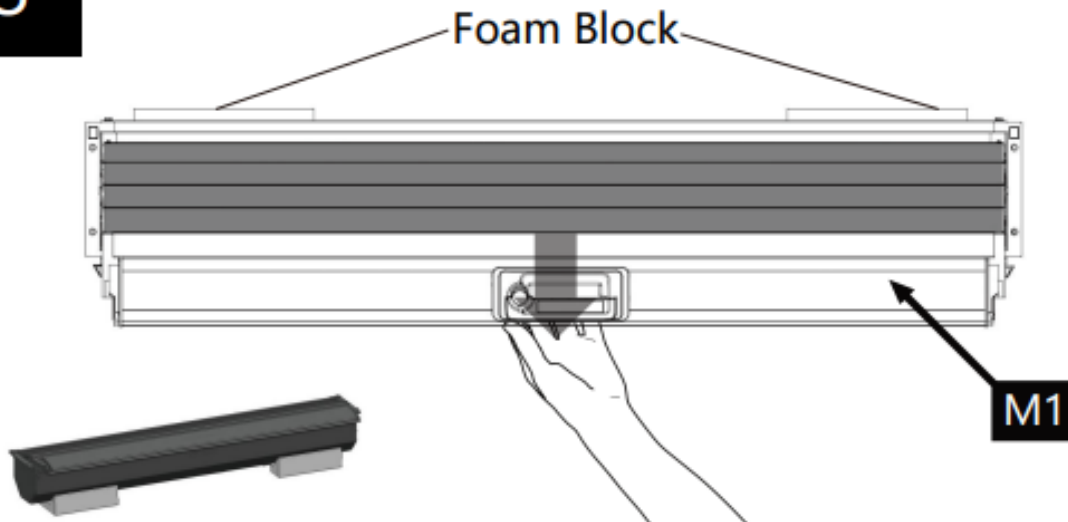


1. if the body has holes, then no drilling, drainage holes in the original car installation accessories E rubber ring.
2. If there is no drainable board, drill holes in the carriage. Use a $\Phi 28$ mm drill bit with a hand drill to drill holes. After drilling, remove the burr cape and install the accessory E apron.



2.2 Assembly

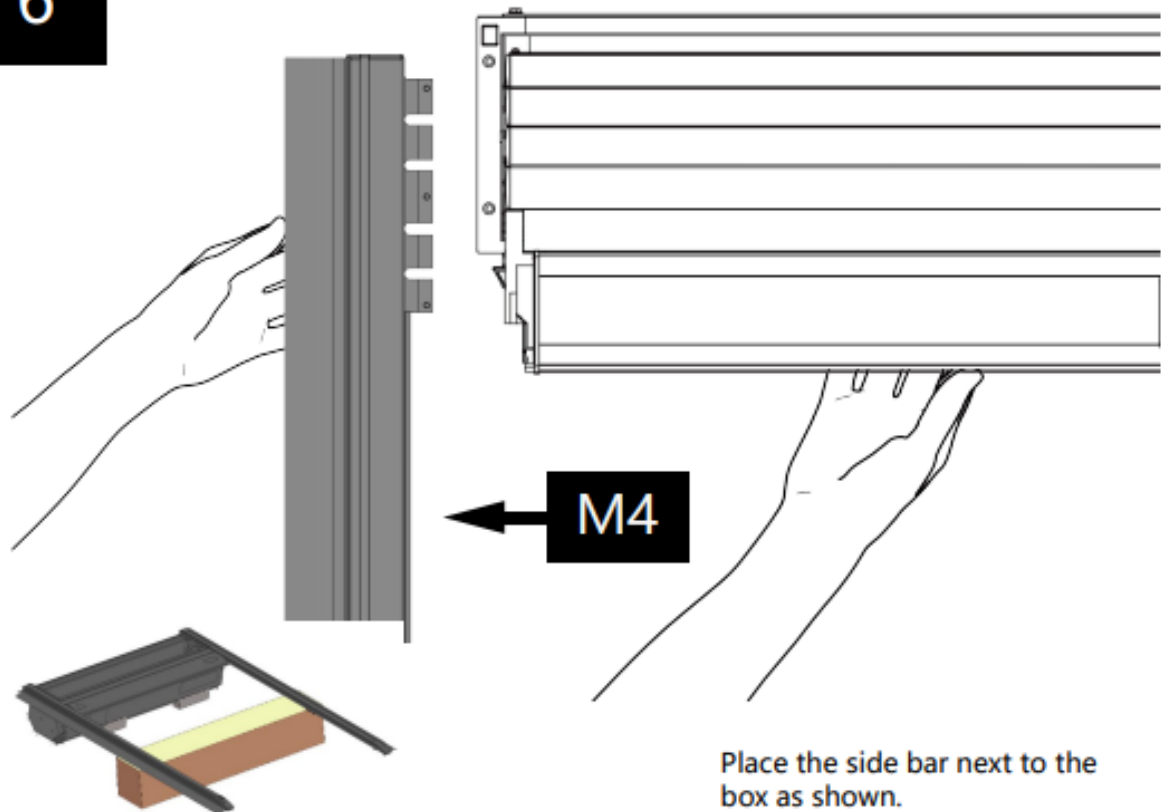
5



Box pull out 6-8 rolling shutter page.

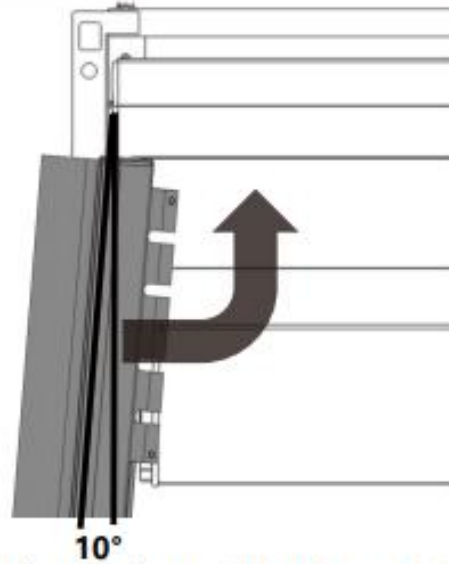
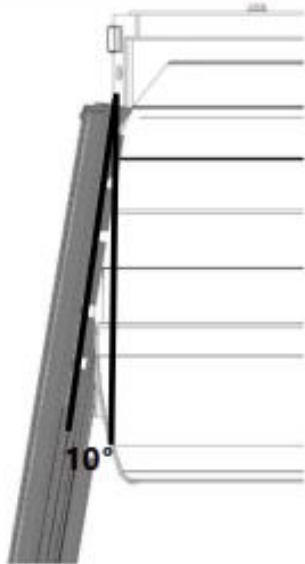
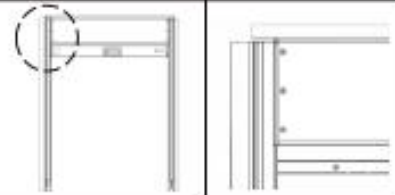
TIPS: Avoid the use of brute force operation, damage the product.

6



TIPS: Avoid the use of brute force operation, damage the product.

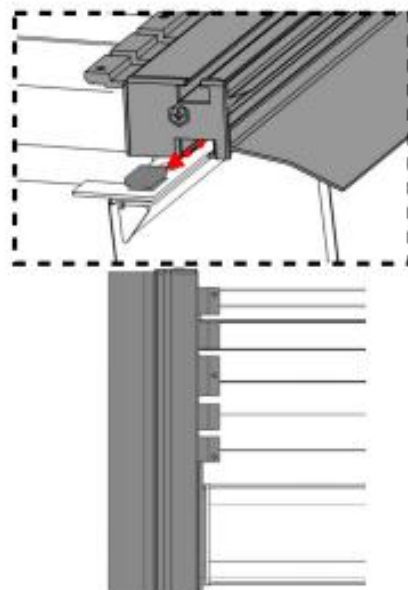
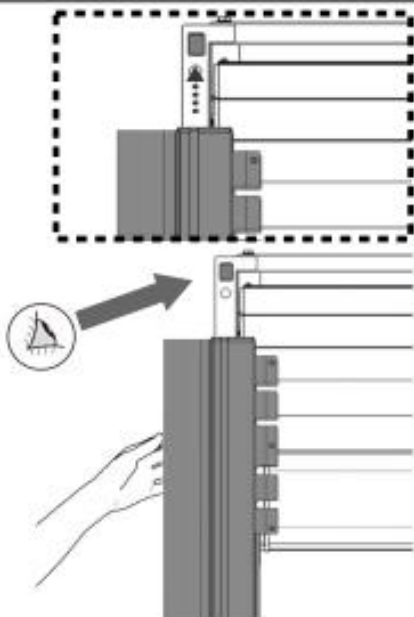
7



TIPS: Avoid the use of brute force operation, damage the product.

Lift the side bar up 10 ° and out 10 ° , and place the tailgate and shutter pages into the side bar chute.

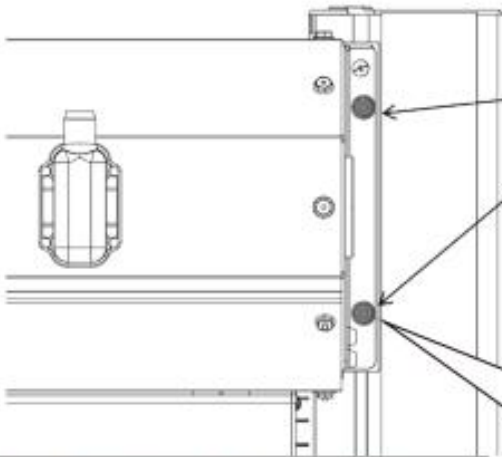
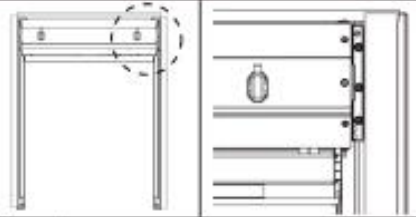
8



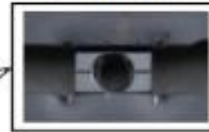
TIPS: Avoid the use of brute force operation, damage the product.

Align the side bar groove with the raised T-block and push the side bar until it can not move forward.

9



Floating nuts
for lockout



Note: After the first screw is halfway in, start installing the second screw. Fully tightening the first screw may make installing the second screw difficult.

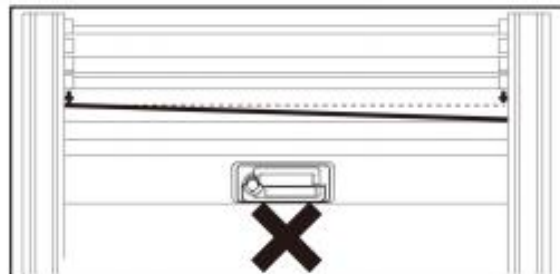
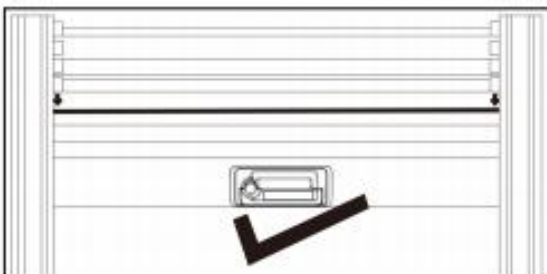
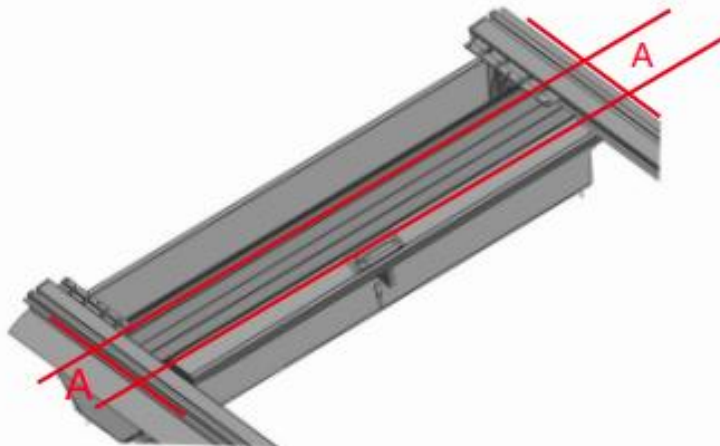
USE: **P**
S=5

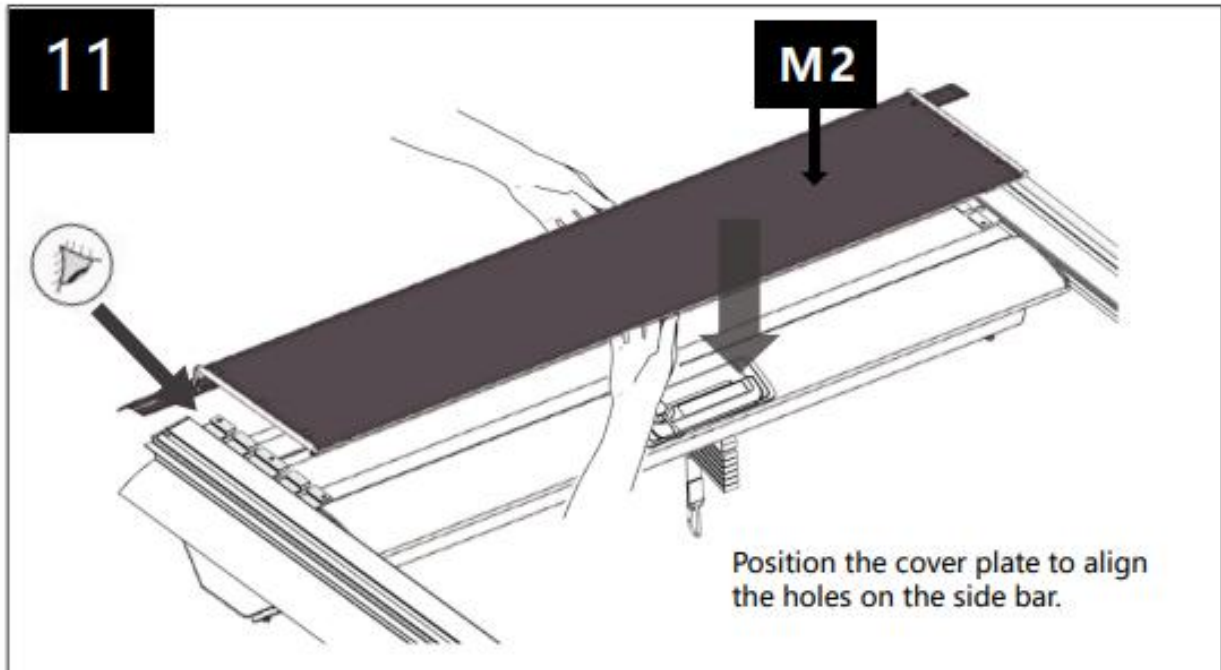
Using the accessory P Hex Wrench, tighten the accessory B bolt.

TIPS: To do this, reverse the box up and down. If the bolts don't fit, try to align the side bar with the hole in the box.

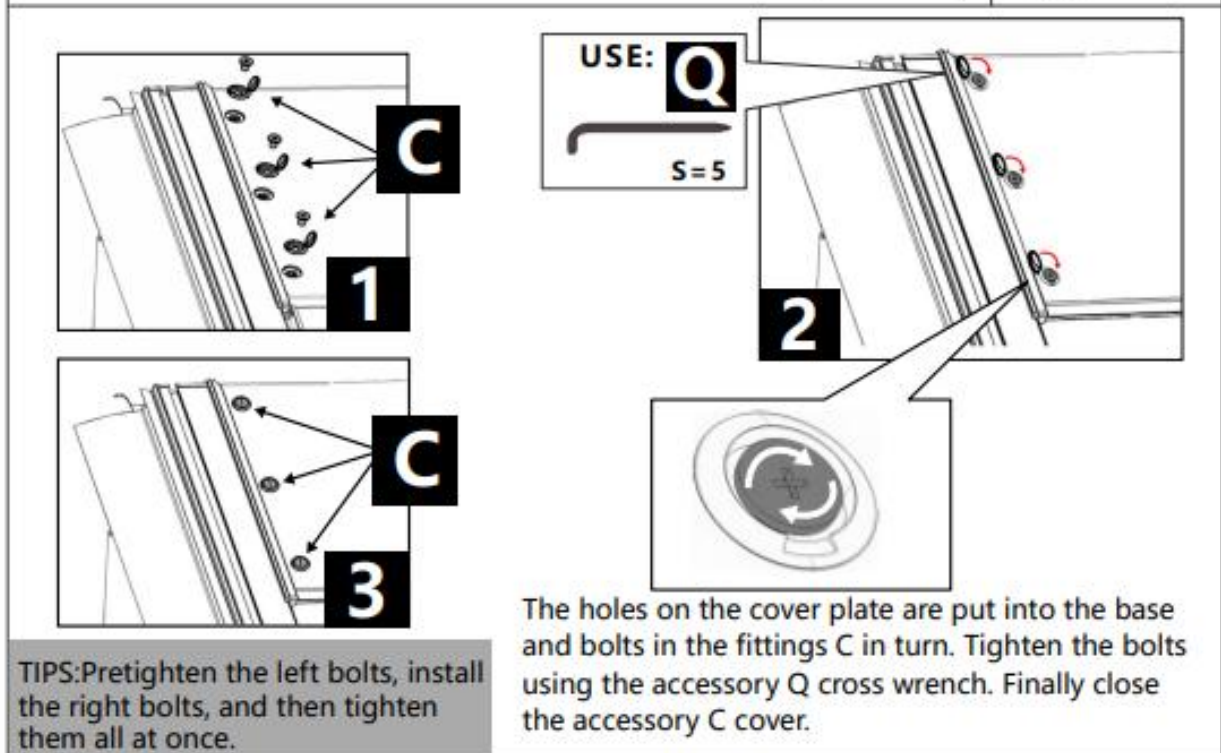
10

Before fully fixing the side bar, make sure that the roller shutters are in line (distance A = A).



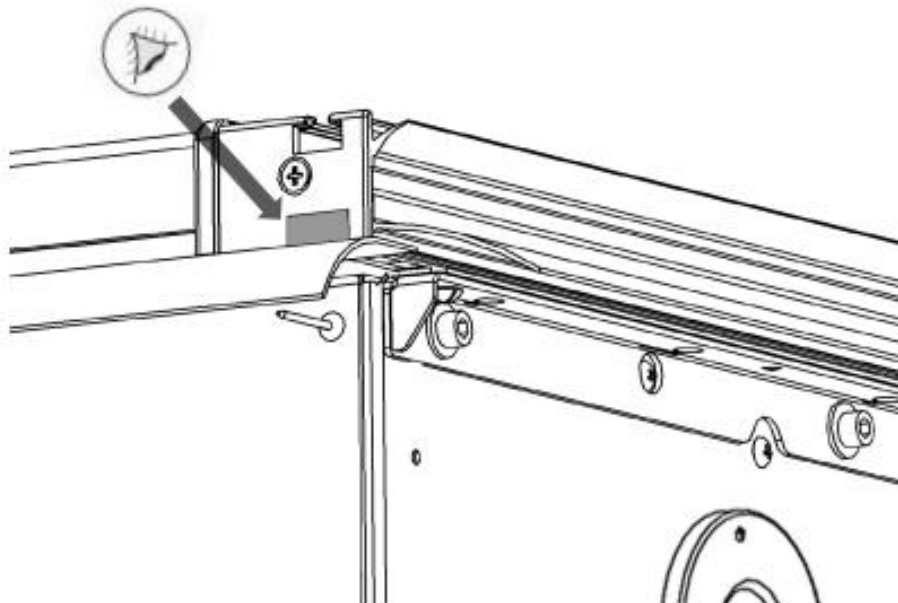
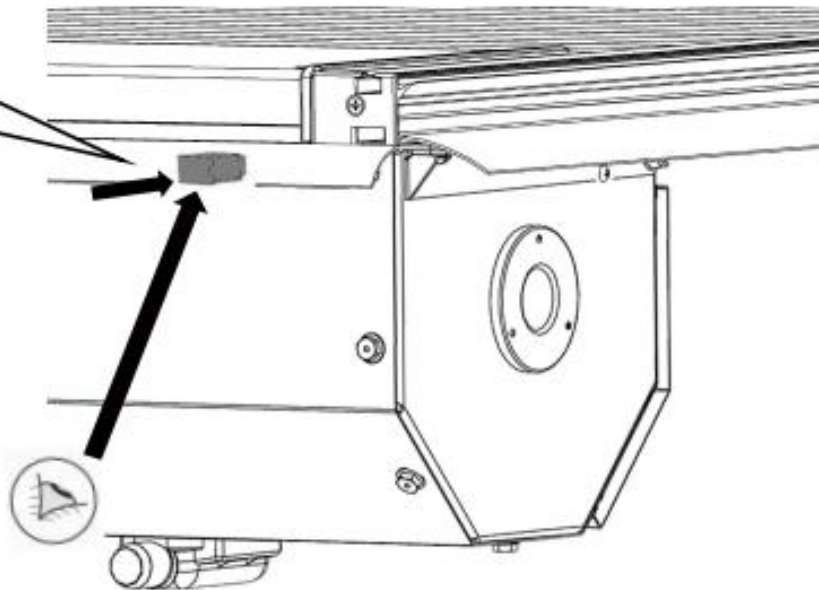
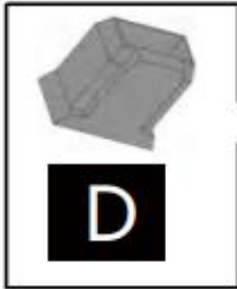
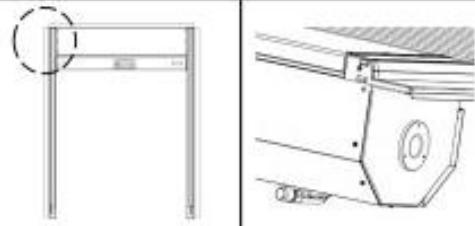


TIPS: Cover Plate should be aligned, do not scratch the box.



TIPS: Pretighten the left bolts, install the right bolts, and then tighten them all at once.

13

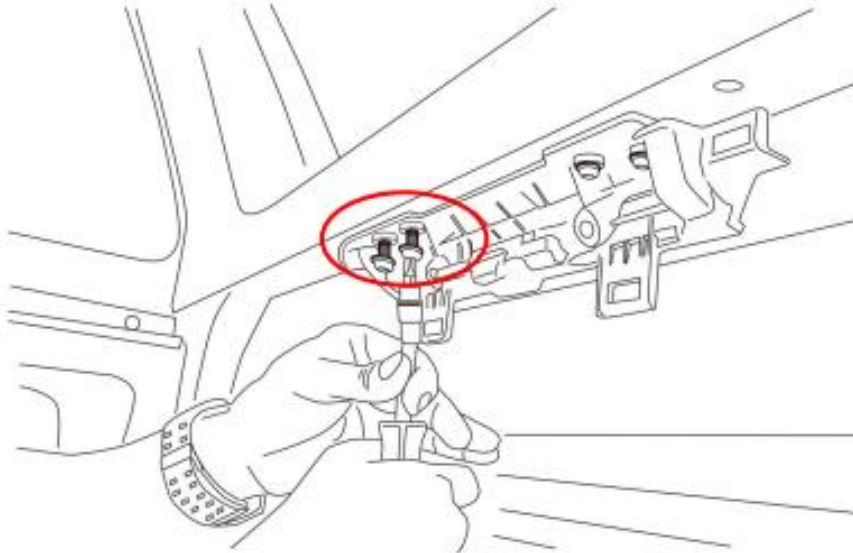


Place accessory D on the front end of the side bar as shown.

TIPS: The narrow part of accessory D should face down.

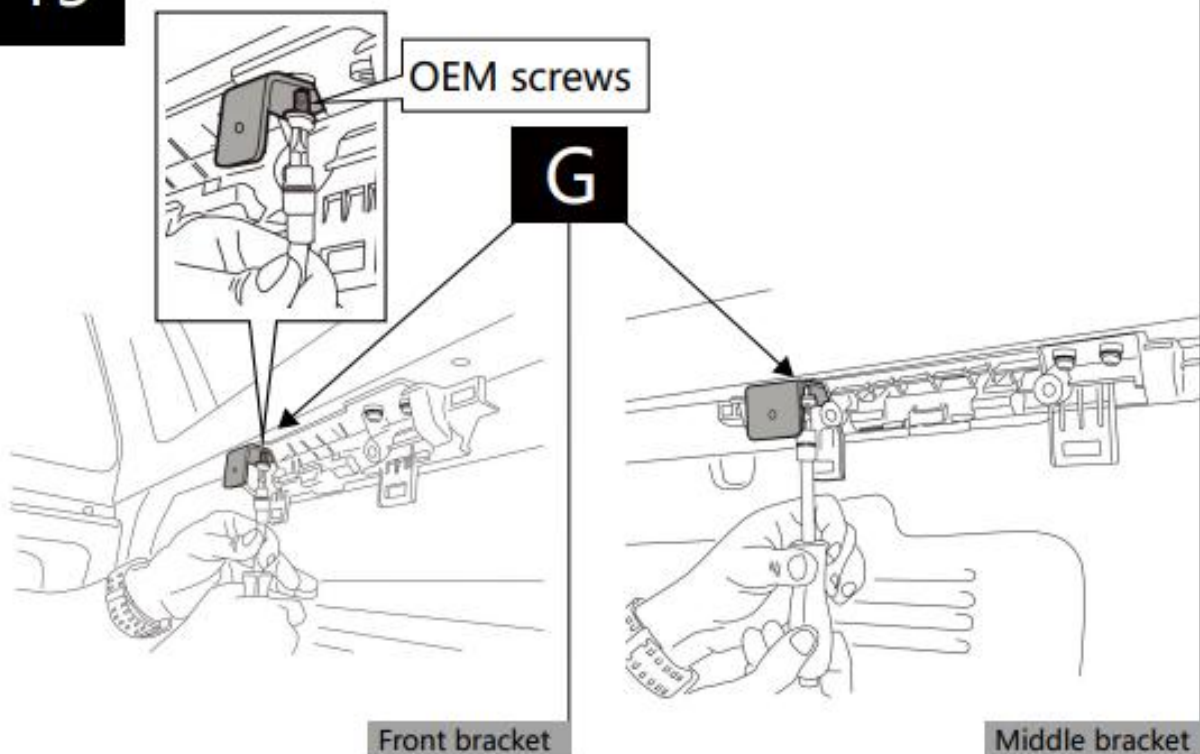
2.3 Assemble the bracket

14



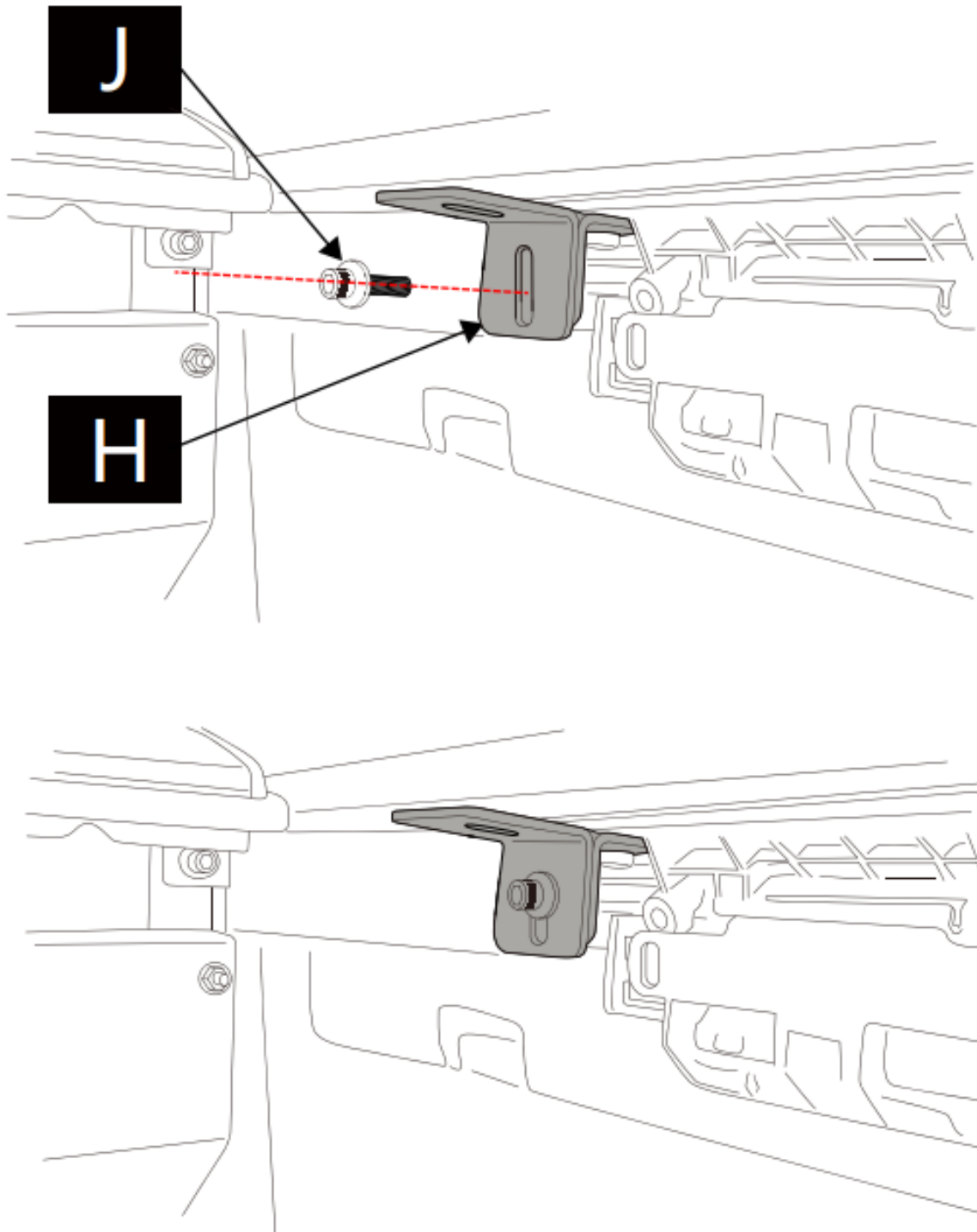
Remove the OEM screws (required for bracket installation) from the plastic trim components along the carriage edges (as picture). Repeat the same procedure for the middle bracket.

15



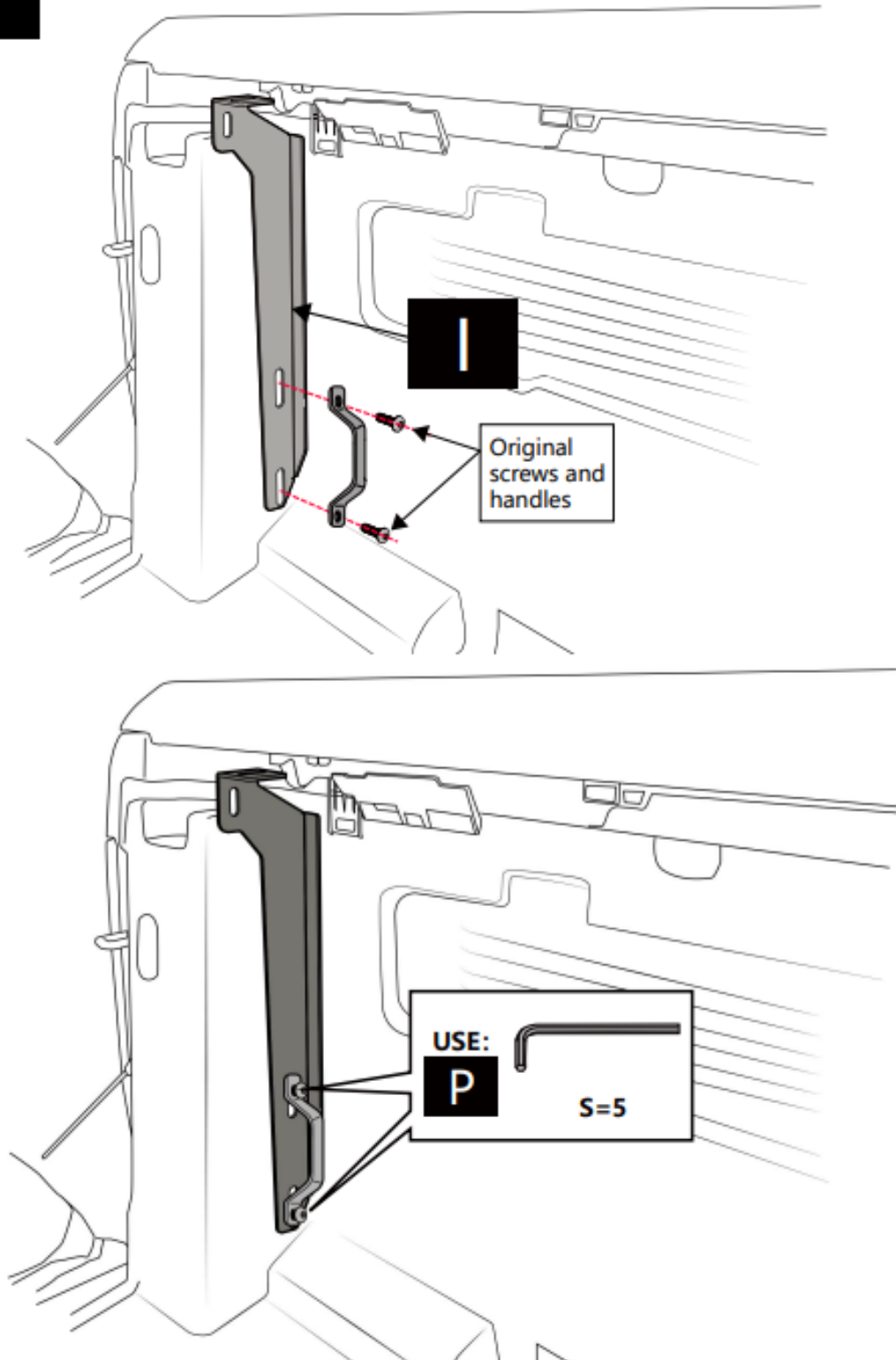
Using the vehicle's original matching screws, install accessory G brackets to both the front and center brackets. Secure the accessory G brackets to the carriage with a wrench (as shown in the illustration) – two on each side (left and right)

16



Assemble the screw, spring washer, and flat washer from accessory J, then connect bracket H to bracket G. Secure the assembly by tightening all four screws (two on each side) into the threaded holes of bracket G using a wrench.

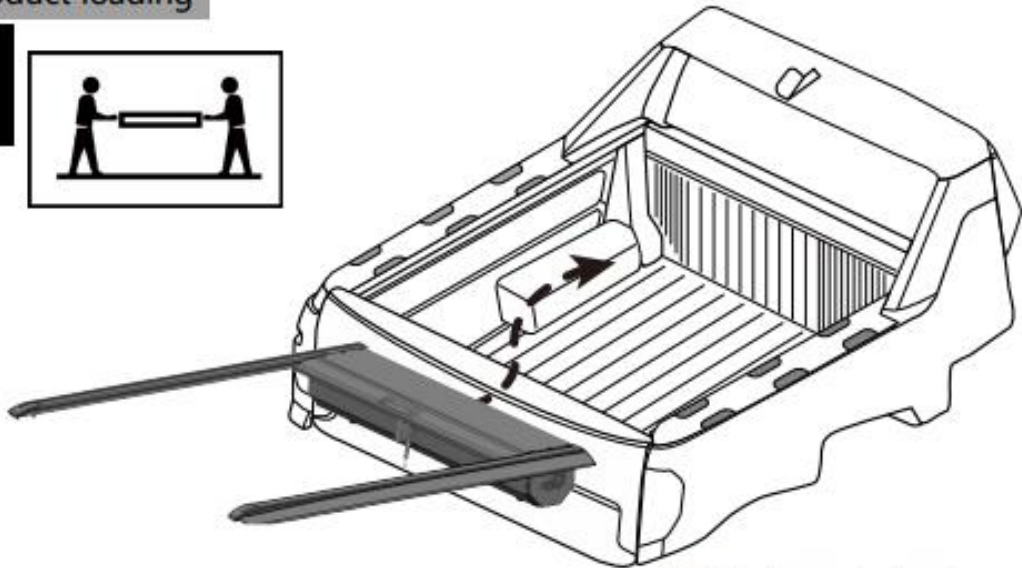
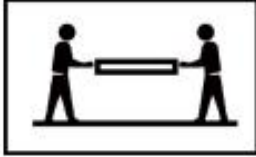
17



Remove the 2 M8×30 OEM screws of the vehicle tailgate cargo box treasure, install the rear bracket of accessory I in the position of the vehicle tailgate cargo box treasure, and then tighten it with the original screws, the same as the right side.

2.4 Product loading

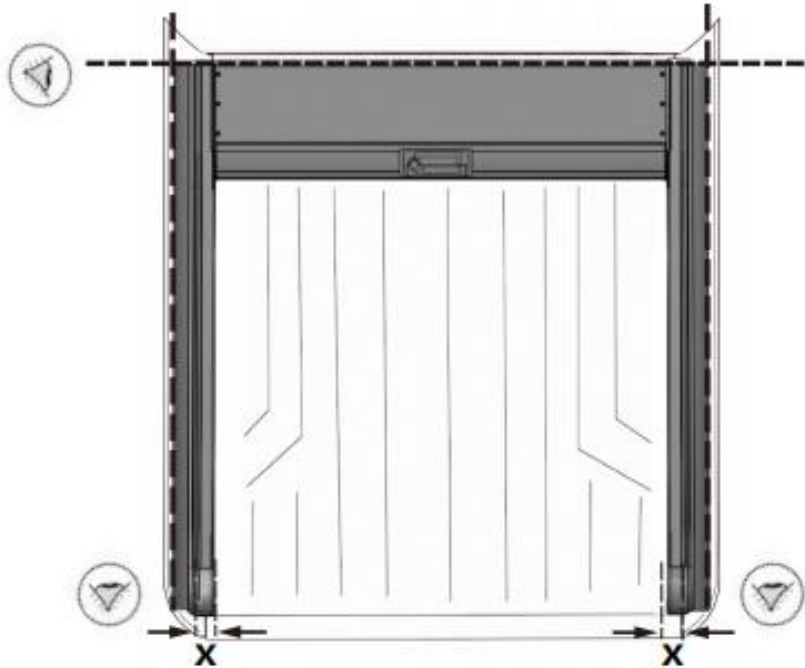
18



Lift the box onto the carriage.

TIPS: In order to personal safety, and the appearance of the product without damage, it is recommended that two people on the carriage, to avoid the process of scratching the carriage and product surface.

19

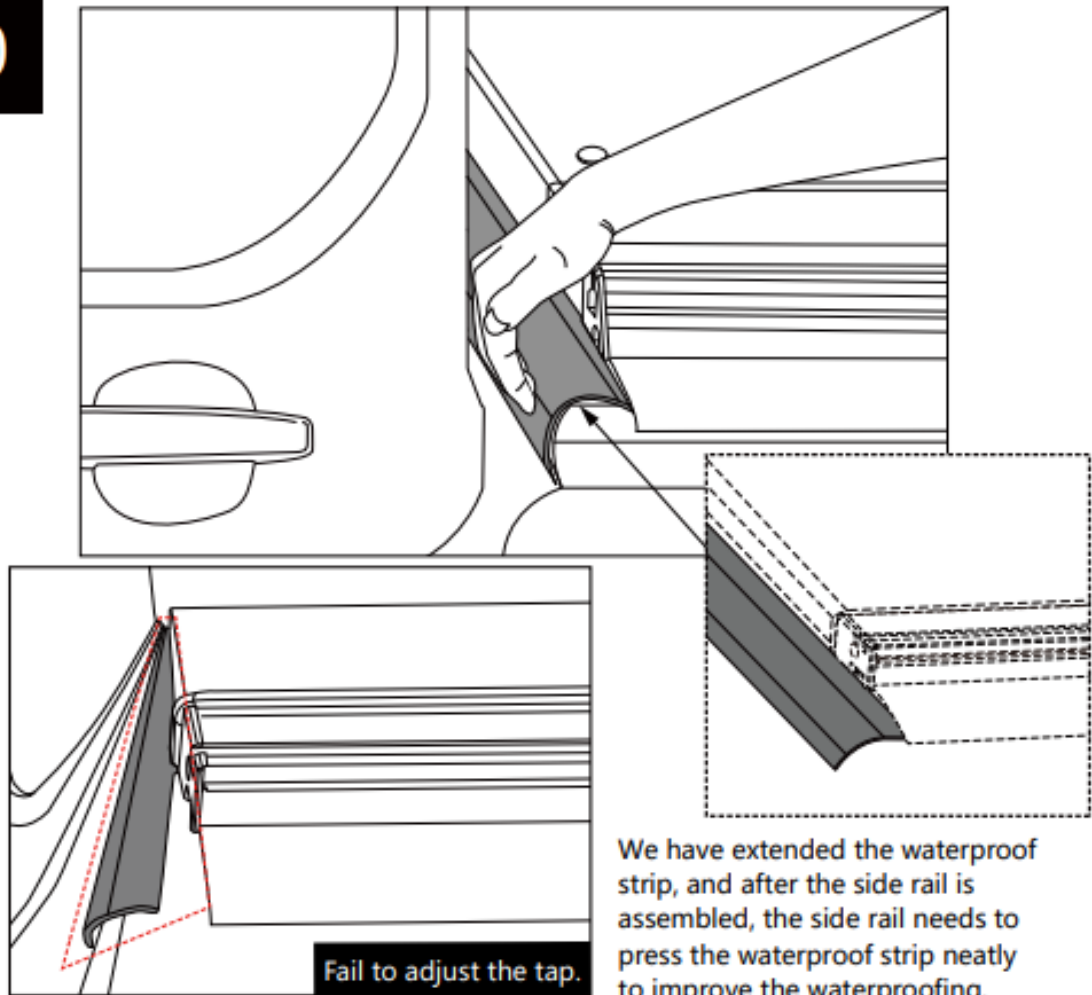


X=X

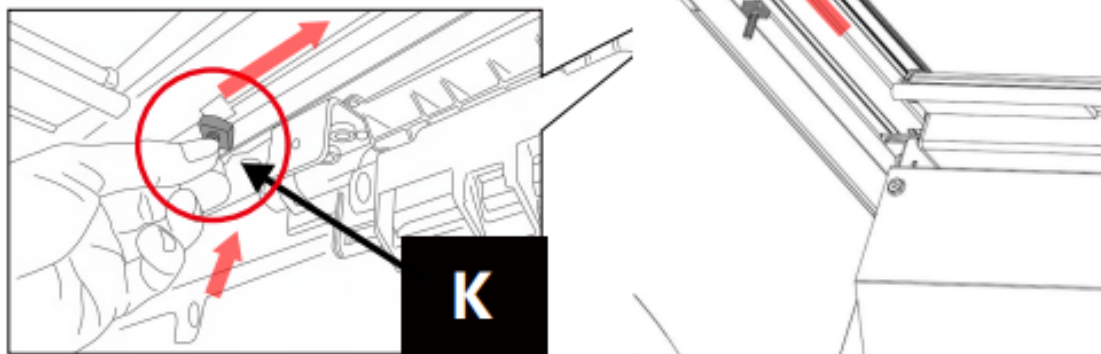
TIPS: If the product after the end of the 1CM-2CM without taking the tail, you need to move the shutter less backward.

Push the rolling shutter against the carriage until the distance between the two side bars and the carriage is the same.

20

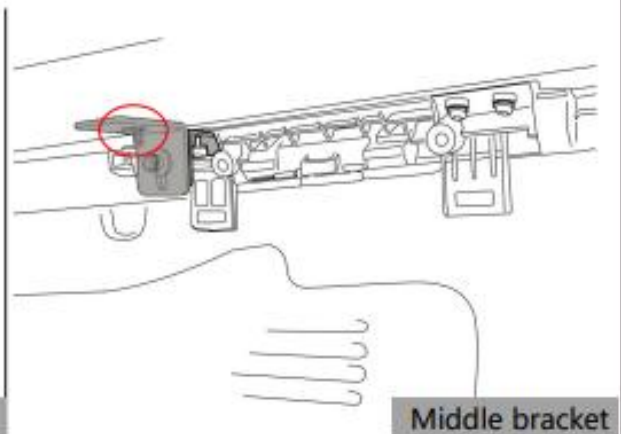
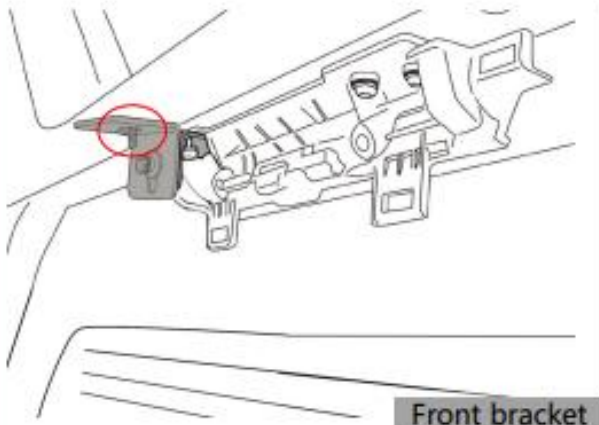


21

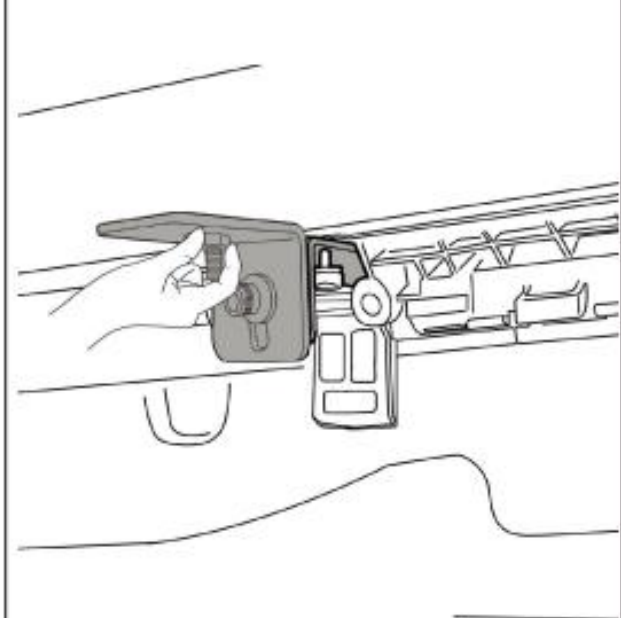
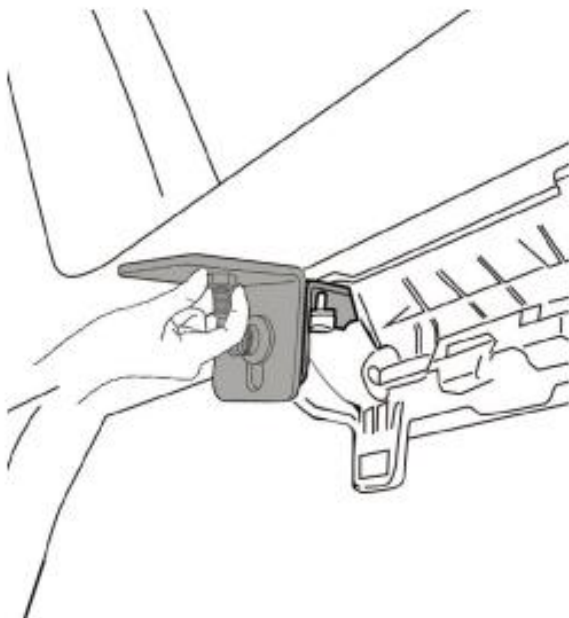


After adjusting the front and rear positions of the roller shutter appropriately, place 3 square head bolts in each of the slots under the left and right side rods of the roller shutter; then pre-tighten the bracket to the roller shutter using the accessory K square screws.

22



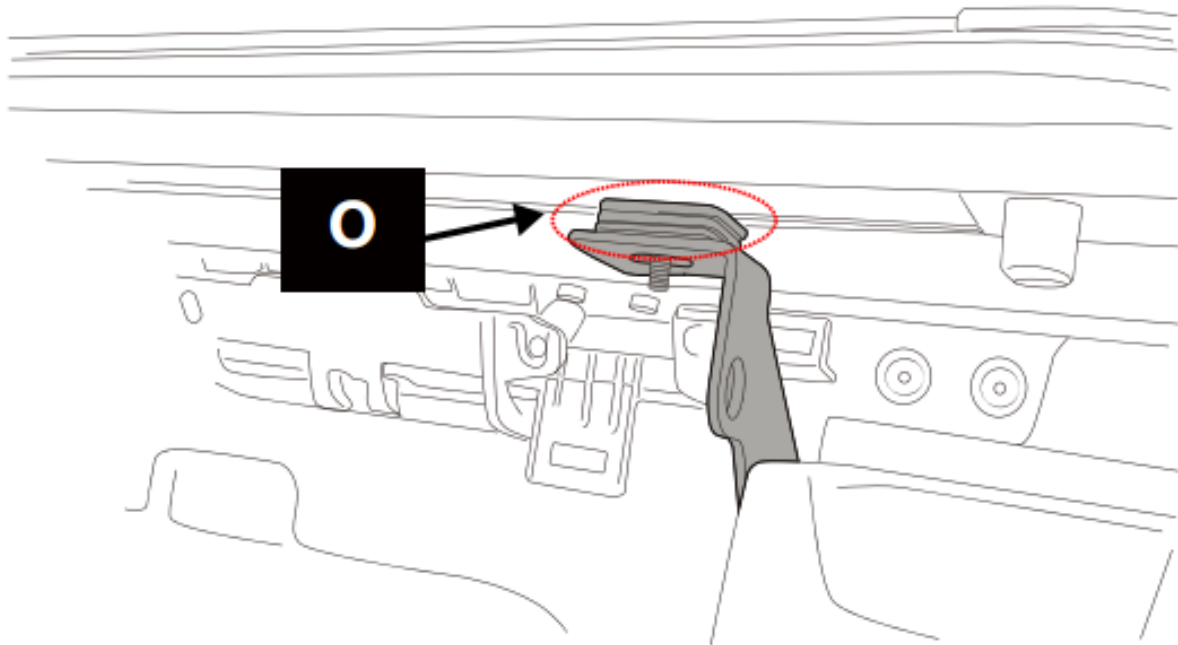
Lift side lever slightly, install K bolt into it bracket.



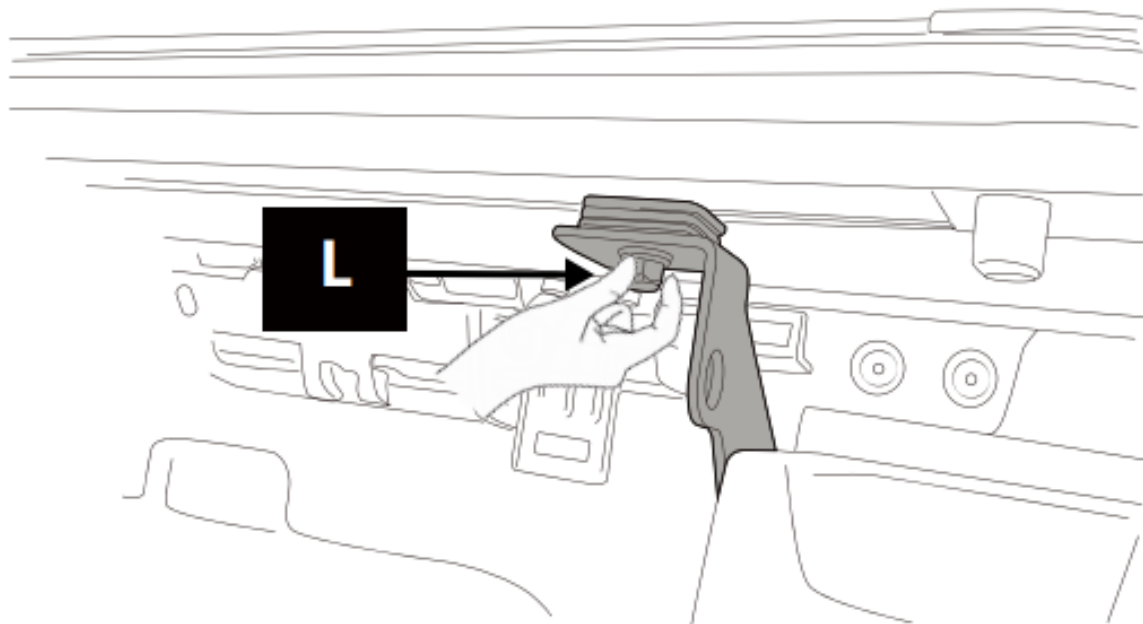
Important note: This step only pre-installs the screws, do not tighten them, leave them loose.

Put the fitting L nut on the square screw by hand and pre-tighten the side bar on the front bracket, same for the right side. Note: Keep the bracket with enough room to move up and down, side to side.

23

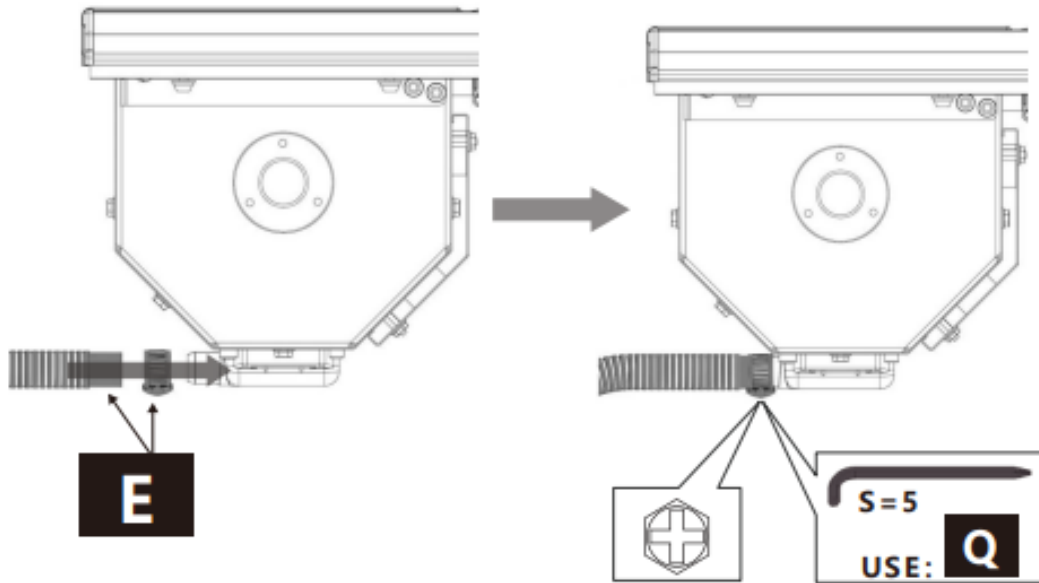
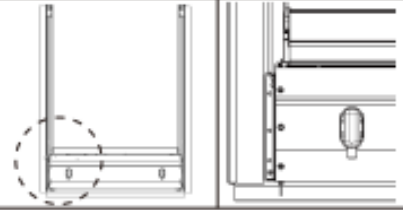


Place the three accessory O square spacers on the rear bracket, then place the square screws into the holes in the rear bracket.



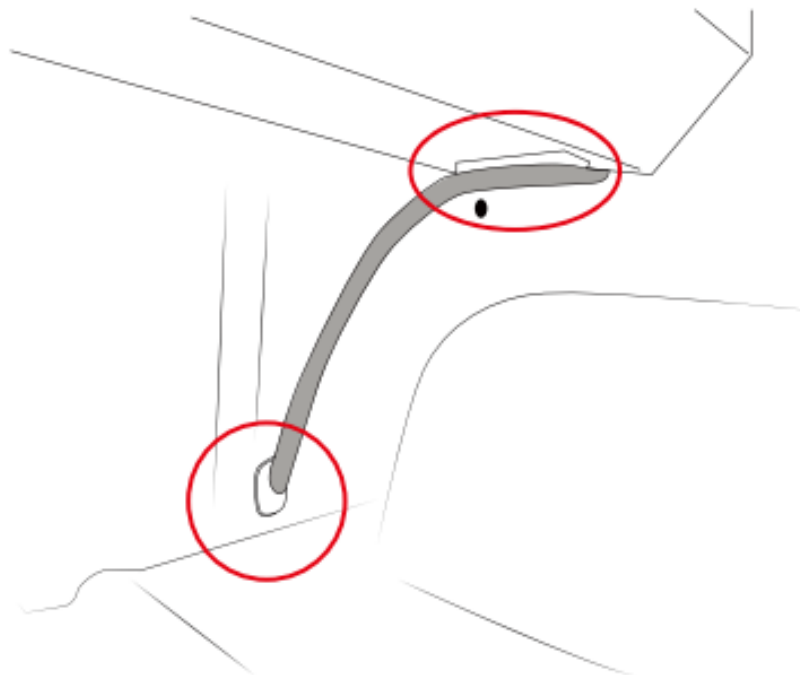
Put the fitting L nut on the square screw by hand and pre-tighten the side bar on the front bracket, same as the right side. Note: Keep the bracket with enough room to move up and down, left and right, same as the right side.

24



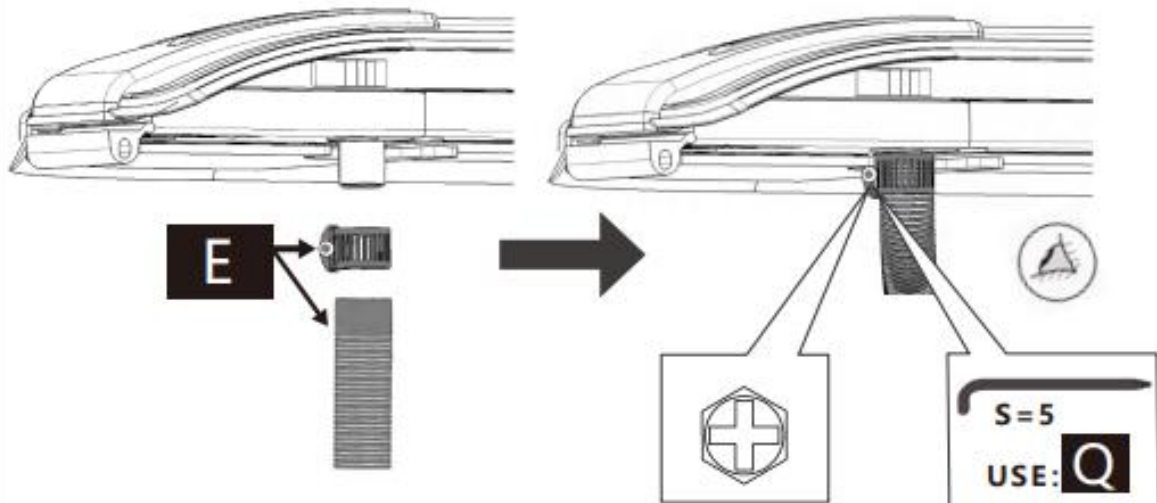
TIPS: Both sides of the side bar drain pipe installed in line.

Use accessory Q Wrench to tighten accessory E bolt.



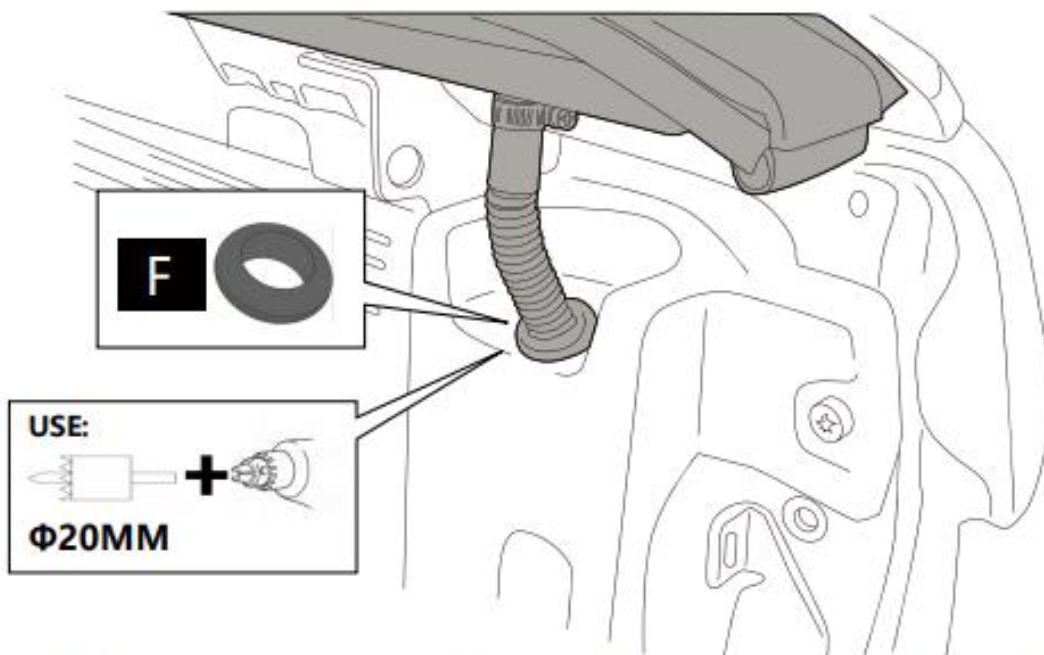
Plug the drainage pipe of the box body out of the car through the rubber plug, the right side is the same.

25



TIPS: Both sides of the side bar drain pipe installed in line.

Use accessory Q Wrench to tighten accessory E bolt.

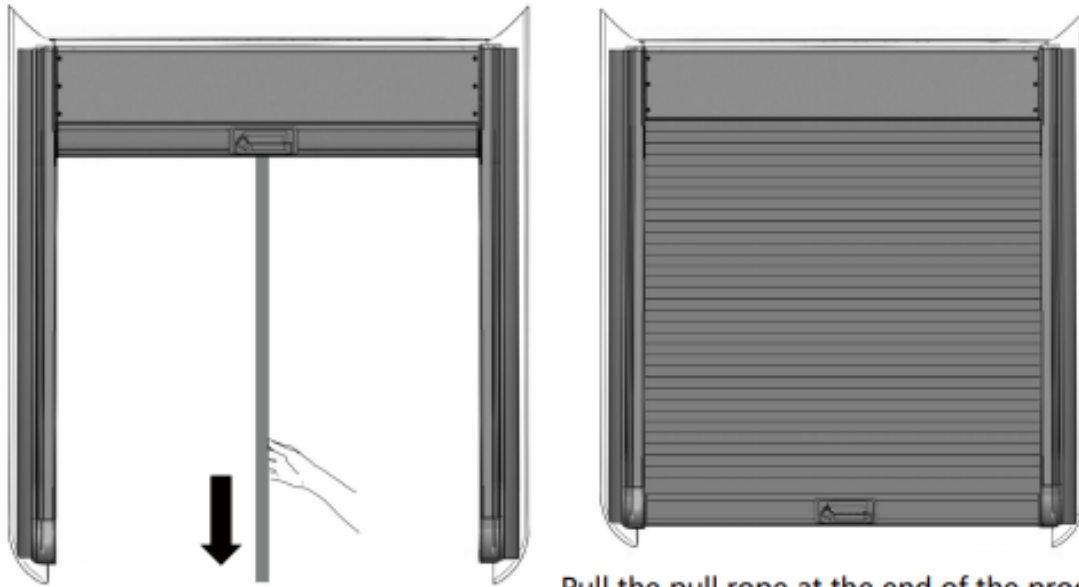


1. if the end of the side rod around the original hole, can be side rod drain through plug out of the car,
2. If there is no hole, you can use the drill $\Phi 20\text{mm}$ with hand drill to open, deburring Cape also need to install accessories F apron, the same as the right side.

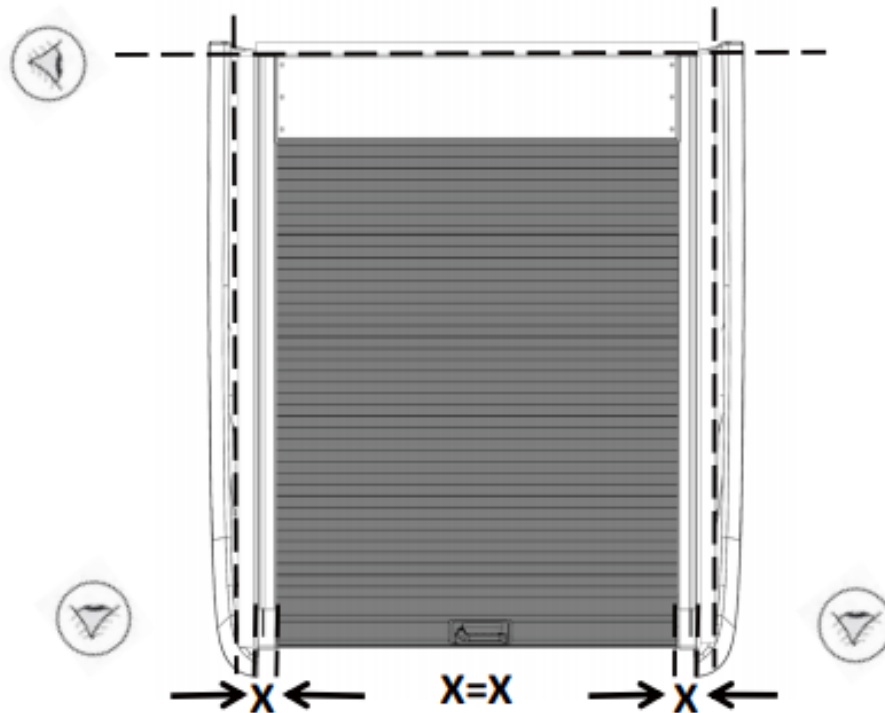
2.5 Adjust/check (Gage M5 or M6)

Option 1: Accessory M5

26



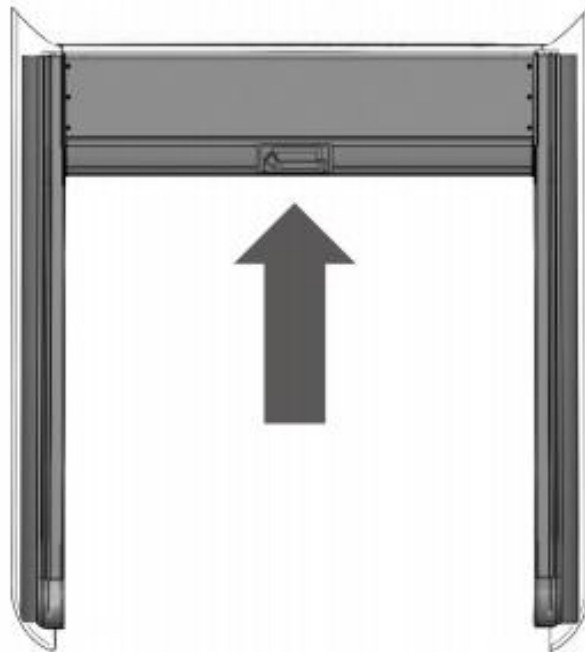
Pull the pull rope at the end of the product door to close the product shutter.



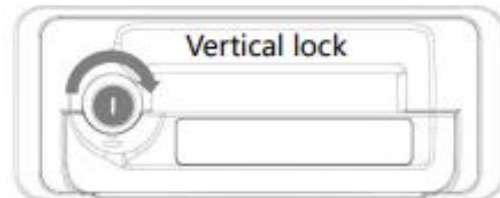
TIPS: If the back end of the product is not on the tail door 1CM-2CM, you need to move the shutter less backward.

Push the rolling shutter against the carriage until the distance between the two side bars and the carriage is the same.

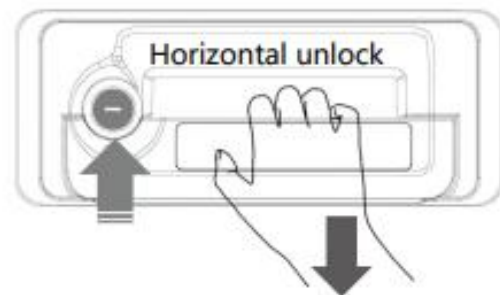
27



Unlock Method 1:



Vertical lock

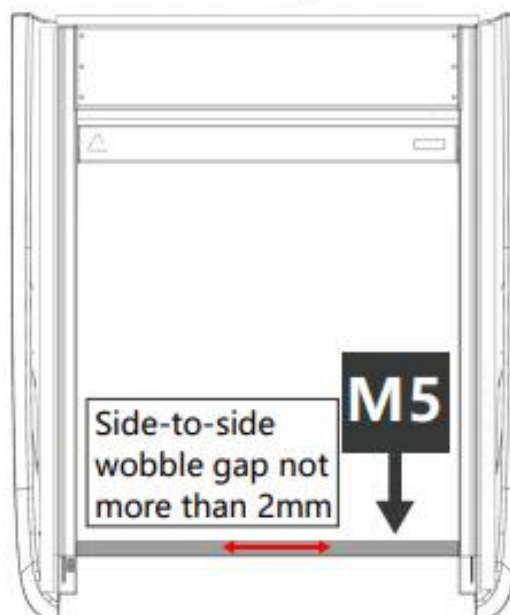


Horizontal unlock

Unlock: horizontal lock-pull the handle back and press to unlock.

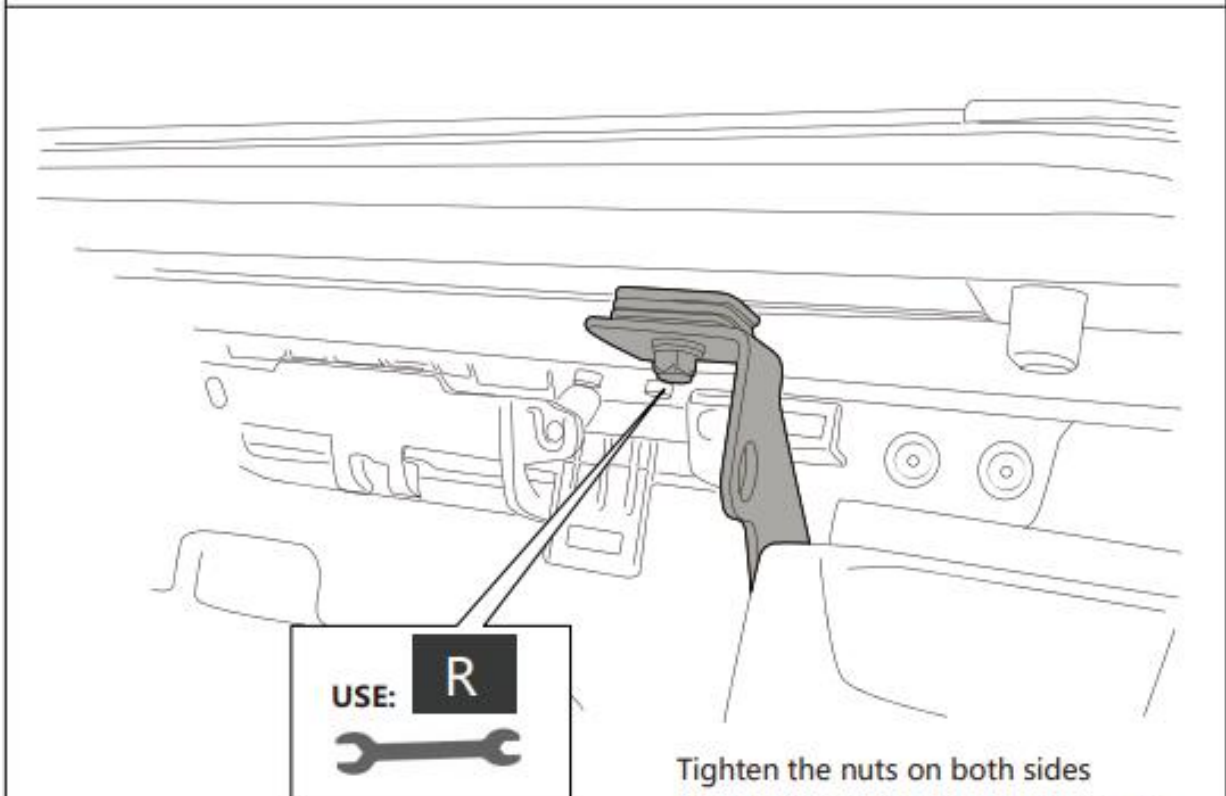
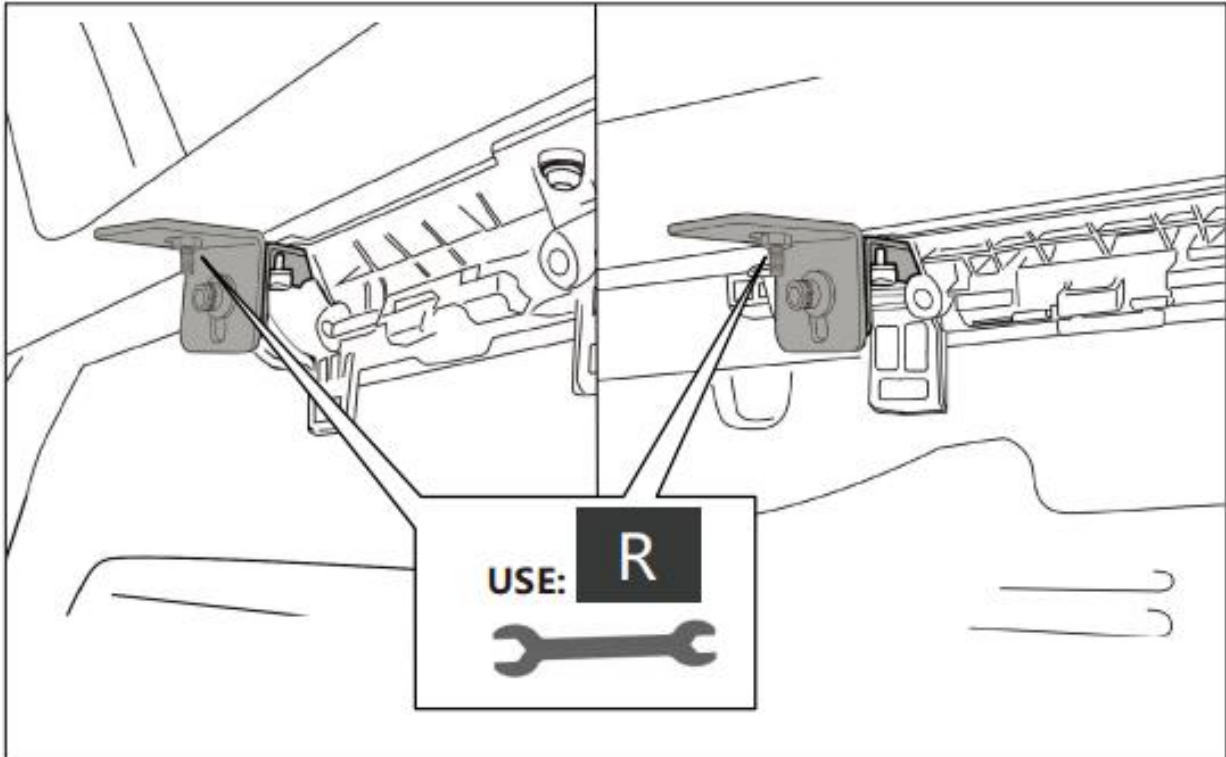
28

Method 1: Adjust the opening distance at the rear ends of the left and right side levers. As shown in the figure below, insert both ends of the adjustment rod into the side lever sliding grooves. Ensure the lateral play does not exceed 2mm when wiggling. Test the roller shade installation by moving it back and forth parallelly inside the side levers several times to verify smooth operation, then finally push it against the end stop. Simultaneously push both side levers toward the center and make fine adjustments with minimal force.



Side-to-side wobble gap not more than 2mm

M5



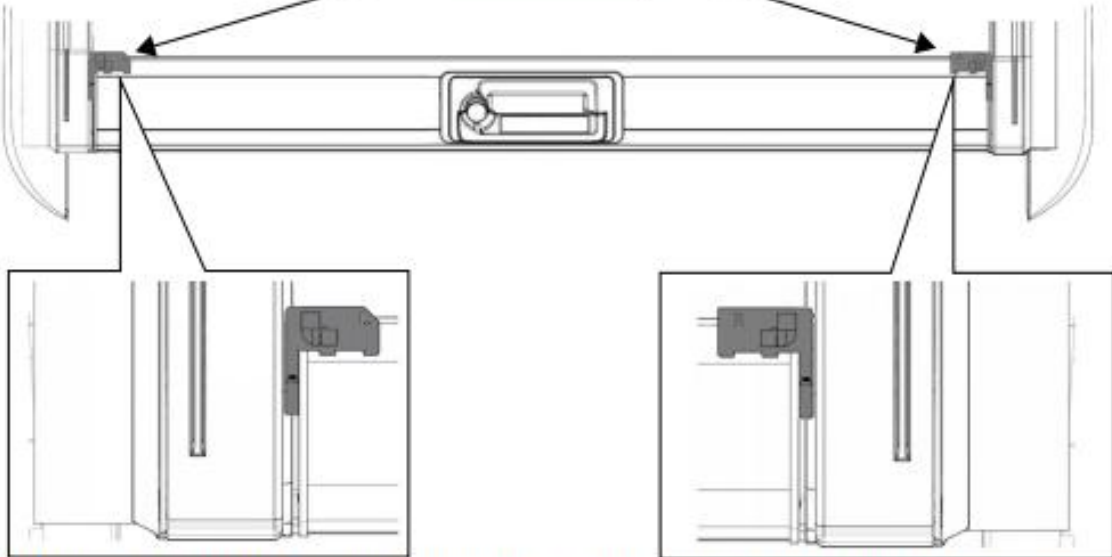
TIPS: After fixing the nuts of the brackets at the back of the both sides, take away the adjusting rod and open the roller shutter.

Tighten the nuts on both sides against the rear bracket with spanner Z5, then open the roller shutter and tighten the nuts on all brackets.

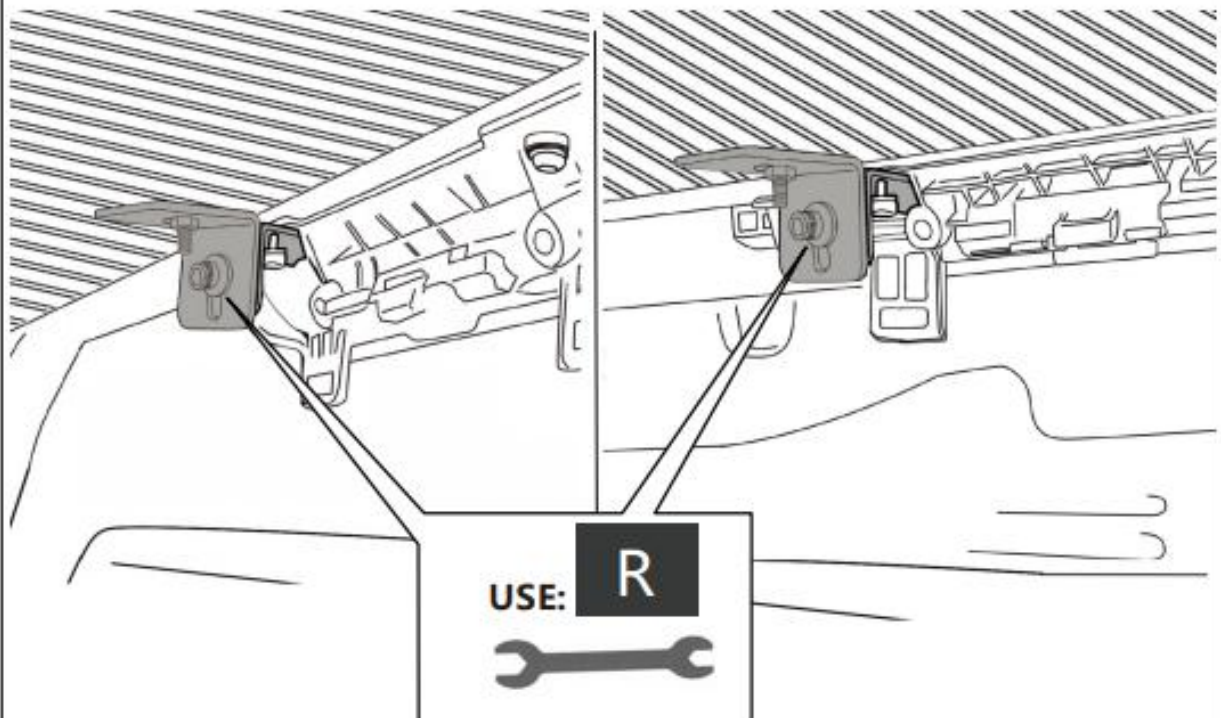
Option 2: Checker M6

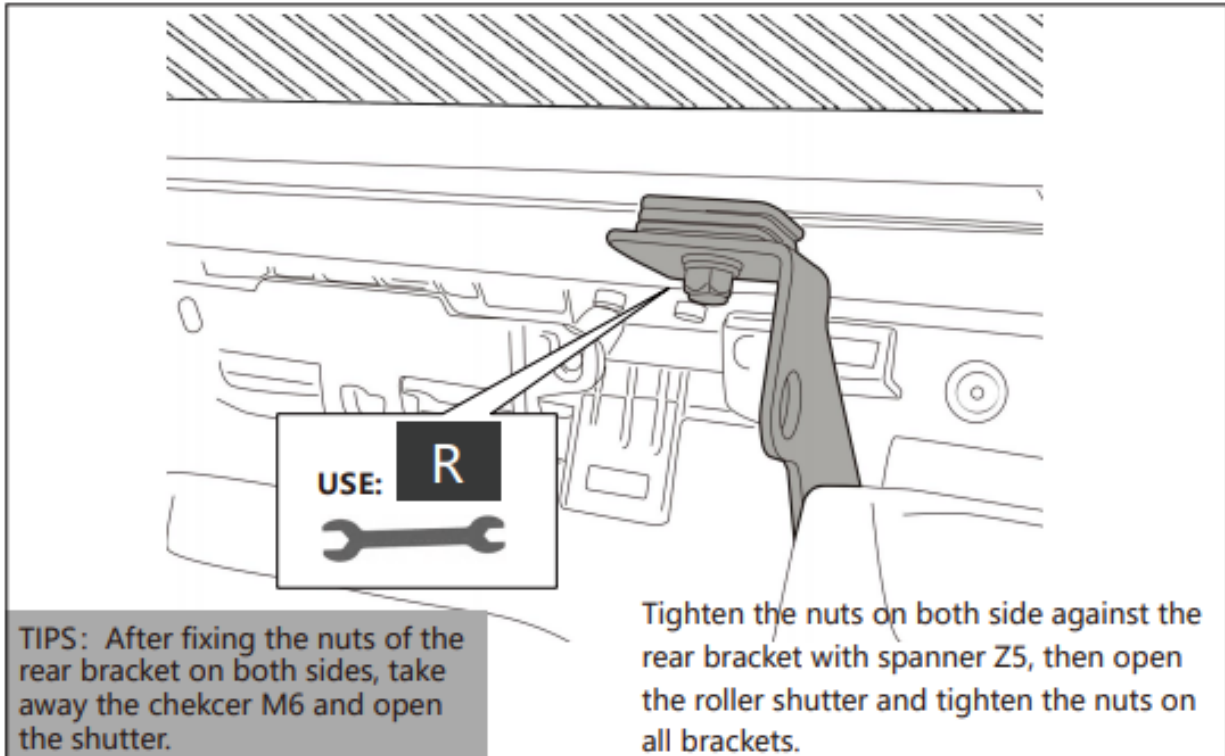
29

M6

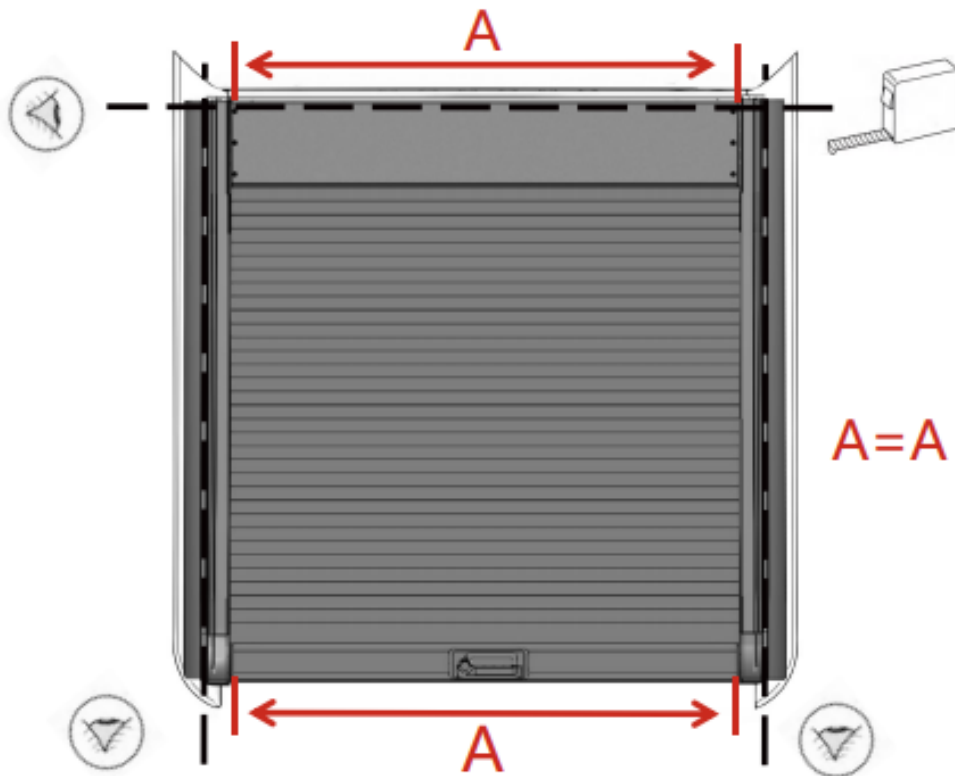


Method 2: Close the shutter and place the checker fitting R between the tailgate page and the end of the side bar as shown above, a gap between 7-9mm is optimal.





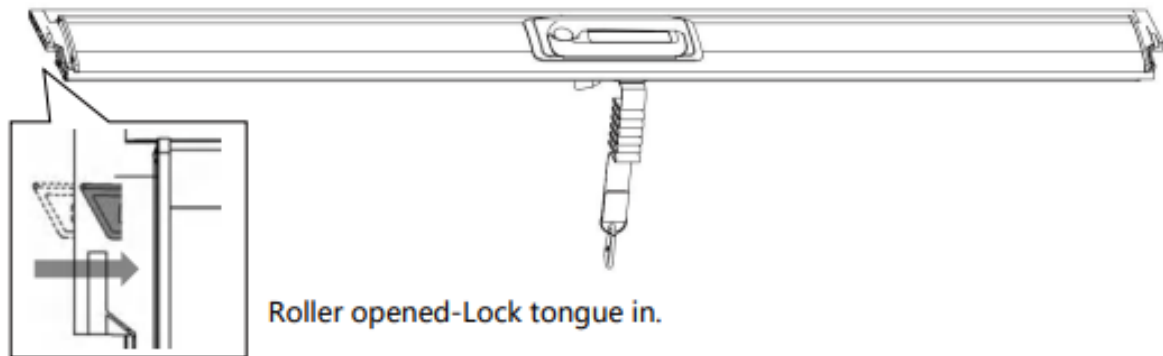
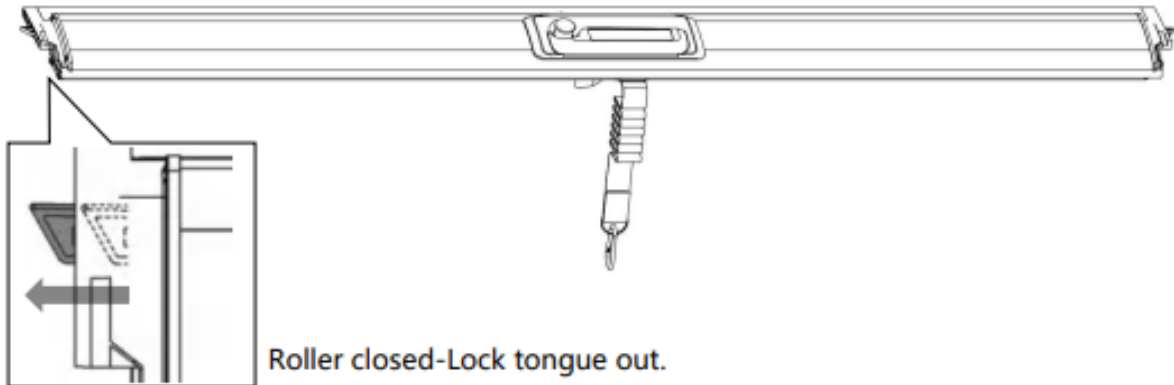
30



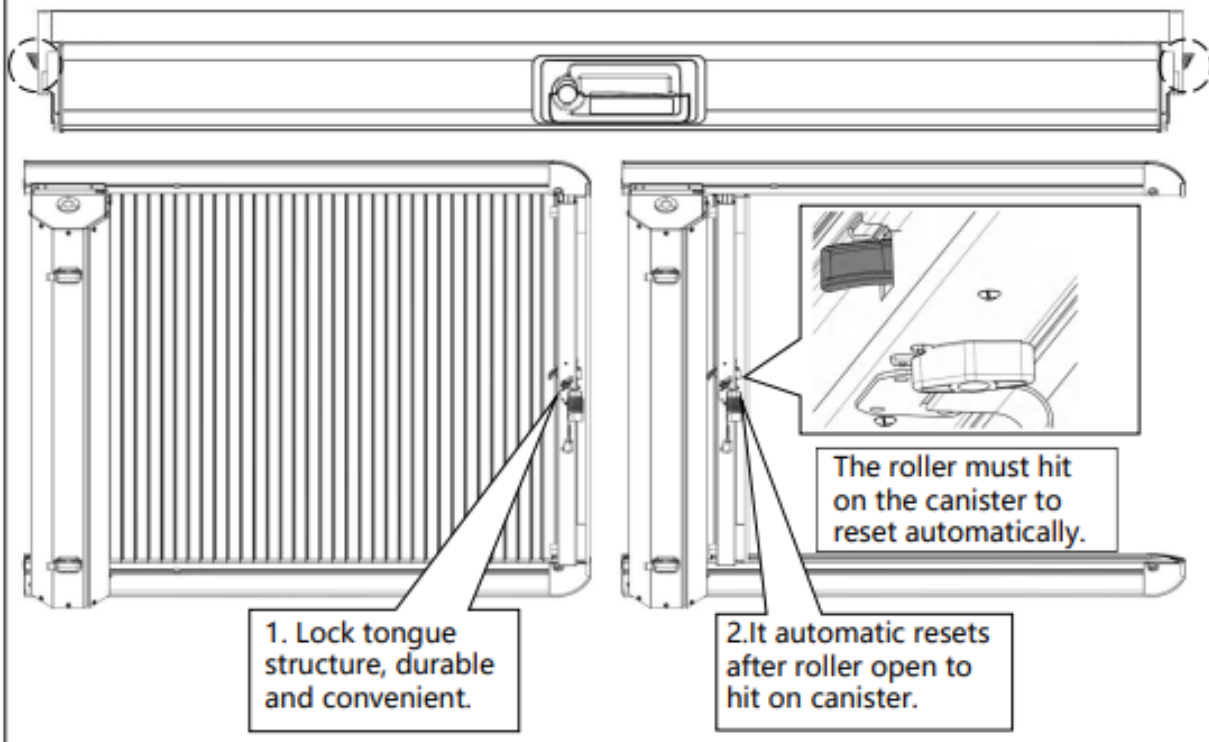
Make sure all the bolts are tightened, close the shutter, observe whether the product is parallel, can use a ruler to measure the gap between the front end and the back end of the product is consistent, the difference is within 2 mm is the best state.

3. Product Introduction

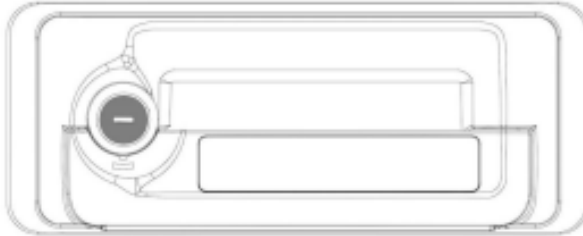
3.1 Manual Lock Introduction



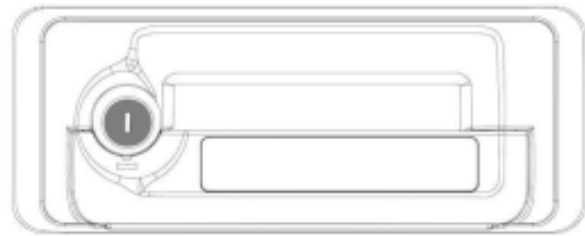
3.2 Benefits



3.3 Manual lock operation



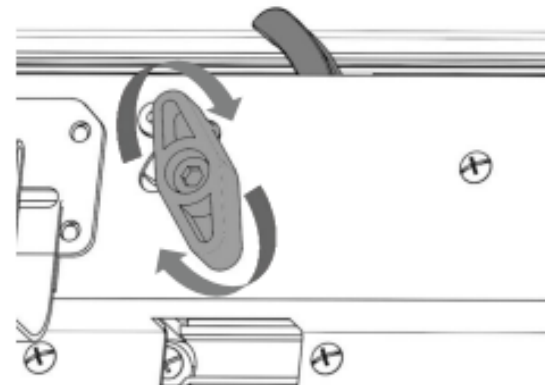
1.Unlock: Horizontal key-hole--Pull the handle backward and press to unlock.



2.Lock: Close the roller--turn the keyhole to vertical direction to lock.



3.Rotate the block to unlock as below.

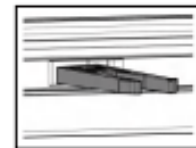


4.Rotate the block to lock as below.

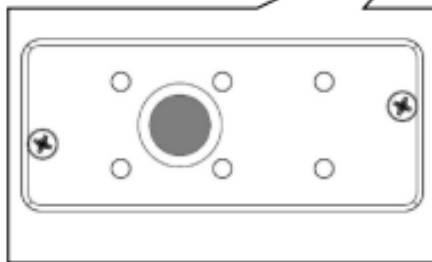
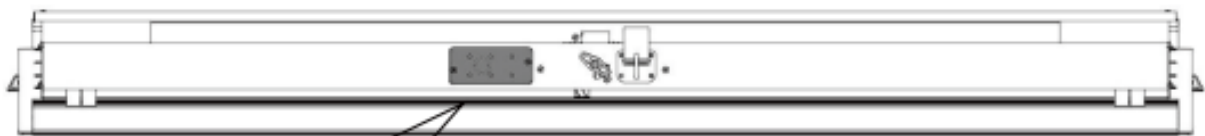
3.4 Function Introduction



The cover can be unlocked in three positions, and this function can be used based on different needs.



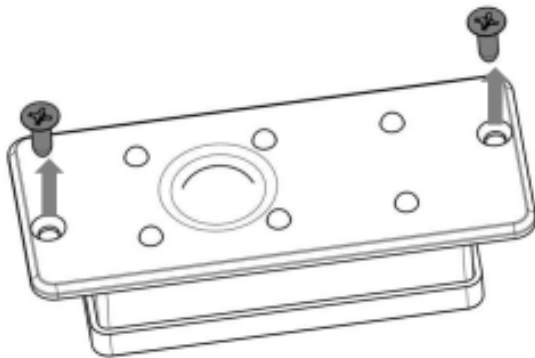
3.5 LED Light



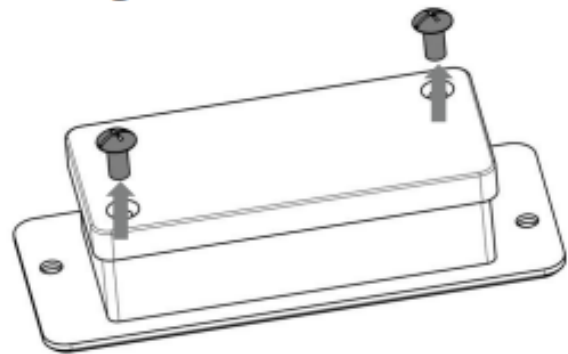
Operation:

Press the red button to turn on/ off the light. If you do not touch the red button to turn off the light, it will automatically off after 5 minutes.

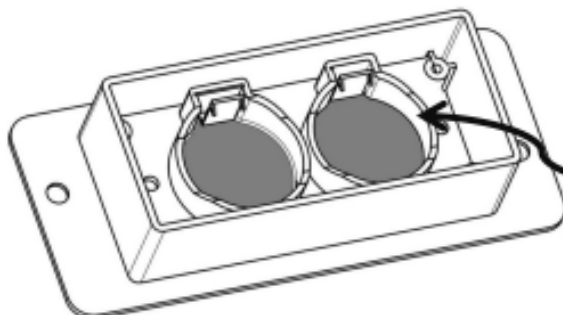
Change the batteries for LED Light:



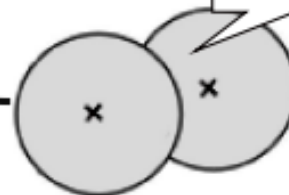
Unfasten the screws on both sides to take out the light box.



Unfasten the screws under the light box




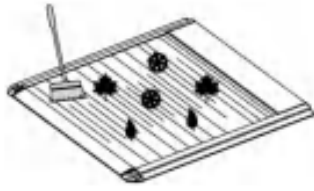
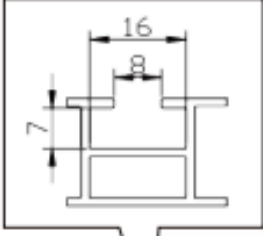
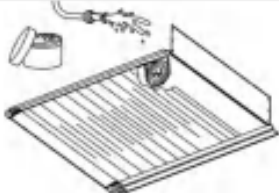
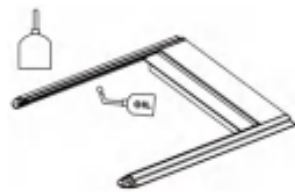
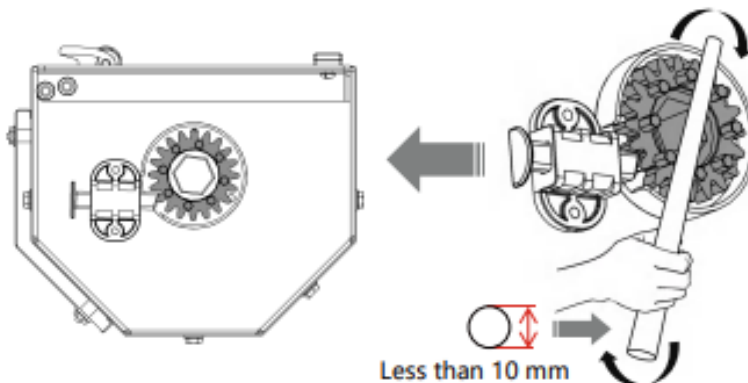
CR2450



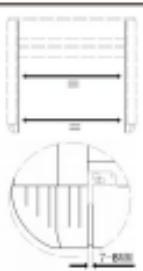


Replace with new batteries and install the light box back to the roller. Please pay attention to the +/- pole of the batteries during installation.

4. Maintenance

4.1 Daily Maintenance

 <p>Keep the drainpipe free from blockage.</p>	 <p>Please clear the litter before use.</p>	 <p>Compatibility: M8 bolt.</p>
 <p>Clean and lubricate the canister every 6 months.</p>	 <p>Clean and lubricate the track every 3 months.</p>	
 <p>Less than 10 mm</p>		<p>If the shutter recovery speed is slow, strength is small, you can use a screwdriver, hexagon wrench and other stick objects, clockwise rotation can be. Note: this operation does not need to pull the torsion spring control block.</p>

4.2 Common Problem Solution

Number	Common fault phenomenon	Analysis	Pics	Solutions
1	Abnormal sound-2 short	1.Side bars are instal led inward or outwa rd and not placed parallel. 2.Big resistance leads to non-smooth op eration. 3.Side barsde- form due to heavy load for sport bar/ladder rack etc.		1. Use the installation gauges. 2. Adjust the side bar installation to make sure the front and rear distance are the same. 3. Pull the roller out completely and measure the gap between tailgate bar and side bar ends, gap between 7-8mm is the best. 4. Check if the side bar is deformed by the pressure of other heavy load parts. 5.Adjust the brackets of side bar instal- lation, to make sure the side bars are parallel to the roller.
2	Abnor- mal sound-4 short	No Hall signal detected.		1.Unplug and replug the controller connector as well as the motor. 2.Replace the controller or motor.
3	The remote key can not control the cover	1.The cover not power on. 2.Low battery in the remote key. 3.Unmatched co de with controll er.		1.Check if the LED light on controller is flash- ing to confirm power supply is okay. If no power, check if the positive fuse od roller burnt out. 2.Check if the indicator on remote key is obviously dimmed or no light when you press the button, then replace battery. 3.Do code match for the remotes.

5. Helpful Maintenance Hints

1. To assure quiet and smooth operation of your roller, please regularly clean and lubricate the rail tracks and canister. It is recommended every 3 months or 6,000 km, or when you use it in muddy water, desert, Gobi desert, etc. Please focus on cleaning the side rails and the spiral track inside the container which may have sand, sludge, gravel and other sundry inside. Please use the lubricants we offered or other brand silicone oil-type lubricants after cleaning, and increase the frequency of using lubricants based on actual situation. Avoid using petroleum-based product on rubber seals. Lighter oil spray lubes with PTFE (Teflon) seem to work the best when regularly wiped out and reapplied.

2. Avoid the thicker grease type because they tend to get sticky and gather a lot of dust and debris and then later dry out. Also Avoid the silicone dry lubes as they tend to cause squealing noise between the sliding components. 3. Please make sure the roller is in a stop status before cleaning/lubricating, to avoid causing extrusion or collision injury.

4. To clean the rail tracks and the spiral track inside the container, please apply the lubricant to a rag and wipe it

inside of the rail tracks, along the underside of the sweep seal and the top of the wear strip. Repeat until the dust has been removed. You can also use a high-pressure water gun if necessary and then make sure all components have been lubricated. Please do not direct aiming the high-pressure water gun to the motor/ECU/connector when cleaning, and do some necessary waterproof protection for connectors/plugs.

5. To clean the canister, remove the rail stops, or vertical rails as required, and run the cover out far enough that you can get into the canister. Apply the lubricant to a rag and wipe the inside of the canister, including all components inside the canister. Ensure the Drain Tubes are clear of any debris or blockage. Reassembly the cover .

6. If you find that the brightness of the remote control signal indicator light is obviously weakened, or the button

indicator light does not on, please replace the battery in time (battery model: CR2450).

7. To keep the roller in tip-top condition, we recommend washing it the same as caring for your truck finish. A lack of proper cleaning and maintenance can affect the operation of the product and reduce its life.

8. Do not attempt to drive with the tail panel in the partially open position.

9. Tonneau cover must be free of foreign material including snow and ice before opening panels.

10. Do not tow your vehicle from the rear with the tonneau on your truck.

11. Do not operate vehicle with objects on top of cover.

Failure to follow these cautions may result in severe damage and will void your warranty.