



Resolute

Mortice Smart Lock



The Schlage Resolute smart lock provides keyless convenience for a modern look to any entrance.

The Schlage Resolute provides a simple keyless solution with access via keypad, Bluetooth, or key tags. It seamlessly integrates with the Schlage Breeze app, to easily manage and monitor the lock via a mobile phone.

The wide style escutcheon of the Schlage Resolute and options available for mortice lock provide options for retrofitting from existing mechanical door hardware.

Features

- Simple access including keypad, key tags, app or back-up key
- Easy to set up and program using the Schlage Breeze app, program access codes for temporary or recurring visitors
- Send virtual keys to guests, via text message from the Schlage Breeze app
- Use voice commands via Amazon Alexa or Google Assistant
- Firmware updates through the app ensure future compatibility
- Convenience of passage or auto locking modes for easy access
- Built-in alarm technology senses potential security breaches at the lock
- Audit trail allows you to see who has used the lock and when
- Random PIN number function protects your entry code
- Low battery notification offers weeks of advanced warning for battery replacement
- Get real-time connectivity with the Schlage Wi-Fi Bridge (BZ100) optional accessory

Warranties	
Mechanical	2 years
Finish	allegion.co.nz/finisheswarranty
Electronic	2 years

Technical specifications

Hardware Specification

Materials	304SS body and lever
Finishes	Silver or Black
Keypad	12 keys with individual LED illumination
Feedback	Voice guidance, audible tones and LED indicators
Lock type	Mortice lock included
Temperature range	-30°C to 55°C
Humidity	0 to 95%, non condensing
Suitable environment	Recommended for aluminium or timber
Batteries	4x 1.5V AA alkaline batteries
Battery life	Approximately 6-12 months (10 uses per day)
Door thickness	35-70mm
External body dimensions	303mm x 73mm x 27mm (L x W x D)
Internal body dimensions	303mm x 73mm x 27mm (L x W x D)

Access Specification

Access methods	Keypad, key tag, Bluetooth app, or Wi-Fi via bridge
Bluetooth app	Schlage Breeze
Key override	Override cylinder with 2 keys
Number of users	500
Key tags	Up to 200 (3x tags included)
PIN code	Up to 150
PIN code length	4-9 digits
Verification time	<1s

Lock Functions

Low battery alarm	Yes
Built-in alarm technology	Yes
Incorrect PIN code lockout alarm	Yes
Passage mode	Yes (via app)
One-time password	Yes
Remote unlocking	Yes (via Schlage Wi-Fi Bridge BZ100)
Generate random PIN codes remotely	Yes
Create custom PIN codes remotely	Yes (via Schlage Wi-Fi Bridge BZ100)
Bluetooth app	Yes (required for setup)

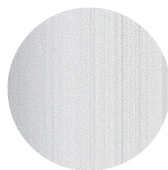
App Specification (Schlage Breeze)

Platform	iPhone (iOS 9.0 and above) Android (4.4 and above)
Languages	English, Japanese, Korean, French, Dutch, Italian, Spanish, German, Portuguese, Polish, Russian, Vietnamese, Arabic, Slovak, Serbian, Malay, Hungarian, Czech, Hebrew, Simplified Chinese, Traditional Chinese (Hong Kong), Traditional Chinese (Taiwan)
Device management	Add, modify, remove, check status
Functions	Lock/unlock, send mobile credentials, add users, and check audit trail

Finishes

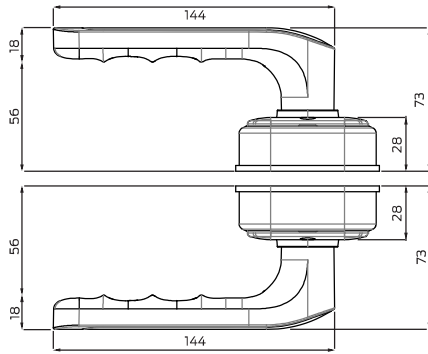


Black
Black



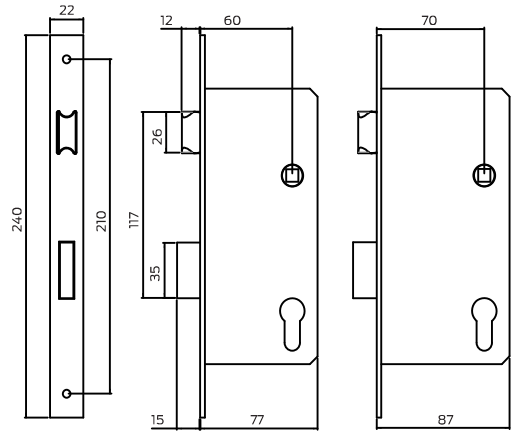
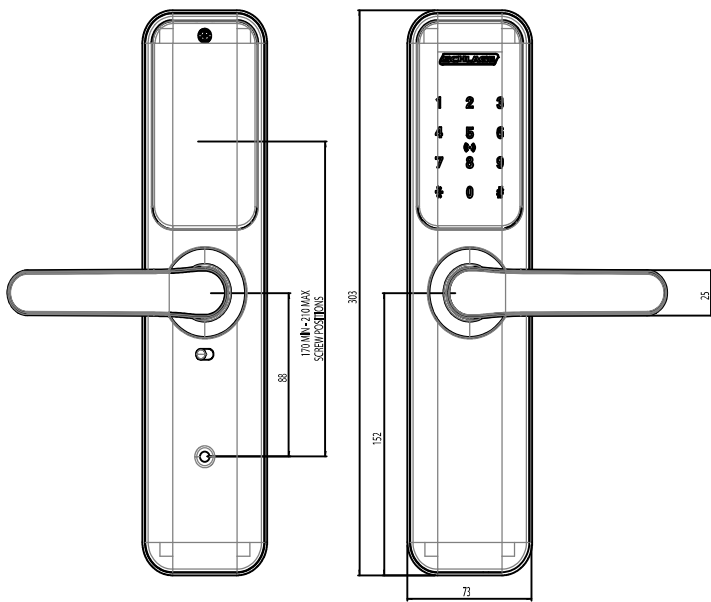
SE
Silver

Schlage Resolute



External lock body

Internal lock body



Schlage Resolute Accessories

Schlage Wi-Fi Bridge BZ100

Compatible with	Schlage Artus, Schlage Resolute, Schlage Omnia and Schlage eGO Smart Locks
Model	Schlage Wi-Fi Bridge (BZ100)
Dimensions	70mm x 70mm x 26mm
Network	Wi-Fi 2.4GHz
IEEE standard	802.11 b/g/n
Power interface	Type-C USB
Power input	5V/500mA
Warranty	1 year

