



appLOK™

S200BL

Smart & convenient security for your home or Air BnB property

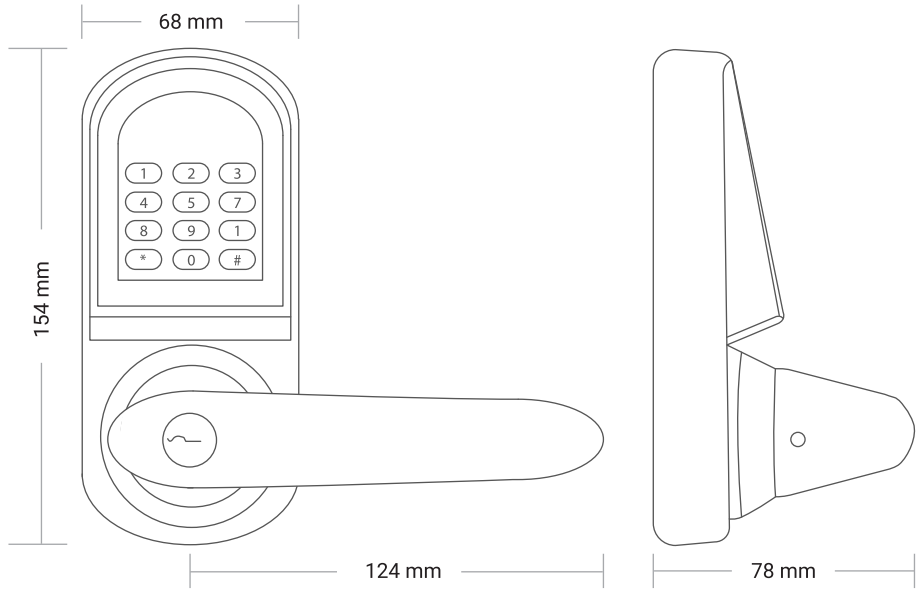
SMART APP OPERATED LOCKS



DESIGNED IN NEW ZEALAND BY

LOKtouch™

www.loktouch.com



Easily manage your property access with smart app operated locksets

appLOK™ is a series of smart APP operated locksets covering various installation applications for residential and rental properties. All locks and key boxes connect to a simple yet smart mobile APP that utilizes Bluetooth technology to set up and manage your property access requirements.

Property owners and managers can set various opening times either directly at the door via Bluetooth or remotely using the App or Wi-Fi functions. Remote code access is also available without connecting to the lockset using the unique built-in code algorithm system. All locks in the series have a range of opening options, including RFID tags, Fingerprint, Code pad, Phone, and mechanical key.

TECHNICAL PARAMETERS

| | |
|----------------------------|--------------------|
| Power Source | 4x AA Batteries |
| Working Environment | -40 to +80C |
| Door Width | 35mm – 50mm |
| Backset | 60/70mm Adjustable |
| Emergency power source | 9V battery |
| Low battery indicator | Yes |
| Override key | Yes |
| IP Rating | IP55 |
| Warranty | 2 Year |
| Number of Card/Tags | N/A |
| Number of Fingerprints | N/A |
| Number of Customized Codes | 150 |
| Number of E-codes | Unrestricted |
| Number of E-Keys | Unrestricted |
| Construction Material | Stainless Steel |
| Gateway function | YES |
| Remote Opening | YES |
| One time opening | Yes |
| Anti-spy opening | YES |
| Time-restricted opening | YES |
| Certification | RoHS/CE |



New Zealand Distributor:

Levco Agencies Ltd
 28 Glover Street
 Ngauranga
 Wellington
 Ph: +64 4 473 3025
 Fax: +64 4 4710316
 Email: sales@levco.co.nz

Visit our website to view the full range of appLOKs