

## Sheds &amp; Garages

## LARGE T HANDLE

## APPLICATION

- Garage and shed doors
- Sheet metal furniture

## FEATURES &amp; SPECIFICATIONS

- Key locking handle with 8mm square drive for operation of locking cam
- Rear fix option (R) mounted via M5 tapped holes concealed underneath rose
- Front fix option (F) designed to use M5 coach bolts fitted from the front of the rose
- Diecast zinc handle and rose
- Available in bright chrome, satin chrome, and black
- Personalised lenscal design available

## CODE INFORMATION

## Key Series

Non-Locking Handle	--
200 combinations - non-master keying	01
200 combinations - master keying	02
2000 combinations - non-master keying	11
2000 combinations - master keying	12
CL - special combinations	CL
ES - special combinations	ES
FS - special combinations	FS

## Finish

Bright chrome	3
Satin chrome	4
Black	6

## Movement

180° movement	B
90° anti-clockwise movement to unlock	A
90° clockwise movement to unlock	C/S

Handle lockable and key removable in both positions



## ORDERING DETAILS

A/HG-fixing/key series/finish+movement/spindle+cam type      Ordering example: A/HG-R/01/3B/E--



**LOCKFOCUS**  
CREATING SOLUTIONS SINCE 1972

FREE PHONE: 1800 687 116  
Email: sales@lockfocus.com.au

15-17 Futura Road, Keysborough 3173  
Melbourne Victoria Australia  
T: 61 3 9798 1322 F: 61 3 9798 9652  
www.lockfocus.com.au

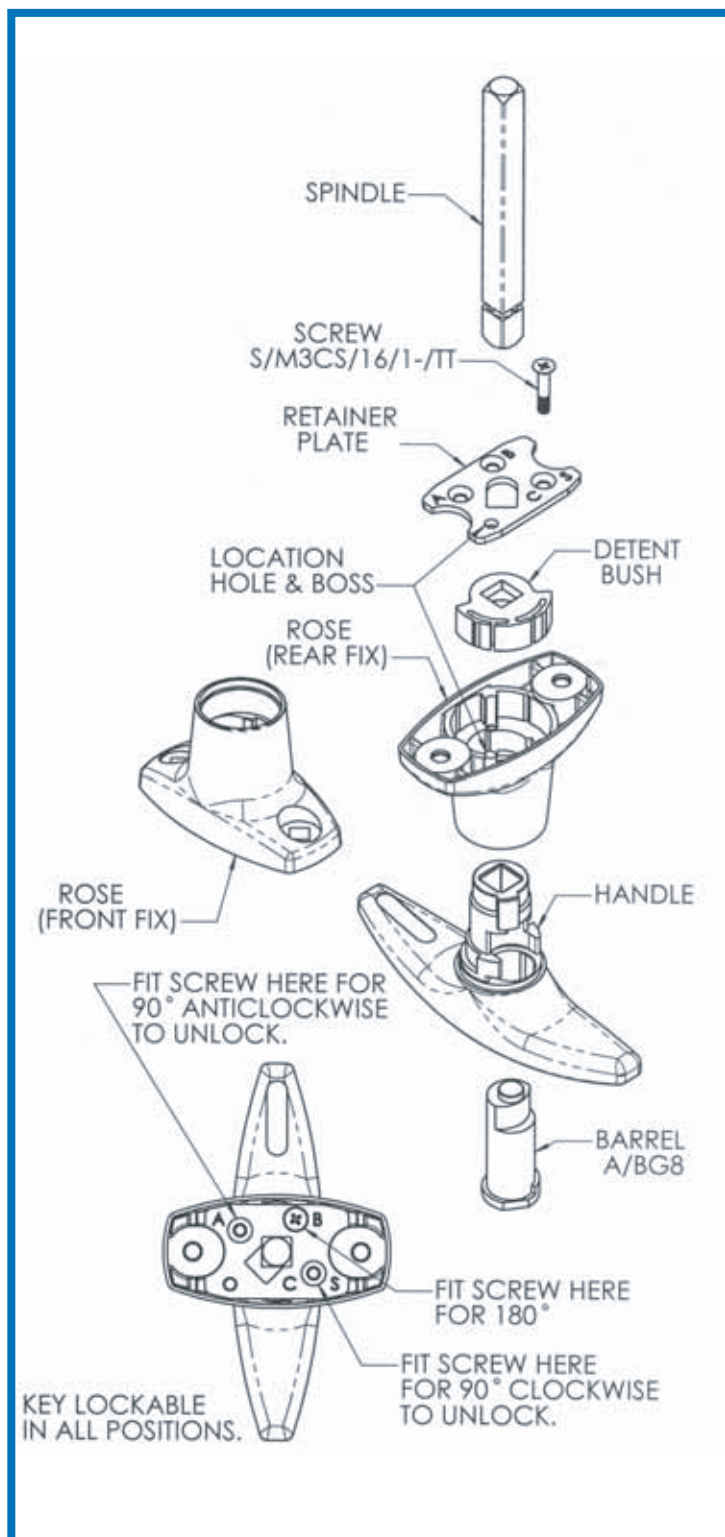
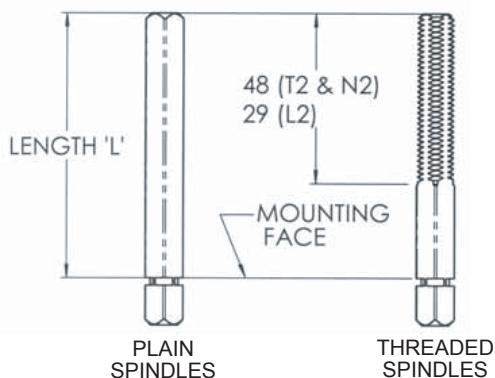
LOCK FOCUS    CREATING SOLUTIONS SINCE 1972

### ASSEMBLY INSTRUCTIONS

1. Assemble handle to rose and rotate clockwise over 1/4 turn
2. Assemble detent bush locating over lug on handle shaft
3. Assemble spindle to retainer plate by inserting into centre hole and moving spindle sideways to locate in groove
4. Assemble retainer plate/spindle to handle/rose by inserting spindle into square hole in detent bush and locating retainer plate in rose, with location hole aligned with boss
5. Insert screw into one of the three holes to suit movement required (A, B, or C/S) and tighten a maximum torque of 1.0Nm
6. Check function and assemble barrel to handle as required

### SPINDLES

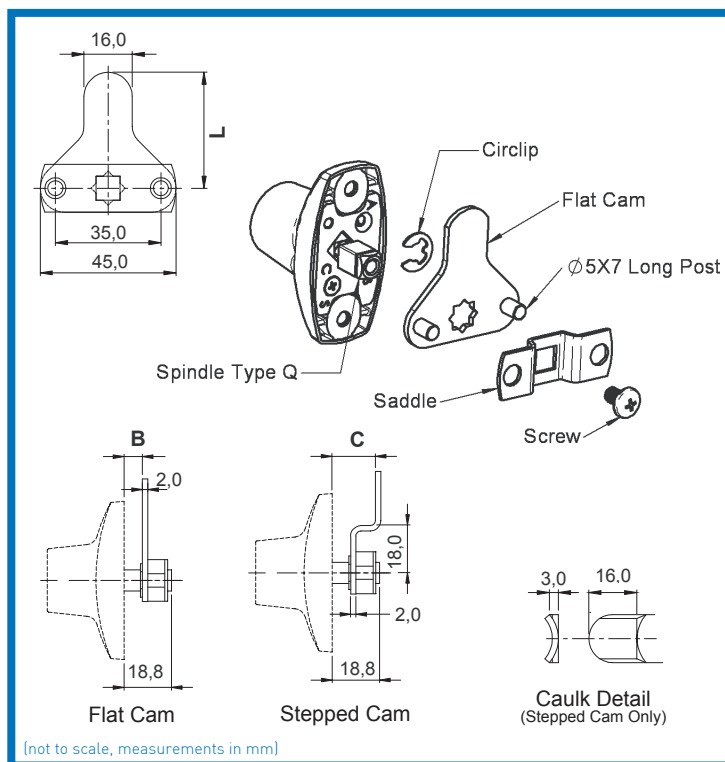
TYPE CODE	LENGTH	PLAIN	THREADED
B	32mm	T/SPIN/B2	
L	32mm		T/SPIN/L2
M	40mm	T/SPIN/M2	
C	44mm	T/SPIN/C2	
D	50mm	T/SPIN/D2	
T	50mm		T/SPIN/T2
N	62mm		T/SPIN/N2
E	75mm	T/SPIN/E2	
H	100mm	T/SPIN/H2	
F	136mm	T/SPIN/F2	



### 3-POINT LOCKING CAMS

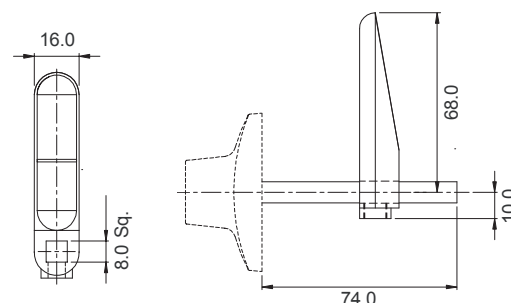
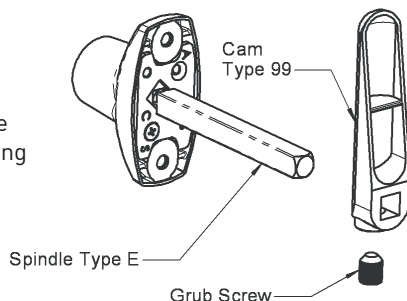
- Designed to be used with spindle type Q (see image for details)
- Cams available in flat or stepped. See table below for dimensional options
- Designed to be used with locking rods when required. To do this: remove split pin and take off saddle, fit locking bars, refit saddle, feed split pin through hole in the spindle, spread pin legs to secure

TYPE CODE	END DETAIL	DIM L	DIM B (FLAT)	DIM C (STEPPED)
71	FLAT	37	10.0	
72	FLAT	65	10.0	
73	CAULKED	63.5		13.2
74	CAULKED	57.5		19.5
75	CAULKED	54.5		22.7
76	CAULKED	51		26.0



### CAM TYPE 99

- Secured to spindle by M8 grub screw (standard recommended spindle: Type E)
- Distance from base of handle rose to cam can be adjusted by loosening grub screw and sliding cam along spindle



### CAM TYPE 89

- Cam is fixed to threaded spindle using two M10 nuts
- Distance from base of handle rose to cam can be adjusted by loosening nuts and sliding cam along spindle

