

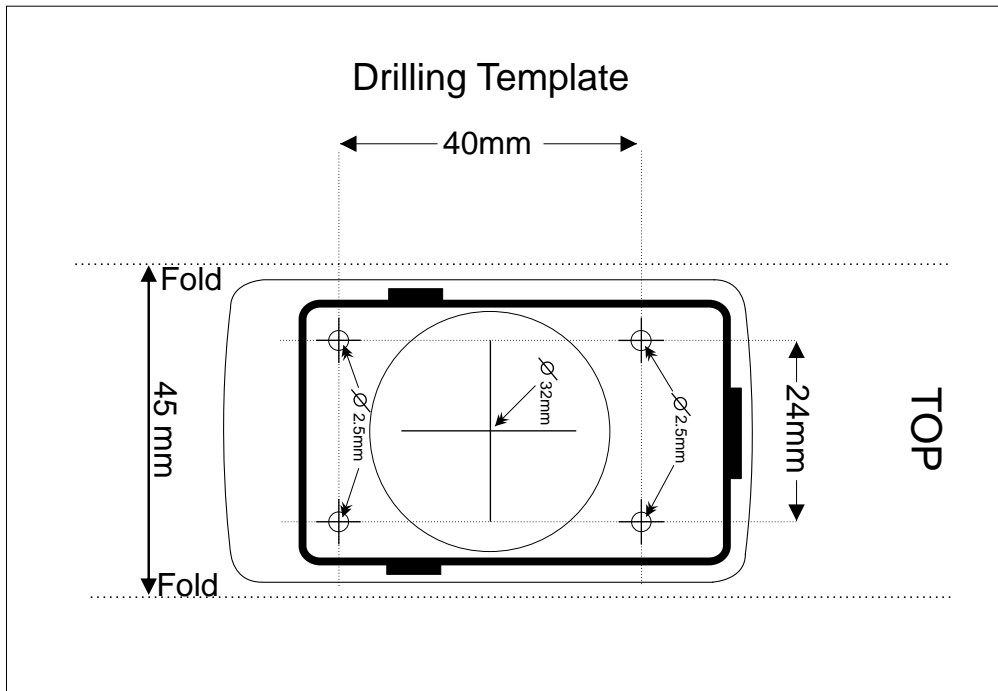
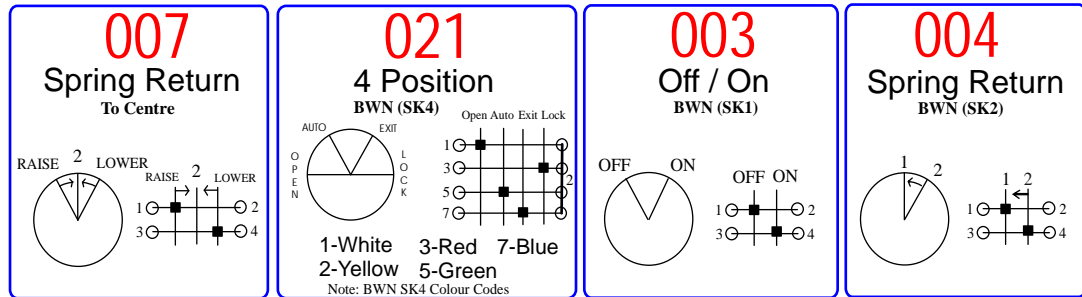
LOCK-IT-WELL

A Series Installation Notes Automatic Door Switch Information



Warning:

Qualified trades person may be required to install this product.
Check voltage and current capacity before installation.
Do not remove rear screws or disassemble switch.
Reassembly is not possible and voids warrantee.
The use of lubricants is not required and will void warrantee.



1. Insert 1.5mm allen key into cylinder and unwind anti-clockwise 10 turns or until a stop is felt.
2. Insert a key and turn against the allen key.
3. Pull cylinder out from lock face.
4. Slide up and lift off cover plate.
5. Drill four 2.5mm fixing holes using template provided.
6. Drill a 32mm hole using template provided.
7. Hook out cable through the centre hole.
8. Wire switch according to wiring diagram. Last 3 digits denote circuit diagram.
9. Carefully insert switch into centre hole (being careful not to damage cables).
10. Fix the switch using the four self tapping screws provided.
11. Replace front cover.
12. Replace cylinder.
Note: The tag position in the cavity and insert the cylinder with it's corresponding tag lined up. The key must be turned against the allen key to insert. Remove the key and turn allen key clockwise until tight. (~ten turns.)
13. Final check for correct operation.